

# 12 VPC-3300S

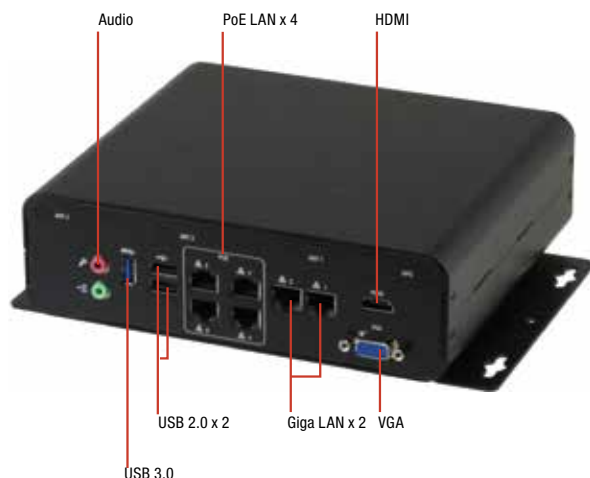
Network Video Recorder & Mobile NVR

In-Vehicle Network Video Recorder Platform with Intel® Celeron® J1900 Processor SoC

Front View

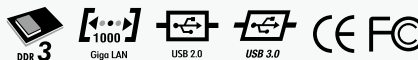


Rear View



## Features

- In-Vehicle Network Video Recorder Platform
- Fanless System
- 204-pin Single Channel DDR3L 1600 MHz SODIMM up to 8 GB
- Intel® Integrated Graphics Engine Supports Dual Independent Display by VGA x 1, HDMI x 1
- Realtek® Ethernet Connection x 6 w/4 Port POE
- Mini-PCIe Socket x 3 (Full Card Size) , (1 x w/ USB)
- Built-in CAN 2.0B. Optional OBDII Function (SAE J1939/J1708)(UART Interface)
- EMARK Certified

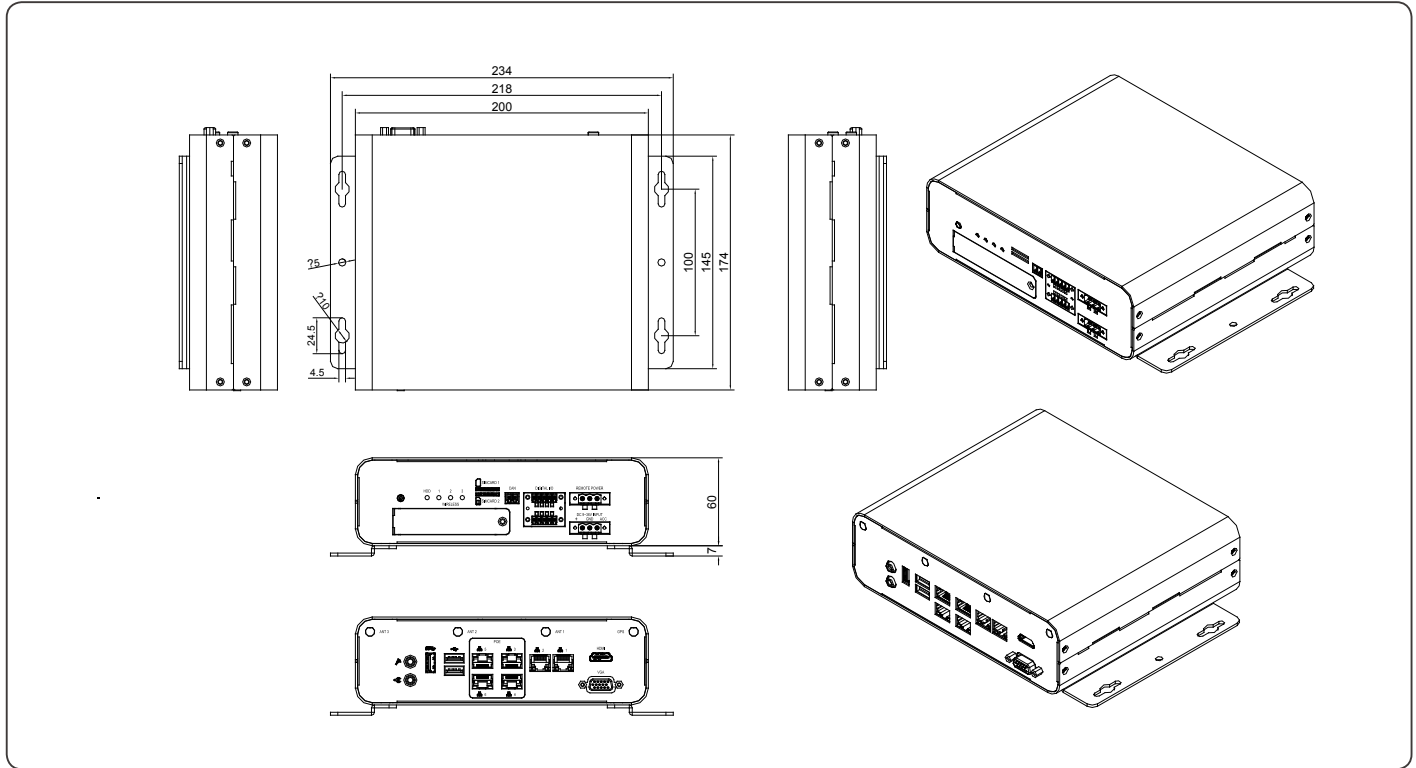


## Specifications

System	
Form Factor	In-Vehicle NVR
Processor	Intel® Celeron® J1900 Processor
Chipset	Quad Core SoC
Main Memory	Up to 8GB, DDR3L 204-pin SODIMM
Display	VGA x 1, HDMI x 1
Ethernet	10/100/1000Base-TX x 6
PoE Ethernet Port	4 ports
RAID support	0/1
Expansion Slot	Mini-Card x 3 Built-in CAN 2.0B x 1
GPS	On board (GPS/GLOS)
Front I/O Panel	Power Button x 1 Power Input x 1 Remote Power x 1 3G/4G/WiFi LED x 3 SIM slot x 2 HDD LED x 1 CanBus connector x 1 8bit DIO x 1, 4-ch digital input (Wet/dry contact with Isolation Protection 3,000 VDC) , 4-ch digital output (Compatible 5 V/TTL, 31 mA max. per channel)
Rear I/O Panel	VGA out x 1, HDMI x 1 GbE port (RJ-45) x 2 PoE LAN x 4 USB2.0 x 2, USB3.0 x 1 Audio Line-out x 1, Mic-In x 1
Storage	
HDD Tray	2.5" HDD/SSD Bay x 1
CF/CFast/mSATA Slot	mSATA Slot x 1 (default; colay w/ 2.5" HDD x 1)
Environmental	
Operating Temperature	-4°F ~ 158°F (-20°C ~ 70°C)
Storage Temperature	-40°F ~ 185°F (-40°C ~ 85°C)
Storage Humidity	10%~80% @40°C, non-condensing
Vibration/Shock	MIL-STD-810G
Certification	CE & FCC Class A, EMARK
Power Requirement	
Power Supply	DC 9-36V, with Ignition Pin
Mechanical	
Removable HDD Tray	2.5" HDD x 2 (Optional, MOQ apply)
Internal System HDD Bay	2.5" HDD x 1 (Optional SKU if support HDD x 2)
Dimension	6.85" x 7.87" x 2.36" (174mm x 200mm x 60mm)
Gross Weight	5.7 lb (2.6 kg)
Note	—

## Dimension

Unit: mm



## Ordering Information

Part Number	Chipset	RAM	Cooler	Storage	RAID Support	Display	LAN	PoE	USB	RS-232	RS-232/422/485	Expansion Slot	Form Factor	Power
VPC-3300S-14-A10-W1	Intel® J1900 SoC	8 GB, DDR3L 204-pin SODIMM	Fanless	2.5" HDD tray x 1, mSATA slot x 1 (Optional SKU if support HDD x 2)	0/1	VGA x 1, HDMI x 1	GbE x 6	4 Ports	USB3.0 x 1, UBS2.0 x 2	—	—	Mini-Card x 3 Built-in CAN2.0B x 1	Desktop	DC 9 - 36V
VPC-3300S-14-A10-W11	Intel® J1900 SoC	2 GB, DDR3L 204-pin SODIMM	Fanless	2.5" HDD tray x 1, mSATA slot x 1 (Optional SKU if support HDD x 2)	0/1	VGA x 1, HDMI x 1	GbE x 6	4 Ports	USB3.0 x 1, UBS2.0 x 2	—	—	Mini-Card x 3 Built-in CAN2.0B x 1	Desktop	DC 9 - 36V
VPC-3300S-14-A10-W12	Intel® J1900 SoC	4 GB, DDR3L 204-pin SODIMM	Fanless	2.5" HDD tray x 1, mSATA slot x 1 (Optional SKU if support HDD x 2)	0/1	VGA x 1, HDMI x 1	GbE x 6	4 Ports	USB3.0 x 1, UBS2.0 x 2	—	—	Mini-Card x 3 Built-in CAN2.0B x 1	Desktop	DC 9 - 36V

## Packing List

- Product CD
- VPC-3300S

## Optional Accessories

- **1255901204**  
120W Adapter, AC Input, 19V DC for VPC Series
- **9741909A00**  
WiFi Module Kit, 802.11 a/b/g/n + BT 4.0, (Bointec DPE-909AA), with Cable & Antenna
- **17599RFA0B**  
WiFi Antenna
- **1700010252**  
WiFi Coaxial Cable
- **978966660G**  
GPS Antenna
- **9741809000**  
3G Module Kit, with Cable and Antenna, Sierra, MC8090
- **17599RFA09**  
3G Antenna
- **1700010255**  
3G Coaxial Cable
- **9741EC20E0**  
PCIe Mini Card, 4G LTE Module Kit for Europe/Asia, Quectel, EC20-E