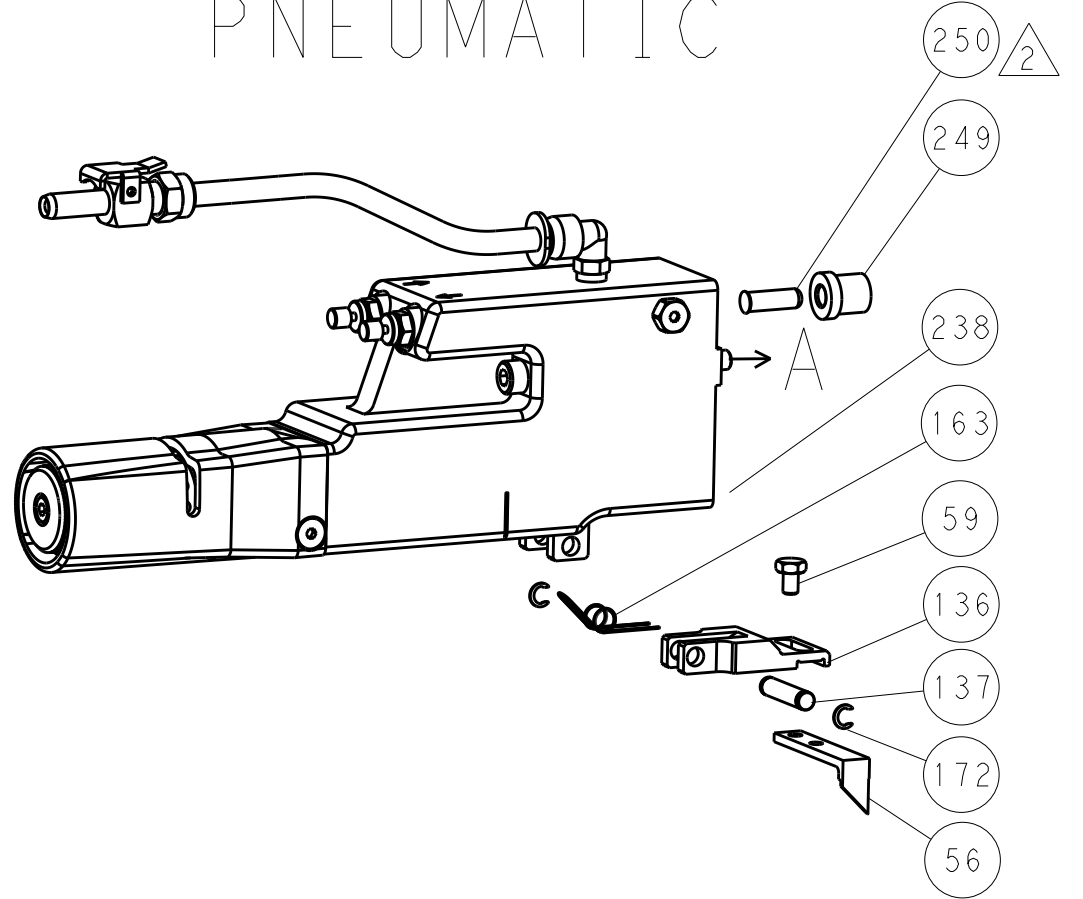


REVISONS		DATE	OWN	APVD
A	66			
DESCRIPTION				
SEE SHEET 1				

FEED TYPE MECHANICAL



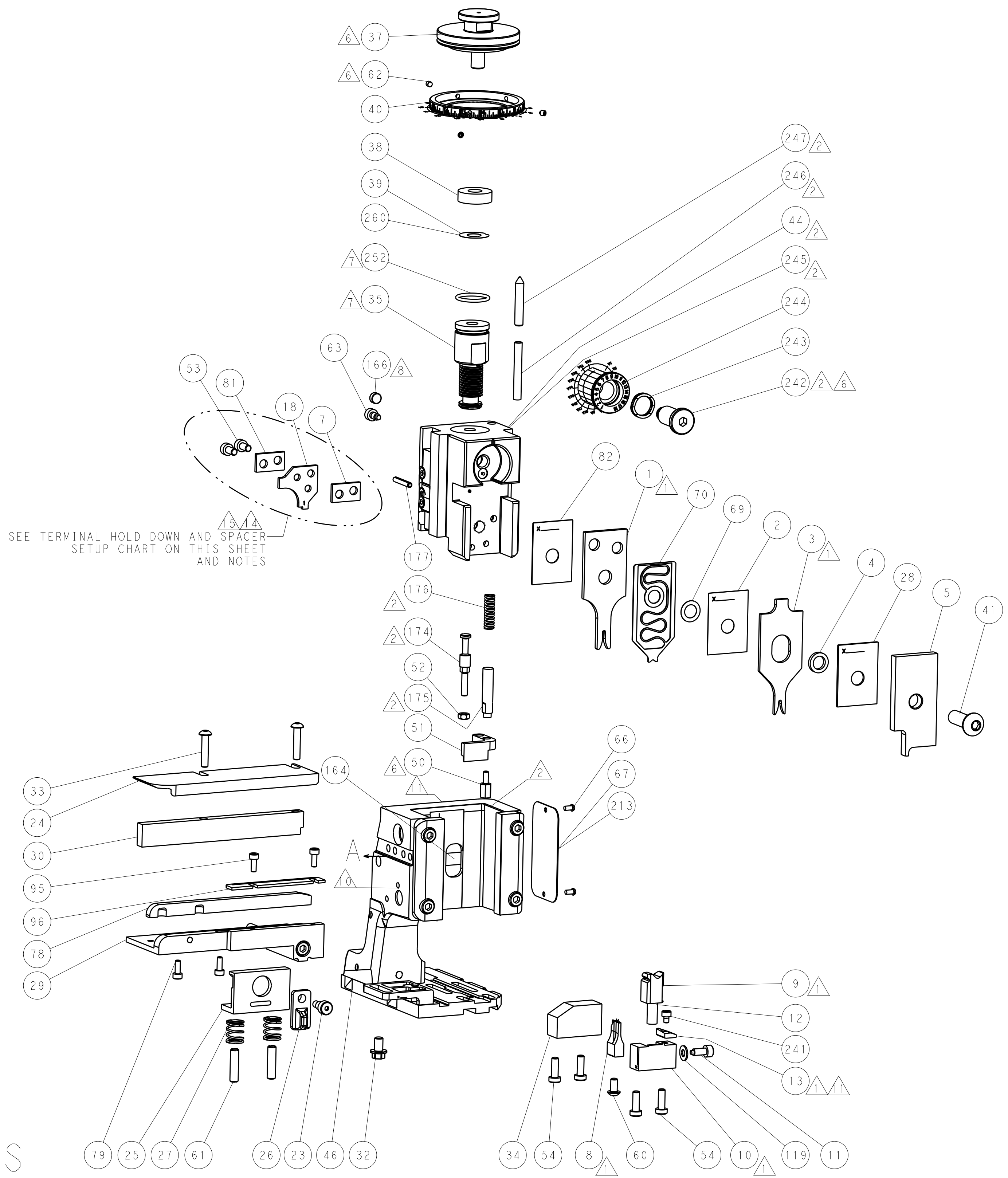
PNEUMATIC



SERVO LATCH PLATE



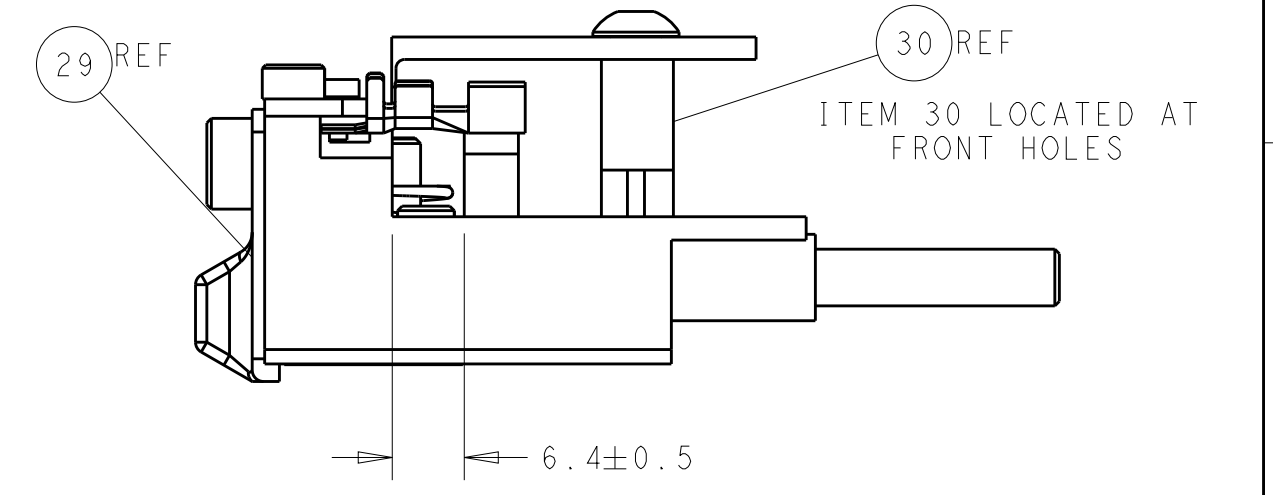
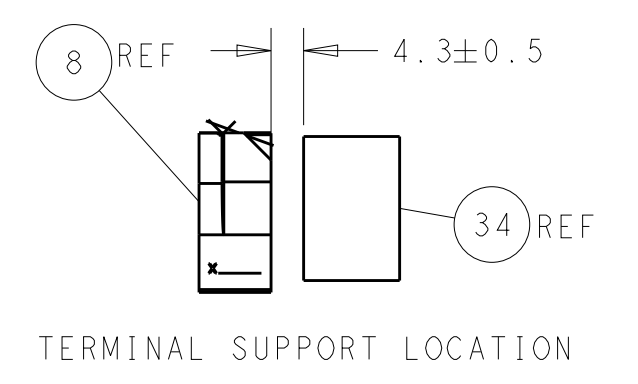
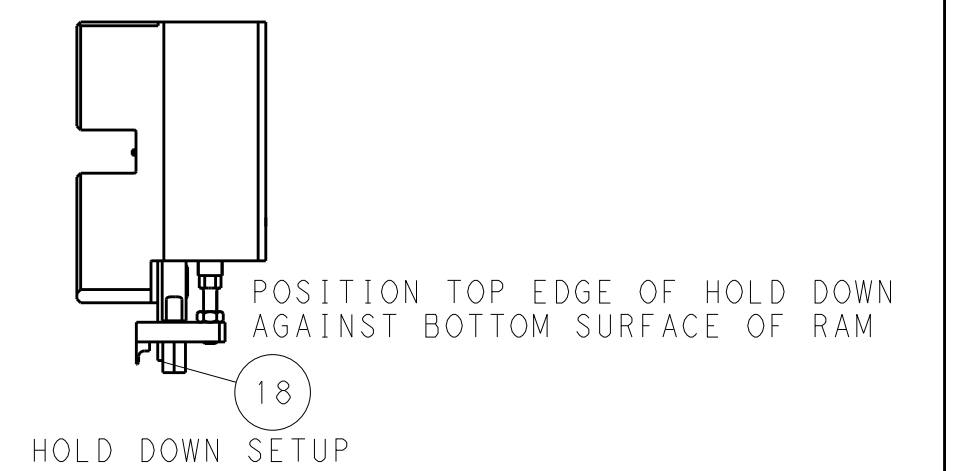
CAM POSITIONS



SEE TERMINAL HOLD DOWN AND SPACER SETUP CHART ON THIS SHEET AND NOTES

TERMINAL HOLD DOWN & SPACER SETUP CHART

GROUP	HOLD DOWN & SPACER TOOLING SETUP FOR TERMINALS:	POSITION
GROUP 1	928999-1 1-928918-2	POSITION 1
	928999-5 2-928918-2	
	928999-6 3-928918-2	
	5-928999-1 5-928918-1	
	5-928999-5 6-928918-1	
GROUP 2	928918-2 6-928918-2	POSITION 2
	6-928999-5 6-928918-2	
	928918-1 1394702-1	
	928918-2 1394702-2	
	1-928918-1 5-1394702-1	
GROUP 2	968893-1 968893-1	POSITION 1
	968220-1 5-968220-6	
	968220-5 1703296-1	
	968220-6 1703296-5	
	5-968220-1 1534116-1	
GROUP 2	1241918-1 1241918-1	POSITION 2
	5-968220-5 5-1534116-1	

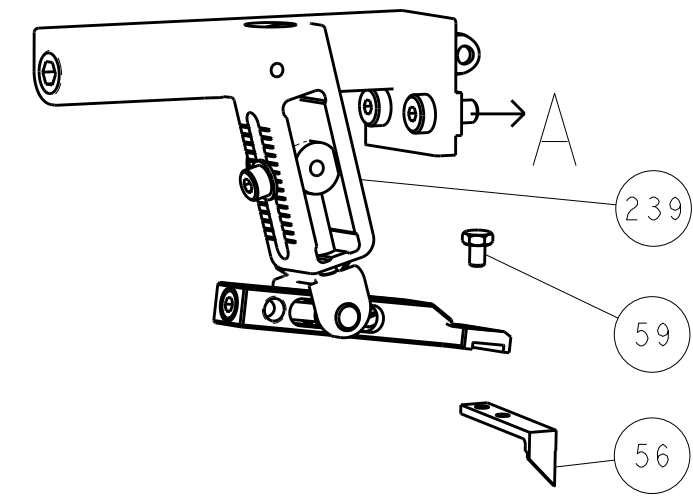


ATLANTIC VERSION
 Shown on sheets 1 of 4 & 2 of 4
 (Pacific version shown on sheets 3 of 4 & 4 of 4)

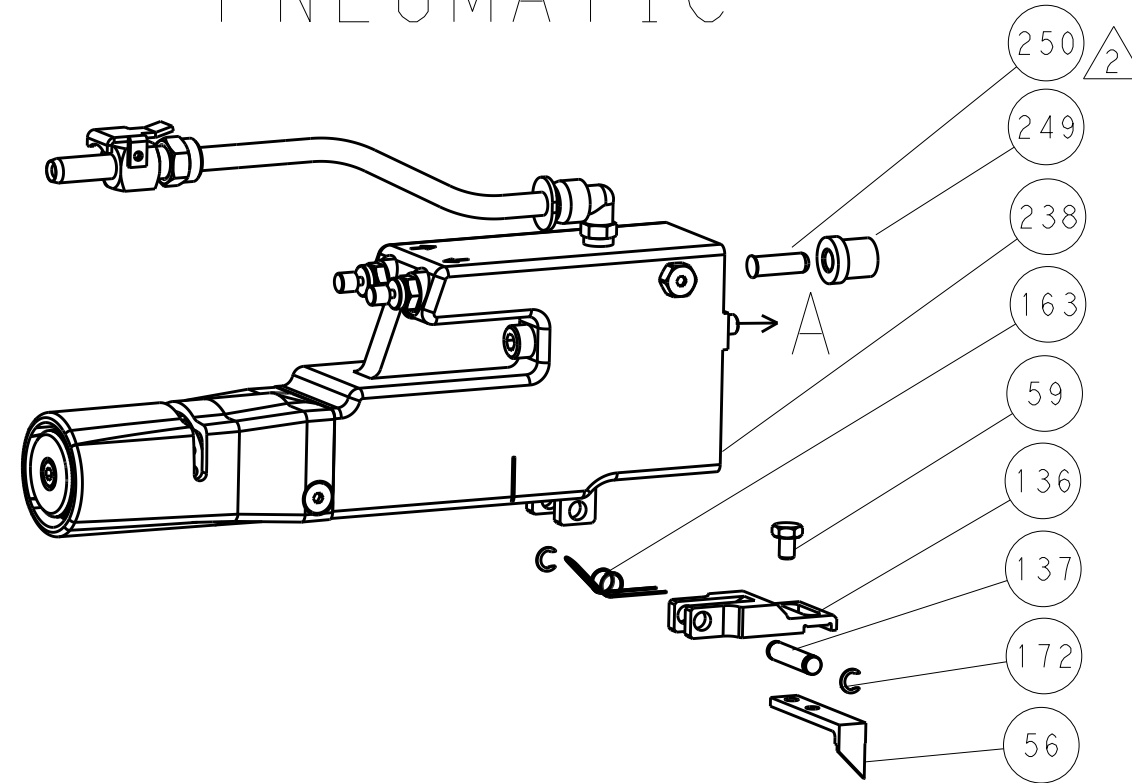
DIMENSIONS:		TOLERANCES UNLESS OTHERWISE SPECIFIED:		DRAWN: Y. YIN 26DEC2013		CHK: G. BAILEY 26DEC2013		APVD: H. GUO 26DEC2013		NAME: Ocean Side Feed Applicator	
mm	0 PLC ±	1 PLC ±	2 PLC ±	3 PLC ±	4 PLC ±	5 PLC ±	6 PLC ±	7 PLC ±	8 PLC ±	9 PLC ±	10 PLC ±
MATERIAL:	FINISH:	WEIGHT:	SCALE:	SIZE:	CAGE CODE:	DRAWING NO:	RESTRICTED TO:	Customer Accessible Production Drawing			
				SCALE:	1:2	SHEET:	2 of 4	REV: C2			

LOC	DIST	REV	DESCRIPTION	DATE	OWN	APVD
A	66		SEE SHEET 1			

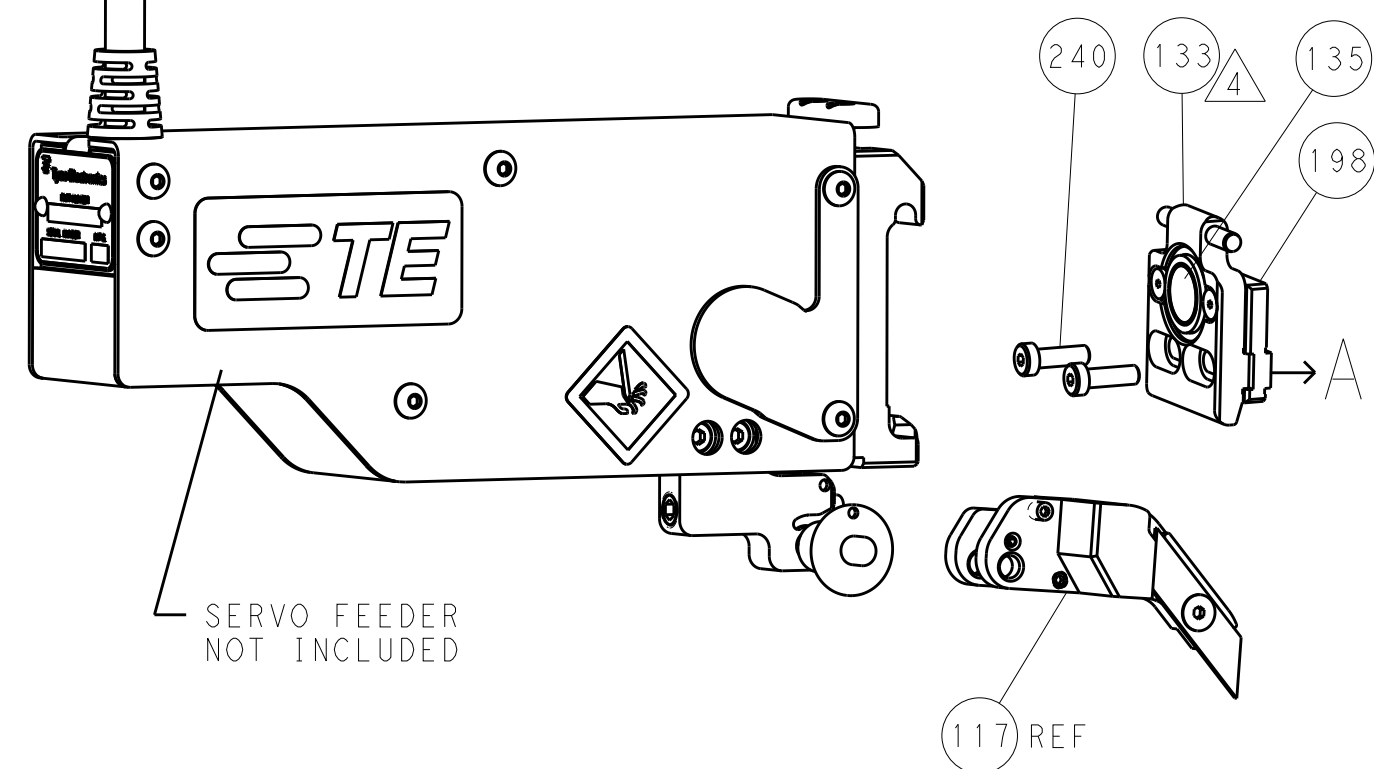
FEED TYPE MECHANICAL



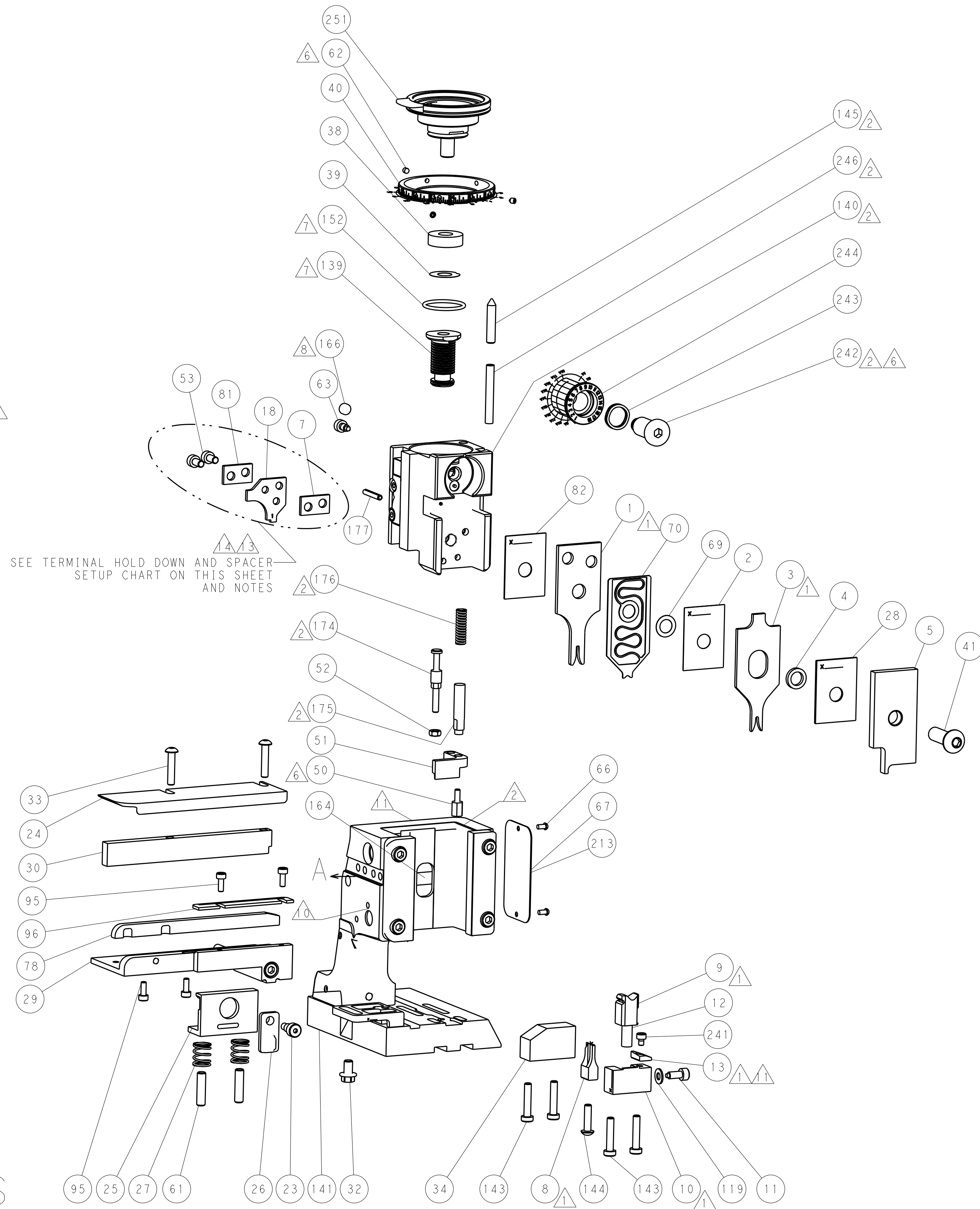
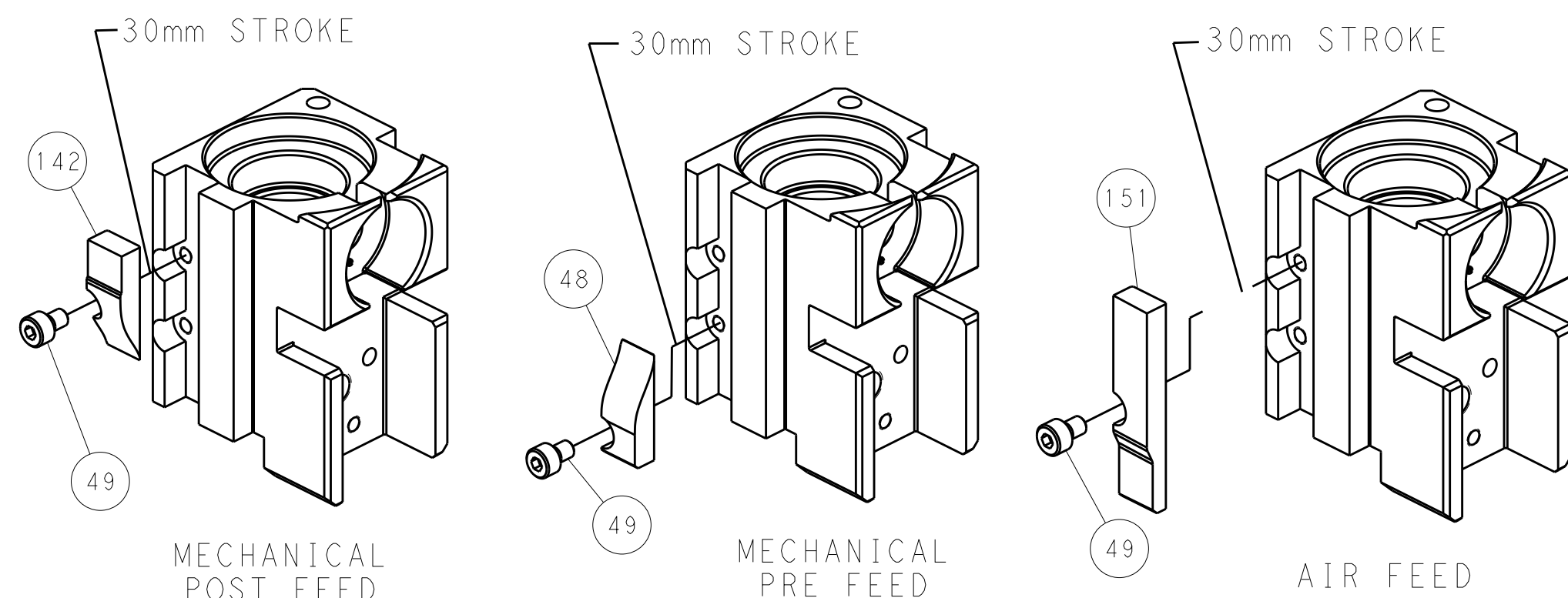
PNEUMATIC



SERVO LATCH PLATE



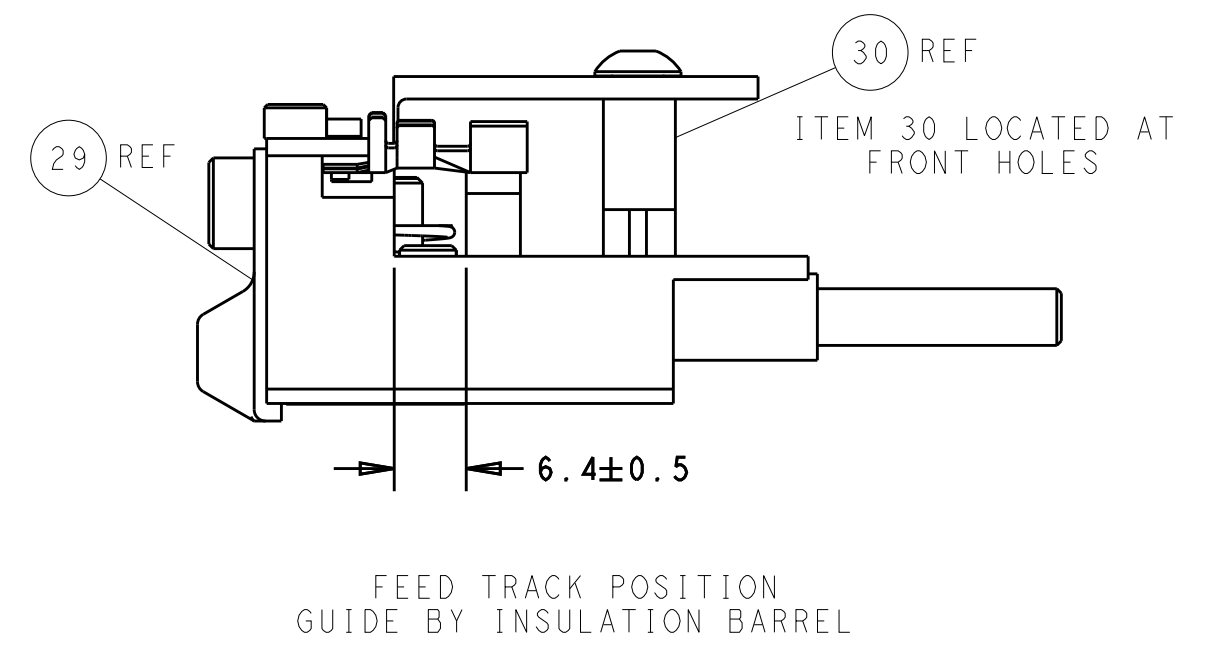
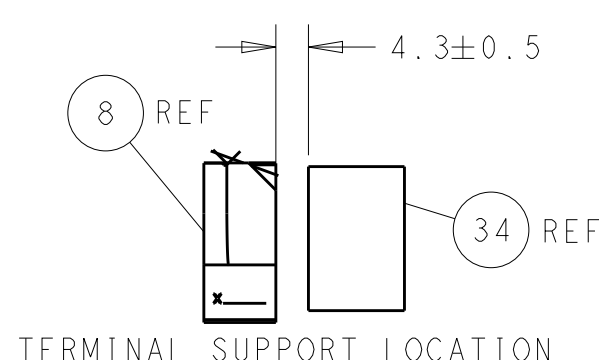
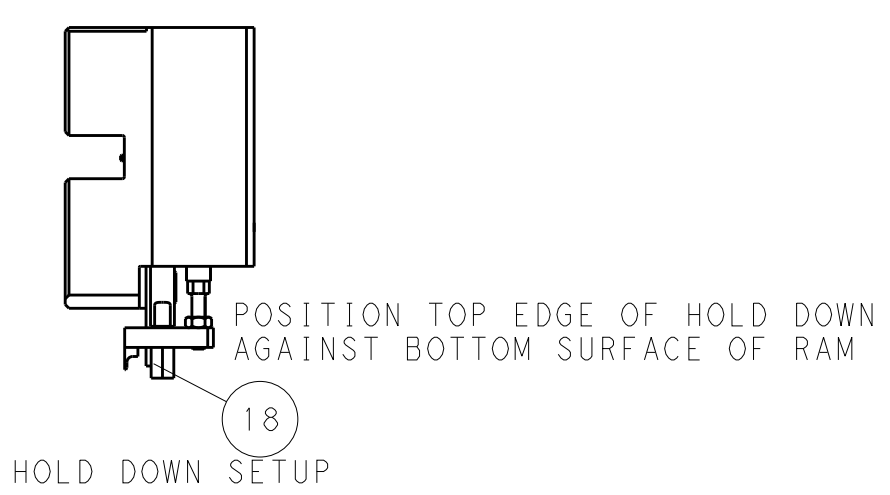
CAM POSITIONS



SEE TERMINAL HOLD DOWN AND SPACER SETUP CHART ON THIS SHEET AND NOTES

TERMINAL HOLD DOWN AND SPACER SETUP CHART

GROUP	HOLD DOWN & SPACER TOOLING SETUP FOR TERMINALS:	POSITION
GROUP 1	1-928918-2 2-928918-2 3-928918-2 5-928918-1 6-928918-1 5-928999-5 6-928918-2 5-928999-6 1394702-1 1394702-2 5-1394702-1 5-1394702-2	POSITION 1
	968893-1	POSITION 1
GROUP 2	5-968220-6 1703296-1 1703296-5 1534116-1 1534116-2 5-1534116-1	POSITION 2
	1241918-1	POSITION 2



PACIFIC VERSION
 Shown on sheets 3 of 4 & 4 of 4
 (Atlantic version shown on sheets 1 of 4 & 2 of 4)

DIMENSIONS:		TOLERANCES UNLESS OTHERWISE SPECIFIED:		DWN: Y. YIN 26DEC2013		CHK: G. BAILEY 26DEC2013		APVD: H. GUO 26DEC2013		NAME: Ocean Side Feed Applicator	
mm	0 PLC	±		SIZE	CAGE CODE	DRAWING NO	RESTRICTED TO	Customer Accessible Production Drawing			
	1 PLC	±		SCALE	1:2	SHEET 4 OF 4	REV C2				
	2 PLC	±									
	3 PLC	±									
	4 PLC	±									
	ANGLES	±									
MATERIAL	FINISH			WEIGHT	A1 00779 ©=2266152						