

507-013
Split Backshell for Cannon
DPKA, DPKB, and DPJM Series Connectors



ARINC Series
 400 (Cannon)

507-013 A M
 Basic Part No. _____
 Connector Symbol (Table I) _____
 Finish: _____

- B = Cadmium Plate/Olive Drab
- J = Iridite, Gold Over Cadmium Plate Over Nickel
- M = Electroless Nickel
- N = Cadmium Plate/Olive Drab over Nickel Plate
- T = Cadmium Plate, Bright Dip, Over Nickel (500 Hour Salt Spray)
- Omit for Cadmium Olive Drab Over Electroless Nickel (1000 Hour Salt Spray)

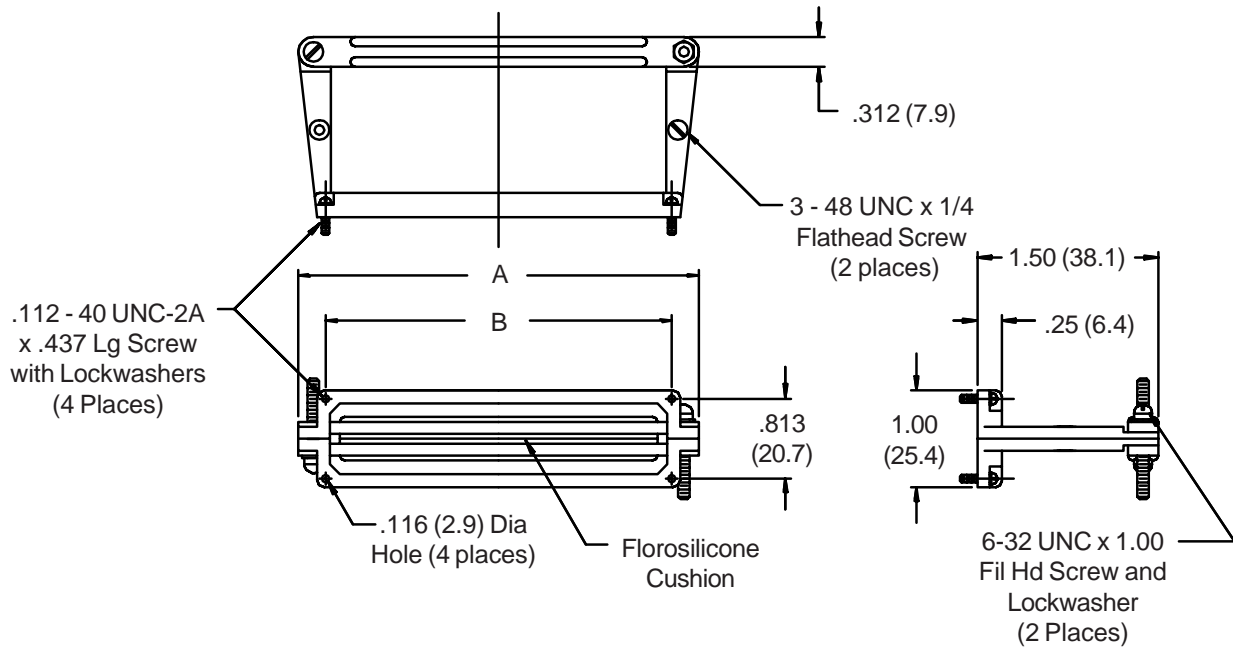


TABLE I: CONNECTOR INTERFACE DIMS

Connector Symbol	Connector Series	A ±.062 (1.6)	B ±.005 (.1)
A	DPKA	2.437 (61.9)	1.895 (48.1)
B	DPKB/DPJM	3.750 (95.3)	3.195 (81.2)

1. Metric dimensions (mm) are indicated in parentheses.
2. Material/Finish:
 Frame and Saddles = Al Alloy/Finish Per Part Number Development.
 Hardware = SST/Passivate
 Saddle Cushion = Fluorosilicone/N.A.