



Specification

KWT803-S

SSC		Customer
Drawn	Approval	Approval

Rev.08

Aug 2011

www.seoulsemicon.com

SSC- QP- 7- 07- 24 (Rev.00)

CONTENTS

1. Description
2. Absolute Maximum Ratings
3. Electro-Optical Characteristics
4. Optical characteristics
5. Reliability Test
6. Color & Binning
7. Bin Code Description
8. Outline Dimension
9. Reel Structure
10. Packing
11. Soldering
12. Precaution for use
13. Handling of Silicone Resin LEDs

KWT803-S

1. Description

This surface-mount LED comes in PLCC standard package dimension. It has a substrate made up of a molded plastic reflector sitting on top of a bent lead frame. The die is attached within the reflector cavity and the cavity is encapsulated by epoxy or silicone.

The package design coupled with careful selection of component materials allow these products to perform with high reliability in a larger temperature range 40 °C to 100 °C.



Features

- White colored SMT package
- InGaN material
- Suitable for all SMT assembly and soldering methods
- Pb-Free Reflow soldering application
- RoHS compliant

Applications

- Interior lighting
- General lighting
- Indoor and out door displays
- Architectural / Decorative lighting
- White Back-light

2. Absolute maximum ratings [1]

Parameter	Symbol	Value	Unit
Power Dissipation	P_d	111	mW
Forward Current	I_F	30	mA
Peak Forward Current	$I_{FM}^{[2]}$	90	mA
Reverse Voltage	V_R	5	V
Operating Temperature	T_{opr}	-40~+85	°C
Storage Temperature	T_{stg}	-40~+100	°C
Junction Temperature	T_j	125	°C

[1] Care is to be taken that power dissipation does not exceed the absolute maximum rating of the product.

[2] I_{FM} was measured at $T_w \leq 1$ msec of pulse width and $D \leq 1/10$ of duty ratio.

[3] LED's properties might be different from suggested values like above and below tables if operation condition will be exceeded our parameter range.

3. Electro-Optical characteristics

Parameter	Symbol	Condition	Min.	Typ.	Max.	Unit
Forward Voltage*	V_F	$I_F=20\text{mA}$	2.9	3.2	3.4	V
Reverse Current	I_R	$V_F=5\text{V}$	-	-	10	μA
Luminous Intensity* ^[1]	I_v	$I_F=20\text{mA}$	1,700	-	2,500	Mcd
Color Temperature	CCT	$I_F=20\text{mA}$	5,300	-	8,900	K
Viewing Angle ^[2]	$2\theta_{1/2}$	$I_F=20\text{mA}$	-	115	-	deg.
Color Rendering Index*	Ra	$I_F=20\text{mA}$	62	68	-	-
ESD (HBM)		1.5k Ω ; 100pF	1	-	-	KV
Thermal resistance ^[3]	R_{thJS}	$I_F=20\text{mA}$		76		°C/W

[1] The luminous intensity I_v was measured at the peak of the spatial pattern which may not be aligned with the mechanical axis of the LED package.

[2] $2\theta_{1/2}$ is the off-axis where the luminous intensity is 1/2 of the peak intensity.

[3] Thermal resistance: R_{thJS} (Junction / solder)

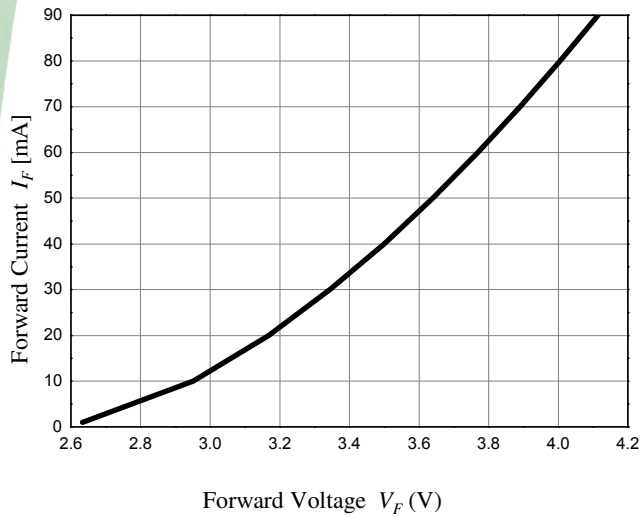
* Tolerance : $V_F : \pm 0.05\text{V}$, $I_v : \pm 10\%$, $R_a : \pm 3$, x, y : ± 0.01

[Note] All measurements were made under the standardized environment of SSC.

4. Optical characteristics

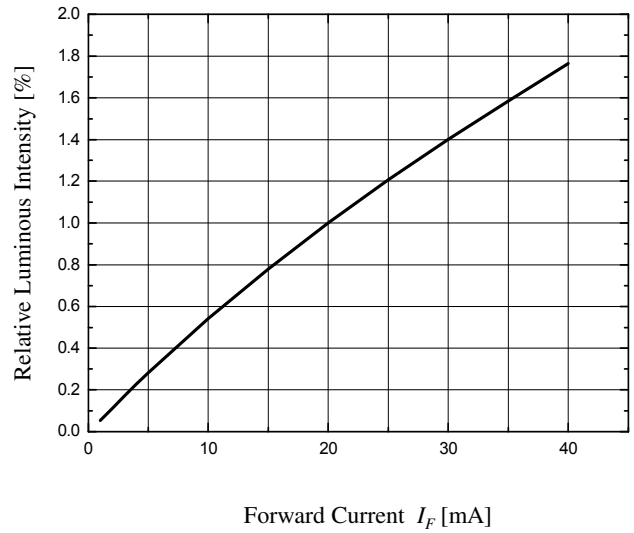
Forward Current vs. Forward Voltage

($T_a=25\text{ }^\circ\text{C}$)

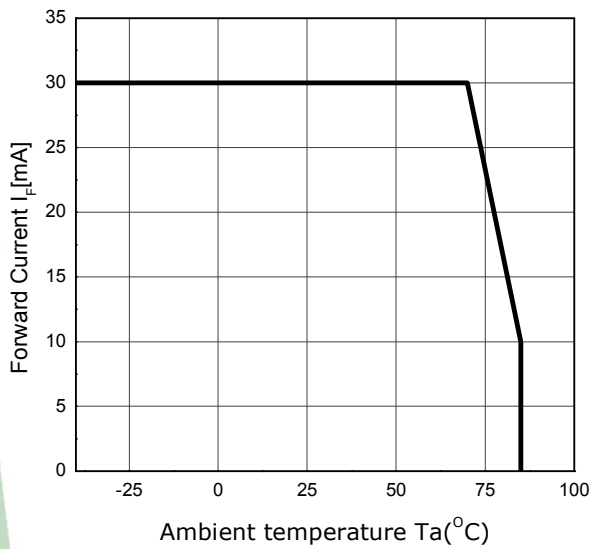


Relative Luminous Intensity vs Forward Current

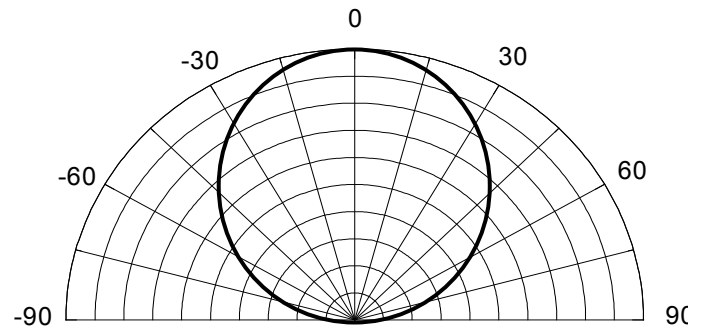
($T_a=25\text{ }^\circ\text{C}$)



Forward Current Derating Curve

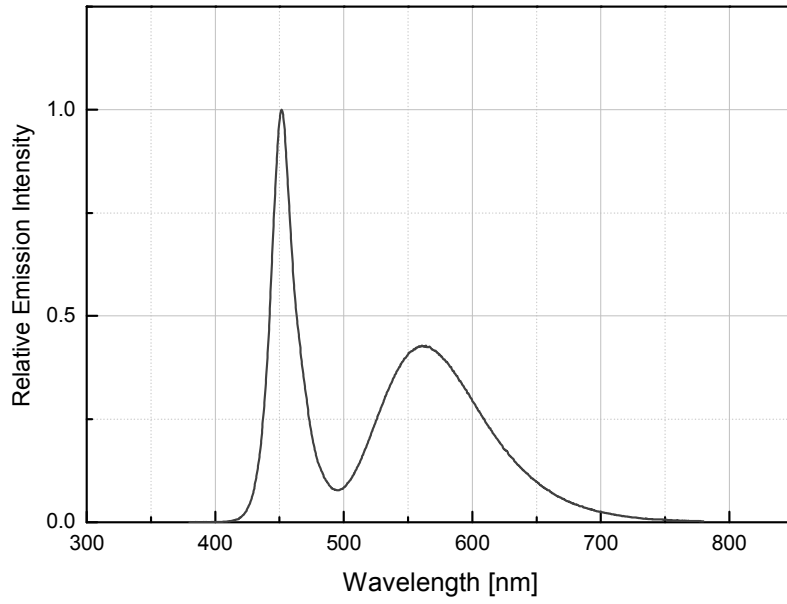


Radiation Diagram



4. Optical characteristics

Spectrum



5. Reliability Test

Item	Reference	Test Conditions	Duration / Cycle	Number of Damaged
Thermal Shock	EIAJ ED-4701	$T_a = -40^{\circ}\text{C}(30\text{min}) \sim 100^{\circ}\text{C}(30\text{min})$	100 Cycle	0/22
High Temperature Storage	EIAJ ED-4701	$T_a = 100^{\circ}\text{C}$	1000 Hours	0/22
High Temp. High Humidity Storage	EIAJ ED-4701	$T_a = 60^{\circ}\text{C}, \text{RH}=90\%$	1000 Hours	0/22
Low Temperature Storage	EIAJ ED-4701	$T_a = -40^{\circ}\text{C}$	1000 Hours	0/22
Operating Endurance Test	Internal Reference	$T_a = 25^{\circ}\text{C}, I_F = 20\text{mA}$	1000 Hours	0/22
High Temperature High Humidity Life Test	Internal Reference	$T_a = 60^{\circ}\text{C}, \text{RH}=90\%, I_F = 20\text{mA}$	500 Hours	0/22
High Temperature Life Test	Internal Reference	$T_a = 85^{\circ}\text{C}, I_F = 20\text{mA}$	500 Hours	0/22
Low Temperature Life Test	Internal Reference	$T_a = -40^{\circ}\text{C}, I_F = 20\text{mA}$	1000 Hours	0/22
ESD(HBM)	MIL-STD-883D	1KV at 1.5k Ω ; 100pF	3 Time	0/22

Criteria for Judging the Damage

Item	Symbol	Condition	Criteria for Judgement	
			MIN	MAX
Forward Voltage	V_F	$I_F = 20\text{mA}$	-	USL ^{*1} × 1.2
Luminous Intensity	I_V	$I_F = 20\text{mA}$	LSL ^{*2} × 0.5	-

Note : *1 USL : Upper Standard Level
 *2 LSL : Lower Standard Level

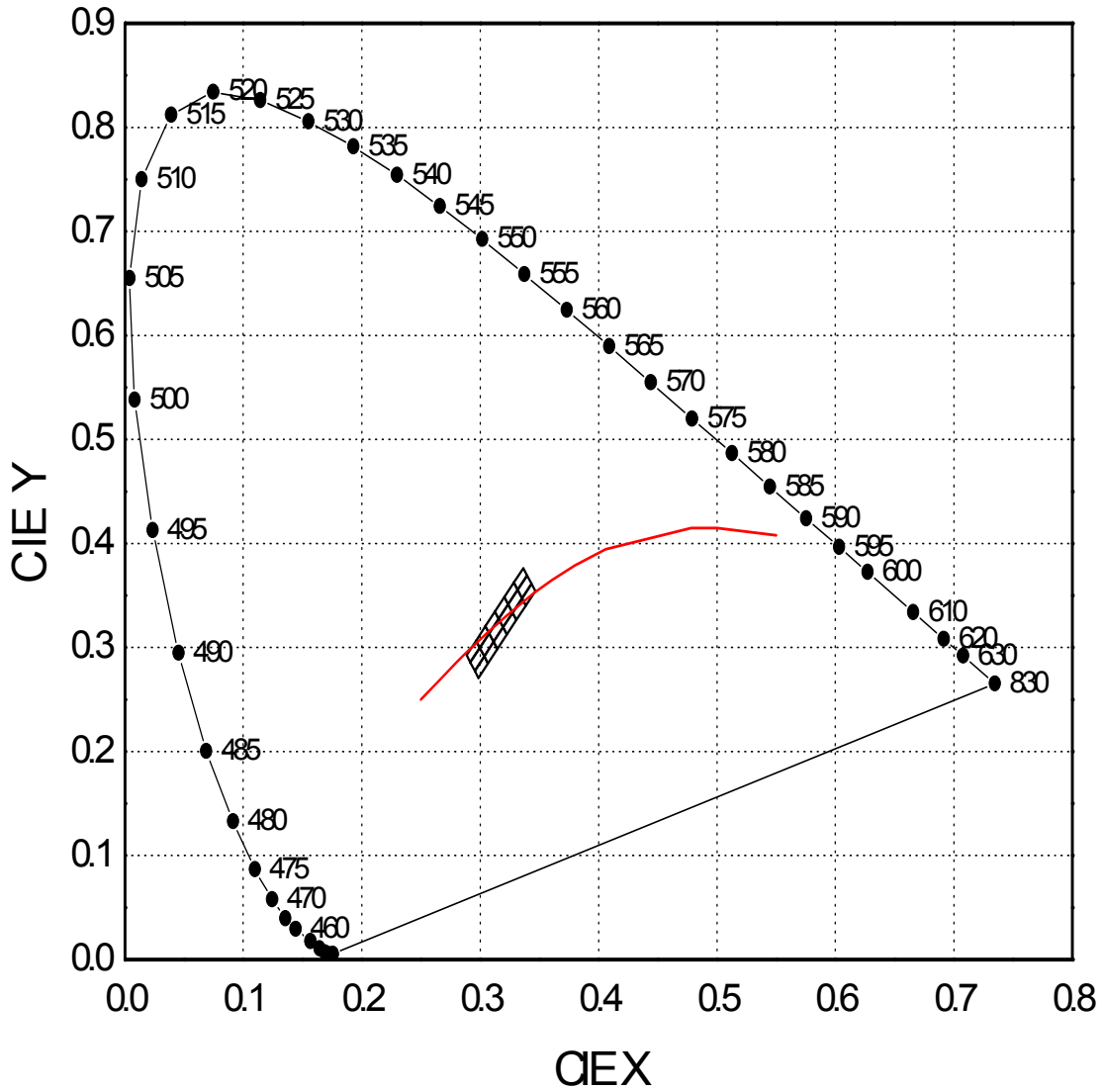
Rev.08

Aug 2011

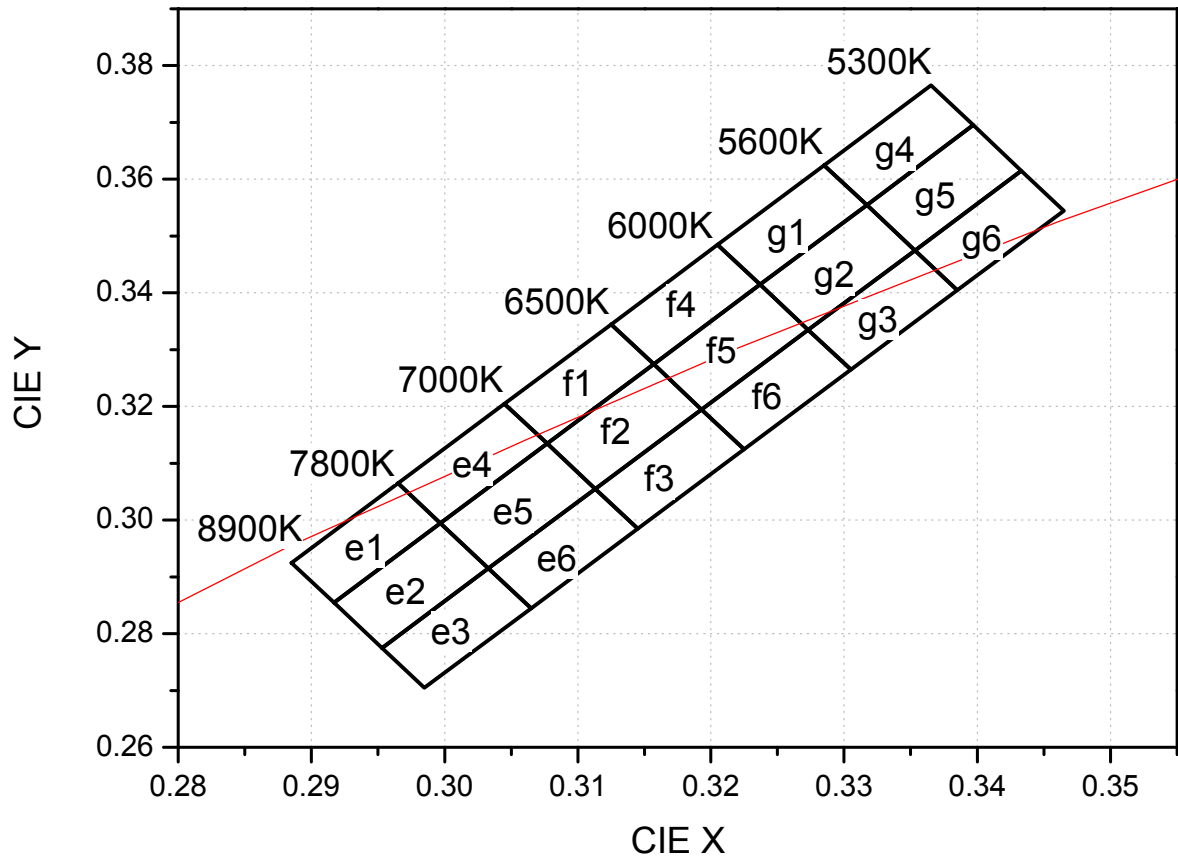
www.seoulsemicon.com

SSC- QP- 7- 07- 24 (Rev.00)

6. Color & Binning



6. Color & Binning





6. Color & Binning

● COLOR RANK

<IF=20mA, Ta=25℃>

e1		e2		e3	
CIE X	CIE Y	CIE X	CIE Y	CIE X	CIE Y
0.2885	0.2925	0.2917	0.2855	0.2953	0.2775
0.2917	0.2855	0.2953	0.2775	0.2985	0.2705
0.2997	0.2995	0.3033	0.2915	0.3065	0.2845
0.2965	0.3065	0.2997	0.2995	0.3033	0.2915
e4		e5		e6	
CIE X	CIE Y	CIE X	CIE Y	CIE X	CIE Y
0.2965	0.3065	0.2997	0.2995	0.3033	0.2915
0.2997	0.2995	0.3033	0.2915	0.3065	0.2845
0.3077	0.3135	0.3113	0.3055	0.3145	0.2985
0.3045	0.3205	0.3077	0.3135	0.3113	0.3055
f1		f2		f3	
CIE X	CIE Y	CIE X	CIE Y	CIE X	CIE Y
0.3045	0.3205	0.3077	0.3135	0.3113	0.3055
0.3077	0.3135	0.3113	0.3055	0.3145	0.2985
0.3157	0.3275	0.3193	0.3195	0.3225	0.3125
0.3125	0.3345	0.3157	0.3275	0.3193	0.3195
f4		f5		f6	
CIE X	CIE Y	CIE X	CIE Y	CIE X	CIE Y
0.3125	0.3345	0.3157	0.3275	0.3193	0.3195
0.3157	0.3275	0.3193	0.3195	0.3225	0.3125
0.3237	0.3415	0.3273	0.3335	0.3305	0.3265
0.3205	0.3485	0.3237	0.3415	0.3273	0.3335

* Measurement Uncertainty of the Color Coordinates : ± 0.01



6. Color & Binning

● COLOR RANK

<IF=20mA, Ta=25°C>

g1		g2		g3	
CIE X	CIE Y	CIE X	CIE Y	CIE X	CIE Y
0.3205	0.3485	0.3237	0.3415	0.3273	0.3335
0.3237	0.3415	0.3273	0.3335	0.3305	0.3265
0.3317	0.3555	0.3353	0.3475	0.3385	0.3405
0.3285	0.3625	0.3317	0.3555	0.3353	0.3475
g4		g5		g6	
CIE X	CIE Y	CIE X	CIE Y	CIE X	CIE Y
0.3285	0.3625	0.3317	0.3555	0.3353	0.3475
0.3317	0.3555	0.3353	0.3475	0.3385	0.3405
0.3397	0.3695	0.3433	0.3615	0.3465	0.3545
0.3365	0.3765	0.3397	0.3695	0.3433	0.3615

* Measurement Uncertainty of the Color Coordinates : ± 0.01

7. Bin Code Description

Bin Code		
Luminous Intensity	CIE	Forward Voltage
K0	f1	Z1

Luminous Intensity (mcd) @ $I_F = 20\text{mA}$			Flux (lm)
Bin Code	Min.	Max.	Typ
J7	1,700	1,800	4.9
J8	1,800	1,900	5.2
J9	1,900	2,000	5.4
K0	2,000	2,100	5.7
K1	2,100	2,200	5.9
K2	2,200	2,300	6.2
K3	2,300	2,400	6.5
K4	2,400	2,500	6.8

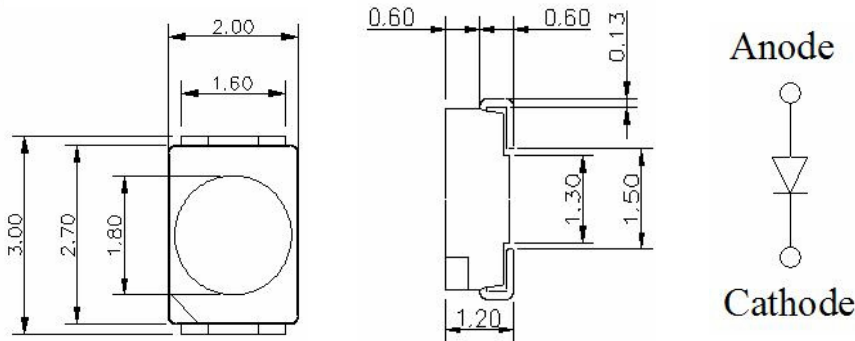
Color Rank @ $I_F = 20\text{mA}$
e ~ g

Forward Voltage (V) @ $I_F = 20\text{mA}$		
Bin Code	Min.	Max.
Y	2.9	3.0
Z1	3.0	3.1
Z2	3.1	3.2
Z3	3.2	3.3
A1	3.3	3.4

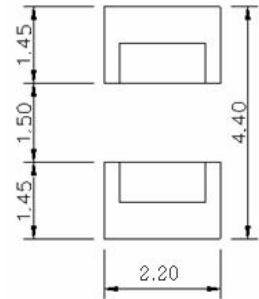
- Available ranks
- Not yet available ranks

[Note] All measurements were made under the standardized environment of SSC.
In order to ensure availability, single color rank will not be orderable.

8. Outline Dimension

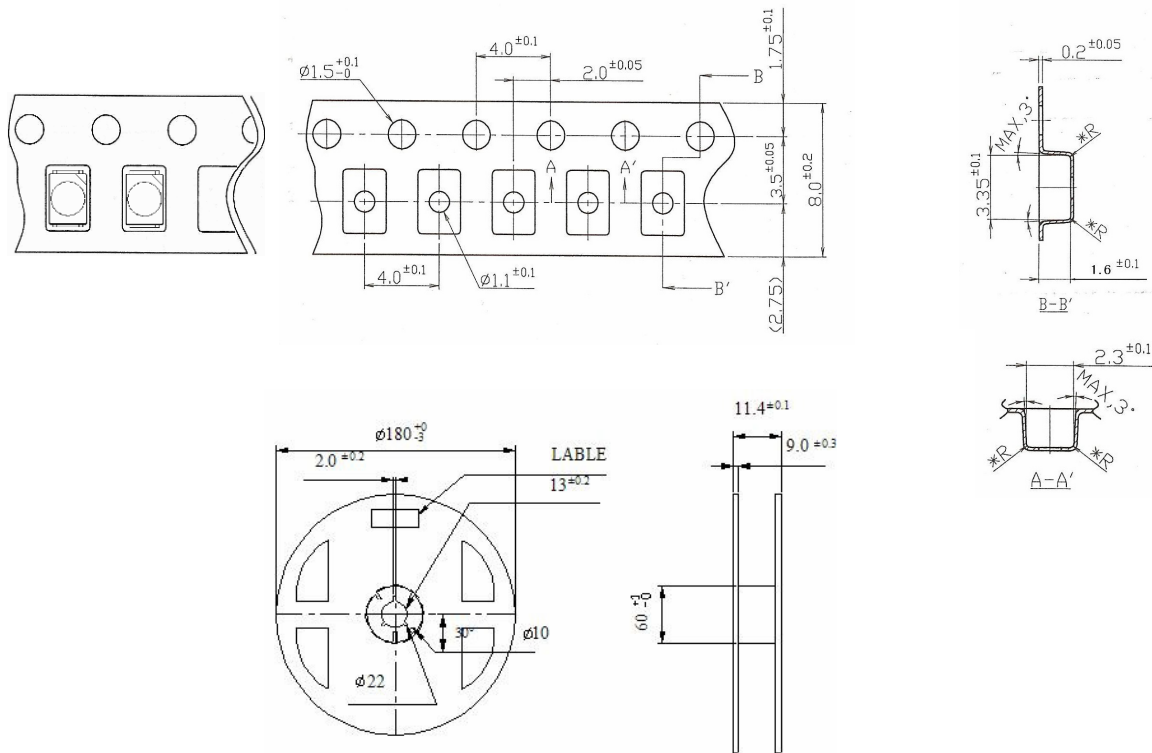


Recommended Solder Pattern



(Tolerance: ± 0.2 , Unit: mm)

9. Reel Structure



(Tolerance: ± 0.2 , Unit: mm)

- (1) Quantity : 3000pcs/Reel
- (2) Cumulative Tolerance : Cumulative Tolerance/10 pitches to be ± 0.2 mm
- (3) Adhesion Strength of Cover Tape : Adhesion strength to be 0.1- 0.7N when the cover tape is turned off from the carrier tape at the angle of 10° to the carrier tape
- (4) Package : P/N, Manufacturing data Code No. and quantity to be indicated on a damp proof Package

Rev.08

Aug 2011

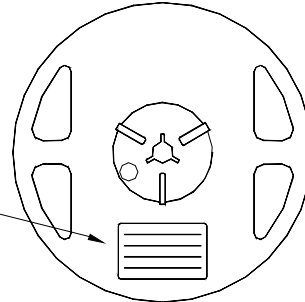
www.seoulsemicon.com

SSC- QP- 7- 07- 24 (Rev.00)

10. Packing

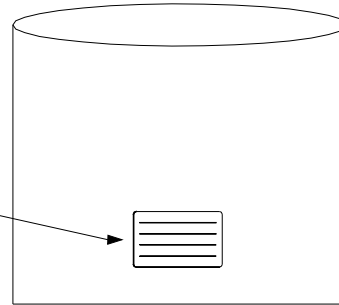
Reel

RANK: XXXX
 QUANTITY: XXXX
 LOT NUMBER: XXXXXXXXXXXX
 PART NUMBER: XXXXXXXX
 SEOUL SEMICONDUCTOR CO., LTD.



Aluminum Vinyl Bag

RANK: XXXX
 QUANTITY: XXXX
 LOT NUMBER: XXXXXXXXXXXX
 PART NUMBER: XXXXXXXX
 SEOUL SEMICONDUCTOR CO., LTD.



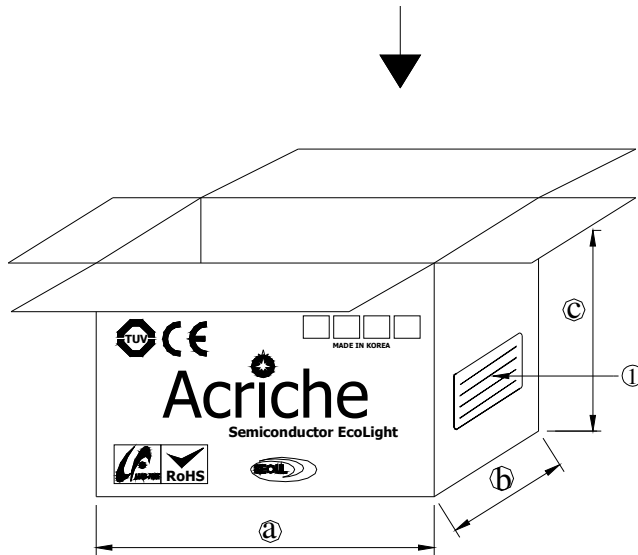
Outer Box Structure

Material : Paper(SW3B(B))

TYPE	SIZE (mm)		
	Ⓐ	Ⓑ	Ⓒ
7inch	245	220	102
	245	220	142

① SIDE

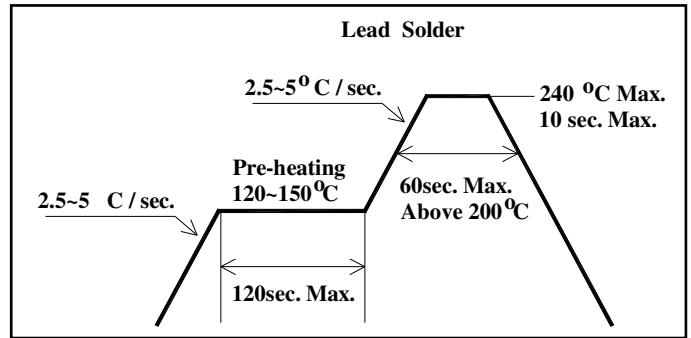
RANK: XXXX
 QUANTITY: XXXX
 LOT NUMBER: XXXXXXXXXXXX
 PART NUMBER: XXXXXXXX
 SEOUL SEMICONDUCTOR CO., LTD.



11. soldering

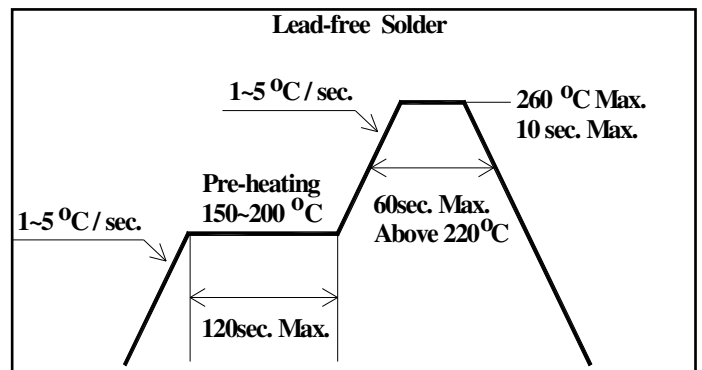
(1) Lead Solder

Lead Solder	
Pre-heat	120~150℃
Pre-heat time	120 sec. Max.
Peak-Temperature	240℃ Max.
Soldering time	10 sec. Max.
Condition	10 sec. Max.



(2) Lead-Free Solder

Lead Free Solder	
Pre-heat	150~200℃ 120 sec.
Pre-heat time	Max.
Peak-Temperature	260℃ Max.
Soldering time	10 sec. Max.
Condition	10 sec. Max.



(3) Hand Soldering conditions

Do not exceed 4 seconds at maximum 315°C under soldering iron.

(4) The encapsulated material of the LEDs is silicone.

Precautions should be taken to avoid the strong pressure on the encapsulated part. So when using the chip mounter, the picking up nozzle that does not affect the silicone resin should be used.

(5) It is recommended that the customer use the nitrogen reflow method.

(6) Repairing should not be done after the LEDs have been soldered.

(7) Reflow soldering should not be done more than two times.

In the case of more than 24 hours passed soldering after first, LEDs will be damaged.

12. precaution for use

(1) Storage

In order to avoid the absorption of moisture, it is recommended to store in a dry box (or a desiccator) with a desiccant. Otherwise, to store them in the following environment is recommended.

Temperature : 5°C ~30°C Humidity : maximum 70%RH

(2) Attention after open.

LED is correspond to SMD, when LED be soldered dip, interfacial separation may affect the light transmission efficiency, causing the light intensity to drop.

Attention in followed; Keeping of a fraction

Temperature : 5 ~ 40°C Humidity : less than 10%

(3) In the case of more than 4 week passed after opening or change color of indicator on desiccant, components shall be dried 10-12hr. at 60± 5°C.

(4) Silver plating might be tarnished in the environment that contains corrosive gases and materials. Also any product that has tarnished lead might be decreased the solder-ability and optical-electrical properties compare to normal ones.
Please do not expose the product in the corrosive environment during the storage.

(5) Any mechanical force or any excess vibration shall not be accepted to apply during cooling process to normal temperature after soldering.

(6) Quick cooling shall be avoided.

(7) Components shall not be mounted on warped direction of PCB.

(8) Anti radioactive ray design is not considered for the products.

(9) This device should not be used in any type of fluid such as water, oil, organic solvent etc. When washing is required, IPA should be used.

(10) When the LEDs are illuminating, operating current should be decided after considering the ambient maximum temperature.

(11) The LEDs must be soldered within seven days after opening the moisture-proof packing.

(12) Repack unused products with anti-moisture packing, fold to close any opening and then store in a dry place.

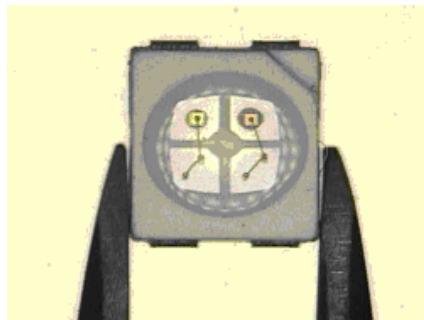
(13) The appearance and specifications of the product may be modified for improvement without notice.

13. Handling of Silicone Resin LEDs

(1) During processing, mechanical stress on the surface should be minimized as much as possible. Sharp objects of all types should not be used to pierce the sealing compound.



(2) In general, LEDs should only be handled from the side. By the way, this also applies to LEDs without a silicone sealant, since the surface can also become scratched.



(3) When populating boards in SMT production, there are basically no restrictions regarding the form of the pick and place nozzle, except that mechanical pressure on the surface of the resin must be prevented. This is assured by choosing a pick and place nozzle which is larger than the LED's reflector area.

(4) Silicone differs from materials conventionally used for the manufacturing of LEDs. These conditions must be considered during the handling of such devices. Compared to standard encapsulants, silicone is generally softer, and the surface is more likely to attract dust.

As mentioned previously, the increased sensitivity to dust requires special care during processing. In cases where a minimal level of dirt and dust particles cannot be guaranteed, a suitable cleaning solution must be applied to the surface after the soldering of components.

(5) SSC suggests using isopropyl alcohol for cleaning. In case other solvents are used, it must be assured that these solvents do not dissolve the package or resin. Ultrasonic cleaning is not recommended. Ultrasonic cleaning may cause damage to the LED.