

CTSPT-H

From 2.8 μH to 18 μH



CHARACTERISTICS

Description: Surface mount high current toroidal inductor.

Applications: For use in DC/DC converters, notebooks, computers, and mobile appliances. Boost and buck switcher. Designed for SMD pick and place mounting and reflow soldering.

Operating Temperature: -40°C to +130°C

Testing: Tested on an HP4284A at 100 kHz 0.1 Vrms

Electrical Specification: @ 25°C

Temperature Rise: 55°C typical at I_{dc} and 25°C ambient temperature.

Miscellaneous: **RoHS Compliant available.** Meets UL94V-0. Operating frequency up to 1 MHz.

Additional Information: Additional electrical & physical information available upon request

Samples available. See website for ordering information.

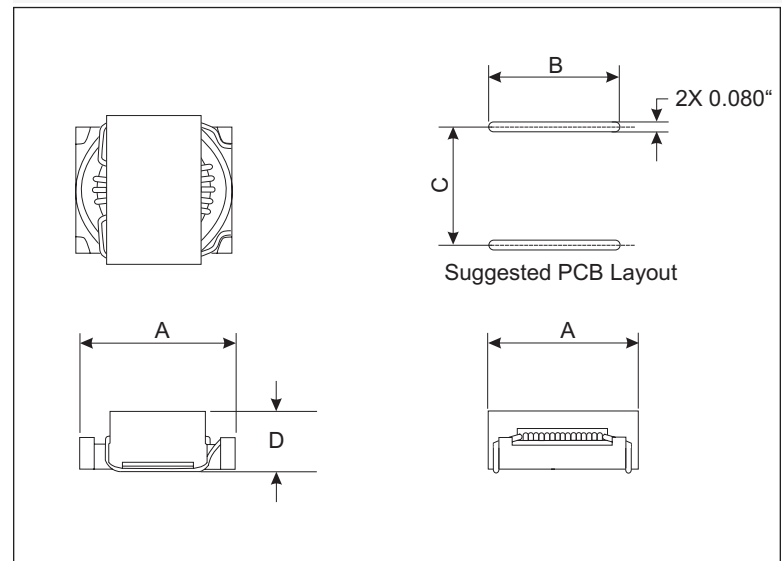
SPECIFICATIONS

CTSPT~~HE Please specify "F" for RoHS Compliant

| Part Number | Inductance (no DC) $\pm 20\%$. (μH) | Current DC (Amp.) | Inductance (w/ DC) Typ. (μH) | DCR Max. (Ω) | Size Code |
|----------------|---|-------------------|---|-----------------------|-----------|
| CTSPT44H_-282M | 2.8 | 13.9 | 1.68 | 0.0036 | R |
| CTSPT44H_-422M | 4.2 | 11.4 | 2.5 | 0.0054 | R |
| CTSPT68H_-113M | 11 | 15.4 | 5.2 | 0.0062 | S |
| CTSPT68H_-183M | 18 | 10.9 | 9.4 | 0.0123 | S |

PHYSICAL DIMENSIONS (inch)

| Size Code | A Max. | B Max. | C Max. | D Max. |
|-----------|--------|-------------------|-------------------|--------|
| R | 0.665 | 0.490 \pm 0.005 | 0.570 \pm 0.005 | 0.400 |
| S | 0.940 | 0.700 \pm 0.005 | 0.830 \pm 0.005 | 0.400 |



05.07.08