

PLEASE CHECK WWW.MOLEX.COM FOR LATEST PART INFORMATION

Part Number: [0503247212](#)
Status: **Active**
Description: Spade Tongue Terminal for 10-12 AWG, Closed Uninsulated Brazed Barrel, Stud Size 8 (M4), Oxygen-Free Copper, Length 18.20mm (.717"), Width 9.00mm (.354")

Documents:

[Drawing \(PDF\)](#) [RoHS Certificate of Compliance \(PDF\)](#)
[Product Specification PS-50322-001 \(PDF\)](#)

General

Product Family	Ring and Spade Terminals
Series	50324
Crimp Quality Equipment	Yes
Mil-Spec	N/A
Product Name	Y (Spade)
Type	Spade

Physical

Barrel Type	Closed - Brazed
Insulation	None
Material - Plating Mating	Tin
Packaging Type	Bag
Plating min: Mating (µin)	40
Plating min: Mating (µm)	1
Plating min: Termination (µin)	40
Plating min: Termination (µm)	1
Stud Size	8 (M4)
Termination Interface: Style	Crimp or Compression
Wire Size AWG	10, 12
Wire Size mm ²	2.63 - 6.64

Material Info

Reference - Drawing Numbers

Product Specification	PS-50322-001
Sales Drawing	SD-50324-001

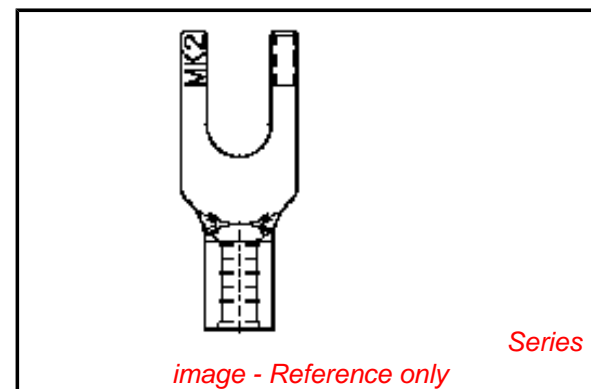


image - Reference only

EU RoHS

ELV and RoHS Compliant
REACH SVHC
 Not Reviewed
Halogen-Free Status
 Not Reviewed

China RoHS



Need more information on product environmental compliance?

Email productcompliance@molex.com
 For a multiple part number RoHS Certificate of Compliance, [click here](#)

Please visit the [Contact Us](#) section for any non-product compliance questions.

Search Parts in this Series

50324Series

Application Tooling | [FAQ](#)

Tooling specifications and manuals are found by selecting the products below. Crimp Height Specifications are then contained in the Application Tooling Specification document.

Japan

Description	Product #
Hand Crimper For JIS Terminal	0572575000
Air Type Hand Crimper For JIS Terminal	0573439005

10 9 8 7 6 5 4 3 2 1

F

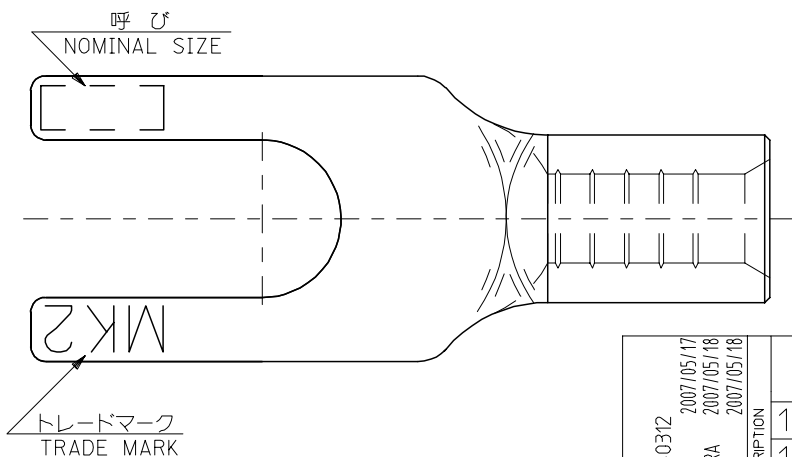
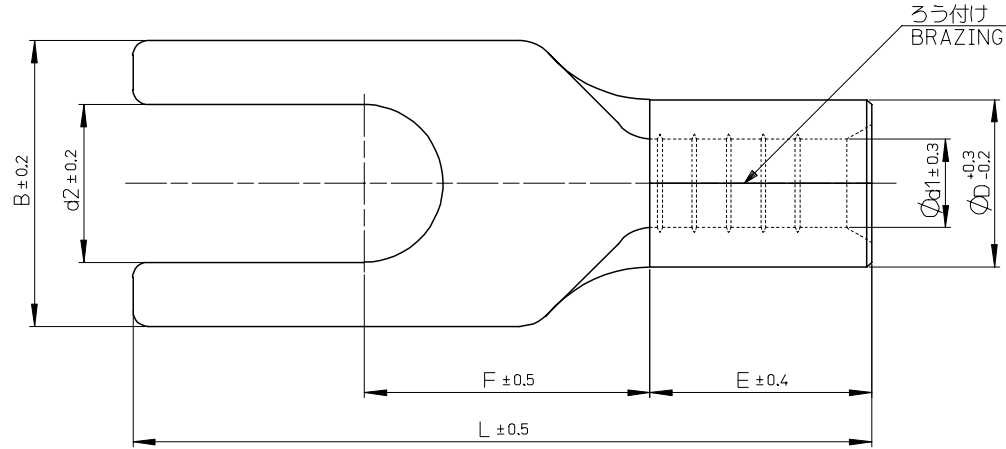
E

D

C

B

A



注記 NOTES

- 1 材質 MATERIAL
端子：無酸素銅、錫めっき
TERMINAL: OXYGEN-FREE COPPER, TIN PLATING
ろう付け部 リン銅ろう
COPPER PHOSPHORUS BRAZING FILLER METALS
(PART OF BRAZING)
- 2. 適用電線 APPLICABLE WIRE RANGE

ENG. NO.	単線(mm) 撚線(mm ²)		AWG
	SOLID WIRE (mm)	STRANDED WIRE (mm ²)	
50324-7*12	1.82~2.89	2.63~6.64	#12-#10

1	6.4	25.2	12	6.5	3.5	5.6	12.5	Y5.5	6	50324-7412
	5.3	18.2	7.2				9		5	50324-7312
	4.3						8.4		4	50324-7212
t	Ød2	L	F	E	Ød1	ØD	B	呼 び NOMINAL SIZE	ENG. NO.	
									4S	50324-7112

REVISED EC NO: J2007-0312 DRW: H. YAJIMA 2007/05/17 CHK: K. KASAHARA 2007/05/18 APPR: N. UKITA 2007/05/18	GENERAL TOLERANCES (UNLESS SPECIFIED)		DIMENSION STYLE MM ONLY		SCALE ---	DESIGN UNITS METRIC	THIRD ANGLE PROJECTION		
	10 UNDER	± ---	DRAWN BY H. YAJIMA	DATE '06/08/24	TITLE SPADE TERMINAL				
	10 OVER 30 UNDER	± ---	CHECKED BY K. KASAHARA	DATE '06/08/24	MATERIAL NO. SEE CHART				
	30 OVER	± ---	APPROVED BY N. UKITA	DATE '06/08/24	DOCUMENT NO. SD-50324-001				
	ANGULAR	± --- °	DRAFT WHERE APPLICABLE MUST REMAIN WITHIN DIMENSIONS			SIZE A3		SHEET NO. 1 OF 1	

9

8

7

6

5

4

3

2