

Data & Clock Transmission

DX/DT/DR-7401

For Medium Speed Data & Clock Applications

The *Litelink*™ DX-7401/DT-7401/DR-7401 system consists of the DX-7401 transceiver, DT-7401 dual channel transmitter and DR-7402 dual channel receiver. All units are designed to transmit clock and companion data signals on a single fiber (per channel) by utilizing Manchester encoding and decoding of the signals. Standard digital modulation is then used to transmit the composite signal, error free, through the fiber optic cable.

The DX-7401/DT-7401/DR-7401 are all adjustment free and integral LEDs are provided on all units to continuously indicate the presence of operating power and transmitter/receiver synchronization thereby making system troubleshooting simple.



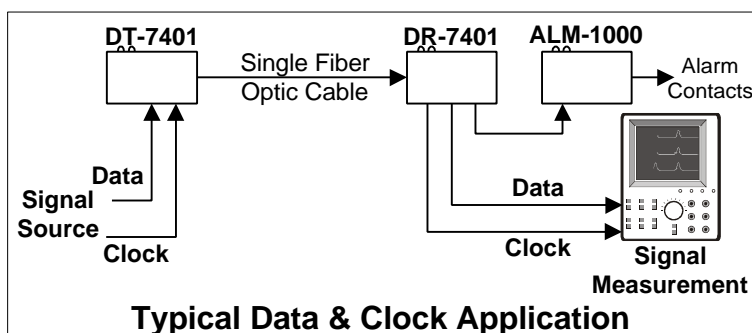
Technical Specifications

Important Features

Overall Bandwidth (minimum)	DC to 20 Mb/s
Clock Input / Output	10 MHz
Data Input / Output	DC to 10 Mb/s
Input / Output Levels	Standard TTL
Input / Output Termination	330/220 ohms pull up/down
Operating Wavelength	850, 1310 or 1550nm
Optical Output Power	-16dBm (multimode) -16dBm (single-mode)
Optical Loss Budget	0-10dB (multimode) 0-10dB (single-mode)
Optical Connectors	ST (multimode) FCPC (single-mode)
Indicator LEDs	Power, Link, Alarm
Signal Connector	DB-37 Female
Operating Temperature	-35° to +75°C
Power Requirements**	11-18 VAC/DC @150ma.
Physical Size (mm)	5.0" (127) x 3.0" (76) x 1.0" (25.4)

- **10 MHz Clock Rate**
10 Mb/s Data Rate
- **Signal/Power Indicators**
- **Multimode or Single-mode versions**
- **Stand-alone or Rack Mountable (same unit)**

Note that all specifications are subject to change without prior notice.



Ordering Information

Transceiver	DX-7401-X
Transmitter	DT-7401-X
Receiver	DR-7401-X

"X" = Wavelength/Fiber
-1 = 850nm Multimode
-3 = 1310nm Multimode
-7 = 1310nm Single-mode
-9 = 1550nm Single-mode

For stand-alone operation order a PS-1205 power supply for each unit.

For rack mounted operation all operating power is provided by power supply used with the rack-mounting panel.

LuxLink™
www.luxlink.com

166 Haverford Road
Hicksville, NY 11801
USA 516-931-2800