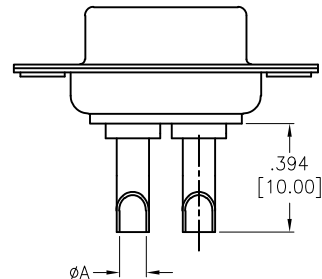
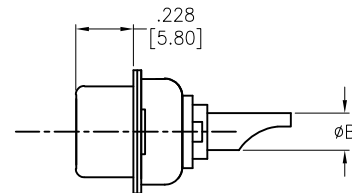
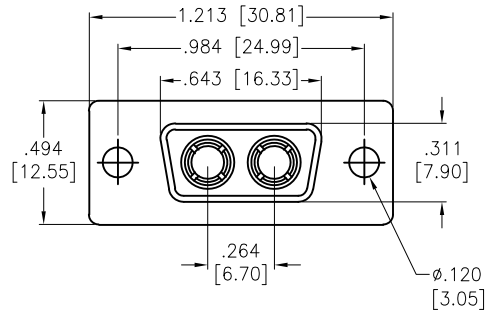


APPROVED: \_\_\_\_\_  
 DATE: \_\_\_\_\_ TITLE: \_\_\_\_\_

Rev	AWO #	Description	Date	Appr
-		RELEASED	5/25/16	



**SPECIFICATIONS:**

Material:  
 Insulator: Thermoplastic, glass filled, rated UL 94V-0  
 Insulator color: Black  
 Contacts: Brass  
 Shell: Steel, Tin plated  
 Plating:  
 Gold flash over Nickel underplate overall  
 Electrical:  
 Current rating: 10 - 40 Amps max (Power Contact)  
 Contact resistance: 10 mohms max  
 Insulation resistance: 5,000 Mohms min  
 Dielectric withstanding voltage: 1,000 VAC for 1 minute  
 Temperature Rating:  
 Operating temperature: -55°C to +125°C  
 Environmental:  
 Lead free, RoHS compliant



ADAM TECH PART NO.	CURRENT RATING	WIRE SIZE	DIMENSION	
			A	B
D2W2-SDP-6-1	40 AMPS	8-10 AWG	$\phi$ .181 [4.60]	$\phi$ .217 [5.50]
D2W2-SDP-5-1	30 AMPS	10-12 AWG	$\phi$ .146 [3.70]	$\phi$ .181 [4.60]
D2W2-SDP-4-1	20 AMPS	12-14 AWG	$\phi$ .106 [2.70]	$\phi$ .142 [3.60]
D2W2-SDP-3-1	10 AMPS	16-18 AWG	$\phi$ .067 [1.70]	$\phi$ .098 [2.50]

UNLESS OTHERWISE SPECIFIED ALL DIMENSIONS ARE INCHES [MM] TOLERANCES: EXCEPT AS NOTED		<h1>ADAM TECH</h1> 909 Rahway Avenue, Union, NJ 07083 Phone: 908-687-5000 Fax: 908-687-5710	
INCHES HOLES			
.X ± .10	Ø.X ± .10	TITLE: D-SUB COAX SOCKET, D2W2, STRAIGHT, 10~40 AMPS, SOLDER CUP	
.XX ± .020	Ø.XX ± .015		
.XXX ± .015	Ø.XXX ± .010	SIZE: X	PART NO.: D2W2-SDP-X-1
APPROVALS		REF: S00019T	SCALE: NTS
DRAWN: AY	DATE: 5/25/16	SHEET 1 OF 1	
CHECKED: CH	DATE: 5/25/16		
APPROVED:		REV: -	