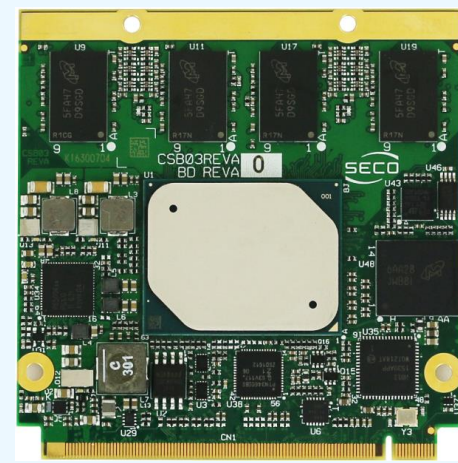
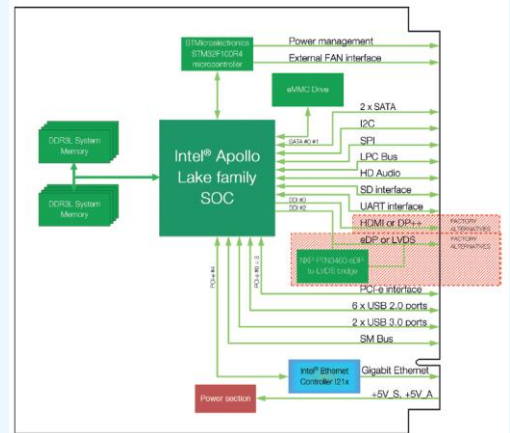


**Product Name: Q7-B03**



<b>Highlights</b>	<ul style="list-style-type: none"> <li>• Compliant to the most recent Qseven® rel. 2.1 specs</li> <li>• 4K HW decoding and encoding of HEVC(H.265), H.264, VP8, SVC, MVC</li> <li>• Extreme graphics for low power embedded applications</li> <li>• Industrial grade and connectivity capable</li> <li>• Support for the most popular operating systems</li> </ul>
<b>Part Number</b>	Q7-B03
<b>Main Fields of Application</b>	<ul style="list-style-type: none"> <li>• Internet of Things</li> <li>• Biomedical/Medical Devices</li> <li>• Digital signage - Infotainment</li> <li>• HMI</li> <li>• Automotive</li> <li>• Gaming</li> <li>• Industrial</li> <li>• Visual Computing</li> <li>• Mobile Devices</li> <li>• Multimedia Devices</li> </ul>
<b>Processor</b>	<p>Intel® Atom™ x5-E3930 Dual Core @1.3 GHz (Burst 1.8GHz), 2MB L2 Cache, 5.5W TDP</p> <p>Intel® Atom™ x5-E3940 Quad Core @1.6 GHz (Burst 1.8GHz), 2MB L2 Cache, 9W TDP</p> <p>Intel® Atom™ x7-E3950 Quad Core @1.6 GHz (Burst 2.0GHz), 2MB L2 Cache, 12W TDP</p> <p>Intel® Pentium® N4200 Quad Core @1.1GHz (burst 2.5GHz), 2MB L2 Cache, 6W TDP</p> <p>Intel® Celeron® N3350 Dual Core @1.1GHz (burst 2.4GHz), 2MB L2 Cache, 6W TDP</p>
<b>Max Cores</b>	4
<b>Memory</b>	Dual Channel Soldered Down DDR3L-1866 memory, up to 8GB
<b>Graphics</b>	Integrated Gen9-LP Graphics controller, with 18 Execution Units 4K HW decoding and encoding of HEVC(H.265), H.264, VP8, SVC, MVC
<b>Video Interface</b>	eDP interface or Single/Dual Channel 18/24bit LVDS interface through eDP-to-LVDS bridge HDMI or DP++ interface
<b>Video Resolution</b>	HDMI, eDP: Up to 3840 x 2160 (4K) DP++: Up to 4096 x 2160 LVDS: Up to 1920 x 1200



<b>Mass Storage</b>	2 x external S-ATA Gen3 Channel SD interface Optional eMMC drive soldered onboard
<b>Networking</b>	Gigabit Ethernet interface Intel® I210 or I211 Controller (MAC + PHY)
<b>USB</b>	6 x USB 2.0 Host Ports 2 x USB 3.0 Host Ports
<b>PCI-e</b>	4 x PCI-e Root Ports (including the PCI-e port used for Gigabit Ethernet controller)
<b>Audio</b>	HD Audio interface
<b>Serial Ports</b>	1 x UART, TTL interface
<b>Power Supply</b>	+5VDC @ 5%
<b>Operating System</b>	Microsoft® Windows 10 Enterprise (64 bit) Microsoft® Windows 10 IoT Core Linux (64 bit) Yocto (64 bit)
<b>Operating Temperature</b>	0°C - +60°C (Commercial version) -40°C - +85°C (Industrial version)
<b>Dimensions</b>	70 x 70 mm (2.76" x 2.76")