

NuMicro™ NUC230/240 Series DataSheet

The information described in this document is the exclusive intellectual property of Nuvoton Technology Corporation and shall not be reproduced without permission from Nuvoton.

Nuvoton is providing this document only for reference purposes of NuMicro™ microcontroller based system design. Nuvoton assumes no responsibility for errors or omissions.

All data and specifications are subject to change without notice.

For additional information or questions, please contact: Nuvoton Technology Corporation.

www.nuvoton.com



TABLE OF CONTENTS

LIST OF FIGURES	6
LIST OF TABLES	7
1 GENERAL DESCRIPTION	8
2 FEATURES	9
2.1 NuMicro™ NUC230 Features – Automotive Line	9
2.2 NuMicro™ NUC240 Features – Connectivity Line	13
3 ABBREVIATIONS	17
4 PARTS INFORMATION LIST AND PIN CONFIGURATION	19
4.1 NuMicro™ NUC230/240xxxAE Selection Guide	19
4.1.1 NuMicro™ NUC230 Automotive Line Selection Guide	19
4.1.2 NuMicro™ NUC240 Connectivity Line Selection Guide	19
4.2 Pin Configuration	21
4.2.1 NuMicro™ NUC230 Pin Diagram	21
4.2.2 NuMicro™ NUC240 Pin Diagram	24
4.3 Pin Description	27
4.3.1 NuMicro™ NUC230 Pin Description	27
4.3.2 NuMicro™ NUC240 Pin Description	35
5 BLOCK DIAGRAM	43
5.1 NuMicro™ NUC230 Block Diagram	43
5.2 NuMicro™ NUC240 Block Diagram	44
6 FUNCTIONAL DESCRIPTION	45
6.1 ARM® Cortex™-M0 Core	45
6.2 System Manager	47
6.2.1 Overview	47
6.2.2 System Reset	47
6.2.3 System Power Distribution	48
6.2.4 System Memory Map	50
6.2.5 System Timer (SysTick)	52
6.2.6 Nested Vectored Interrupt Controller (NVIC)	53
6.2.7 System Control	56
6.3 Clock Controller	57
6.3.1 Overview	57
6.3.2 System Clock and SysTick Clock	60



6.3.3	Power-down Mode Clock	61
6.3.4	Frequency Divider Output	62
6.4	Flash Memory Controller (FMC)	63
6.4.1	Overview	63
6.4.2	Features	63
6.5	External Bus Interface (EBI)	64
6.5.1	Overview	64
6.5.2	Features	64
6.6	General Purpose I/O (GPIO)	65
6.6.1	Overview	65
6.6.2	Features	65
6.7	PDMA Controller (PDMA)	65
6.7.1	Overview	65
6.7.2	Features	66
6.8	Timer Controller (TIMER)	66
6.8.1	Overview	66
6.8.2	Features	67
6.9	PWM Generator and Capture Timer (PWM)	68
6.9.1	Overview	68
6.9.2	Features	69
6.10	Watchdog Timer (WDT)	70
6.10.1	Overview	70
6.10.2	Features	70
6.11	Window Watchdog Timer (WWDT)	71
6.11.1	Overview	71
6.11.2	Features	71
6.12	Real Time Clock (RTC)	71
6.12.1	Overview	71
6.12.2	Features	71
6.13	UART Interface Controller (UART)	72
6.13.1	Overview	72
6.13.2	Features	72
6.14	Smart Card Host Interface (SC)	73
6.14.1	Overview	73
6.14.2	Features	73



6.15 PS/2 Device Controller (PS2D)	74
6.15.1 Overview	74
6.15.2 Features	74
6.16 I ² C Serial Interface Controller (I ² C)	75
6.16.1 Overview	75
6.16.2 Features	75
6.17 Serial Peripheral Interface (SPI)	75
6.17.1 Overview	75
6.17.2 Features	76
6.18 I ² S Controller (I ² S)	76
6.18.1 Overview	76
6.18.2 Features	76
6.19 USB Device Controller (USBD)	77
6.19.1 Overview	77
6.19.2 Features	77
6.20 Controller Area Network (CAN)	78
6.20.1 Overview	78
6.20.2 Features	78
6.21 Analog-to-Digital Converter (ADC)	78
6.21.1 Overview	78
6.21.2 Features	78
6.22 Analog Comparator (ACMP).....	79
6.22.1 Overview	79
6.22.2 Features	79
7 APPLICATION CIRCUIT	80
8 ELECTRICAL CHARACTERISTICS	81
8.1 Absolute Maximum Ratings	81
8.2 DC Electrical Characteristics	82
8.3 AC Electrical Characteristics	87
8.3.1 External 4~24 MHz High Speed Oscillator	87
8.3.2 External 4~24 MHz High Speed Crystal.....	87
8.3.3 External 32.768 kHz Low Speed Crystal Oscillator	88
8.3.4 Internal 22.1184 MHz High Speed Oscillator	88
8.3.5 Internal 10 kHz Low Speed Oscillator	88
8.4 Analog Characteristics	89



8.4.1	12-bit SARADC Specification	89
8.4.2	LDO and Power Management Specification	89
8.4.3	Low Voltage Reset Specification	90
8.4.4	Brown-out Detector Specification	90
8.4.5	Power-on Reset Specification	90
8.4.6	Temperature Sensor Specification	91
8.4.7	Comparator Specification.....	91
8.4.8	USB PHY Specification	92
8.5	Flash DC Electrical Characteristics.....	93
9	PACKAGE DIMENSIONS	94
9.1	100-pin LQFP (14x14x1.4 mm footprint 2.0 mm).....	94
9.2	64-pin LQFP (7x7x1.4 mm footprint 2.0 mm)	95
9.3	48-pin LQFP (7x7x1.4 mm footprint 2.0 mm)	96
10	REVISION HISTORY	97

LIST OF FIGURES

Figure 4-1 NuMicro™ NUC230/240 Series Selection Code	20
Figure 4-2 NuMicro™ NUC230VxxAE LQFP 100-pin Diagram.....	21
Figure 4-3 NuMicro™ NUC230SxxAE LQFP 64-pin Diagram.....	22
Figure 4-4 NuMicro™ NUC230LxxAE LQFP 48-pin Diagram	23
Figure 4-5 NuMicro™ NUC240VxxAE LQFP 100-pin Diagram.....	24
Figure 4-6 NuMicro™ NUC240SxxAE LQFP 64-pin Diagram.....	25
Figure 4-7 NuMicro™ NUC240LxxAE LQFP 48-pin Diagram	26
Figure 5-1 NuMicro™ NUC230 Block Diagram	43
Figure 5-2 NuMicro™ NUC240 Block Diagram	44
Figure 6-1 Functional Controller Diagram	45
Figure 6-2 NuMicro™ NUC230 Power Distribution Diagram.....	48
Figure 6-3 NuMicro™ NUC240 Power Distribution Diagram.....	49
Figure 6-4 Clock Generator Block Diagram	58
Figure 6-5 Clock Generator Global View Diagram.....	59
Figure 6-6 System Clock Block Diagram	60
Figure 6-7 SysTick Clock Control Block Diagram	60
Figure 6-8 Clock Source of Frequency Divider	62
Figure 6-9 Frequency Divider Block Diagram	62
Figure 8-1 Typical Crystal Application Circuit	88

**LIST OF TABLES**

Table 1-1 NuMicro™ NUC230/240 Series Connectivity Support Table	8
Table 3-1 List of Abbreviations.....	18
Table 6-1 Address Space Assignments for On-Chip Controllers.....	51
Table 6-2 Exception Model	54
Table 6-3 System Interrupt Map.....	55
Table 6-4 Vector Table Format	56



1 GENERAL DESCRIPTION

The NuMicro™ NUC230/240 series 32-bit microcontrollers are embedded with the ARM® Cortex™-M0 core with a cost equivalent to traditional 8-bit MCU for industrial control and applications requiring rich communication interfaces. The NuMicro™ NUC230/240 series includes NUC230 and NUC240 product lines.

The NuMicro™ NUC230 CAN Line is embedded with the Cortex™-M0 core running up to 72 MHz and features 32K/64K/128K bytes flash, 8K/16K bytes embedded SRAM, and 8 Kbytes loader ROM for the ISP. It is also equipped with plenty of peripheral devices, such as Timers, Watchdog Timer, Window Watchdog Timer, RTC, PDMA with CRC calculation unit, UART, SPI, I²C, I²S, PWM Timer, GPIO, LIN, CAN, PS/2, Smart Card Host, 12-bit ADC, Analog Comparator, Low Voltage Reset Controller and Brown-out Detector.

The NuMicro™ NUC240 Connectivity Line with USB 2.0 full-speed and CAN functions is embedded with the Cortex™-M0 core running up to 72 MHz and features 32K/64K/128K bytes flash, 8K/16K bytes embedded SRAM, and 8 Kbytes loader ROM for the ISP. It is also equipped with plenty of peripheral devices, such as Timers, Watchdog Timer, Window Watchdog Timer, RTC, PDMA with CRC calculation unit, UART, SPI, I²C, I²S, PWM Timer, GPIO, LIN, CAN, PS/2, USB 2.0 FS Device, Smart Card Host, 12-bit ADC, Analog Comparator, Low Voltage Reset Controller and Brown-out Detector.

Product Line	UART	SPI	I ² C	USB	LIN	CAN	PS/2	I ² S	SC
NUC230	●	●	●		●	●	●	●	●
NUC240	●	●	●	●	●	●	●	●	●

Table 1-1 NuMicro™ NUC230/240 Series Connectivity Support Table



2 FEATURES

The equipped features are dependent on the product line and their sub products.

2.1 NuMicro™ NUC230 Features – Automotive Line

- ARM® Cortex™-M0 core
 - Runs up to 72 MHz
 - One 24-bit system timer
 - Supports low power sleep mode
 - Single-cycle 32-bit hardware multiplier
 - NVIC for the 32 interrupt inputs, each with 4-levels of priority
 - Serial Wire Debug supports with 2 watchpoints/4 breakpoints
- Built-in LDO for wide operating voltage ranged from 2.5 V to 5.5 V
- Flash Memory
 - 32K/64K/128K bytes Flash for program code
 - 8 KB flash for ISP loader
 - Supports In-System-Program (ISP) and In-Application-Program (IAP) application code update
 - 512 byte page erase for flash
 - Configurable Data Flash address and size for 128 KB system, fixed 4 KB Data Flash for the 32 KB and 64 KB system
 - Supports 2-wired ICP update through SWD/ICE interface
 - Supports fast parallel programming mode by external programmer
- SRAM Memory
 - 8K/16K bytes embedded SRAM
 - Supports PDMA mode
- PDMA (Peripheral DMA)
 - Supports 9 channels PDMA for automatic data transfer between SRAM and peripherals
 - Supports CRC calculation with four common polynomials, CRC-CCITT, CRC-8, CRC-16 and CRC-32
- Clock Control
 - Flexible selection for different applications
 - Built-in 22.1184 MHz high speed oscillator for system operation
 - Trimmed to $\pm 1\%$ at $+25\text{ }^{\circ}\text{C}$ and $V_{DD} = 5\text{ V}$
 - Trimmed to $\pm 3\%$ at $-40\text{ }^{\circ}\text{C} \sim +105\text{ }^{\circ}\text{C}$ and $V_{DD} = 2.5\text{ V} \sim 5.5\text{ V}$
 - Built-in 10 kHz low speed oscillator for Watchdog Timer and Wake-up operation
 - Supports one PLL, up to 72 MHz, for high performance system operation
 - External 4~24 MHz high speed crystal input for precise timing operation
 - External 32.768 kHz low speed crystal input for RTC function and low power system operation
- GPIO
 - Four I/O modes:
 - Quasi-bidirectional
 - Push-pull output
 - Open-drain output
 - Input only with high impedance
 - TTL/Schmitt trigger input selectable
 - I/O pin configured as interrupt source with edge/level setting
- Timer
 - Supports 4 sets of 32-bit timers with 24-bit up-timer and one 8-bit prescale counter
 - Independent clock source for each timer
 - Provides one-shot, periodic, toggle and continuous counting operation modes
 - Supports event counting function
 - Supports input capture function
- Watchdog Timer
 - Multiple clock sources



- 8 selectable time-out period from 1.6 ms ~ 26.0 sec (depending on clock source)
- Wake-up from Power-down or Idle mode
- Interrupt or reset selectable on watchdog time-out
- Supports 4 selectable Watchdog Timer reset delay period(1026, 130, 18 or 3 WDT_CLK)
- Window Watchdog Timer
 - 6-bit down counter with 11-bit prescale for wide range window selected
- RTC
 - Supports software compensation by setting frequency compensate register (FCR)
 - Supports RTC counter (second, minute, hour) and calendar counter (day, month, year)
 - Supports Alarm registers (second, minute, hour, day, month, year)
 - Selectable 12-hour or 24-hour mode
 - Automatic leap year recognition
 - Supports periodic time tick interrupt with 8 period options 1/128, 1/64, 1/32, 1/16, 1/8, 1/4, 1/2 and 1 second
 - Supports battery power pin (VBAT)
 - Supports wake-up function
- PWM/Capture
 - Up to four built-in 16-bit PWM generators providing eight PWM outputs or four complementary paired PWM outputs
 - Each PWM generator equipped with one clock source selector, one clock divider, one 8-bit prescaler and one Dead-Zone generator for complementary paired PWM
 - Supports One-shot or Auto-reload mode
 - Up to eight 16-bit digital capture timers (shared with PWM timers) providing eight rising/falling capture inputs
 - Supports Capture interrupt
- UART
 - Up to six UART controllers (three UART controllers are shared with SC)
 - UART ports with flow control (TXD, RXD, nCTS and nRTS)
 - UART0 with 64-byte FIFO is for high speed
 - UART1/2(optional) with 16-byte FIFO for standard device
 - Supports IrDA (SIR) and LIN function
 - Supports RS-485 9-bit mode and direction control
 - Programmable baud-rate generator up to 1/16 system clock
 - Supports CTS wake-up function (UART0 and UART1 support)
 - Supports PDMA mode
- Smart Card Host (SC)
 - Supports up to three ISO-7816-3 ports
 - Compliant to ISO-7816-3 T=0, T=1
 - Separate receive / transmit 4 bytes entry FIFO for data payloads
 - Programmable transmission clock frequency
 - Programmable receiver buffer trigger level
 - Programmable guard time selection (11 ETU ~ 266 ETU)
 - One 24-bit and two 8-bit time-out counters for Answer to Request (ATR) and waiting times processing
 - Supports auto inverse convention function
 - Supports transmitter and receiver error retry and error limit function
 - Supports hardware activation sequence process
 - Supports hardware warm reset sequence process
 - Supports hardware deactivation sequence process
 - Supports hardware auto deactivation sequence when detecting the card is removal
 - Supports up to three UART ports
 - Full duplex, asynchronous communications
 - Supports receiving / transmitting 4-bytes FIFO
 - Supports programmable baud rate generator for each channel
 - Programmable even, odd or no parity bit generation and detection
 - Programmable stop bit, 1 or 2 stop bit generation



- SPI
 - Up to four sets of SPI controllers
 - The maximum SPI clock rate of Master can up to 36 MHz (chip working at 5V)
 - The maximum SPI clock rate of Slave can up to 18 MHz (chip working at 5V)
 - Supports SPI Master/Slave mode
 - Full duplex synchronous serial data transfer
 - Variable length of transfer data from 8 to 32 bits
 - MSB or LSB first data transfer
 - Rx and Tx on both rising or falling edge of serial clock independently
 - Two slave/device select lines in Master mode, and one slave/device select line in Slave mode
 - Supports Byte Suspend mode in 32-bit transmission
 - Supports PDMA mode
 - Supports three wire, no slave select signal, bi-direction interface
- I²C
 - Up to two sets of I²C devices
 - Master/Slave mode
 - Bidirectional data transfer between masters and slaves
 - Multi-master bus (no central master)
 - Arbitration between simultaneously transmitting masters without corruption of serial data on the bus
 - Serial clock synchronization allowing devices with different bit rates to communicate via one serial bus
 - Serial clock synchronization used as a handshake mechanism to suspend and resume serial transfer
 - Programmable clocks allowing for versatile rate control
 - Supports multiple address recognition (four slave address with mask option)
 - Supports wake-up function
- I²S
 - Interface with external audio CODEC
 - Operate as either Master or Slave mode
 - Capable of handling 8-, 16-, 24- and 32-bit word sizes
 - Supports mono and stereo audio data
 - Supports I²S and MSB justified data format
 - Provides two 8 word FIFO data buffers, one for transmitting and the other for receiving
 - Generates interrupt requests when buffer levels cross a programmable boundary
 - Supports two DMA requests, one for transmitting and the other for receiving
- PS/2 Device
 - Host communication inhibit and request to send detection
 - Reception frame error detection
 - Programmable 1 to 16 bytes transmit buffer to reduce CPU intervention
 - Double buffer for data reception
 - Software override bus
- CAN 2.0
 - Supports CAN protocol version 2.0 part A and B
 - Bit rates up to 1M bit/s
 - 32 Message Objects
 - Each Message Object has its own identifier mask
 - Programmable FIFO mode (concatenation of Message Object)
 - Maskable interrupt
 - Disabled Automatic Re-transmission mode for Time Triggered CAN applications
 - Support wake-up function
- ADC
 - 12-bit SAR ADC with 1 MSPS (chip working at 5V)
 - Up to 8-ch single-end input or 4-ch differential input
 - Single scan/single cycle scan/continuous scan



- Each channel with individual result register
- Scan on enabled channels
- Threshold voltage detection
- Conversion started by software programming, external input or PWM Center-aligned trigger
- Supports PDMA mode
- Analog Comparator
 - Up to two analog comparators
 - External input or internal Band-gap voltage selectable at negative node
 - Interrupt when compare result change
 - Supports Power-down wake-up
- EBI (External bus interface)
 - Accessible space: 64 KB in 8-bit mode or 128 KB in 16-bit mode
 - Supports 8-/16-bit data width
 - Supports byte write in 16-bit data width mode
- 96-bit unique ID (UID)
- 128-bit unique customer ID(UCID)
- One built-in temperature sensor with 1°C resolution
- Brown-out Detector
 - With 4 levels: 4.4 V/3.7 V/2.7 V/2.2 V
 - Supports Brown-out Interrupt and Reset option
- Low Voltage Reset
 - Threshold voltage level: 2.0 V
- Operating Temperature: -40°C ~ 105°C
- Packages:
 - All Green package (RoHS)
 - LQFP 100-pin / 64-pin / 48-pin



2.2 NuMicro™ NUC240 Features – Connectivity Line

- ARM® Cortex™-M0 core
 - Runs up to 72 MHz
 - One 24-bit system timer
 - Supports low power sleep mode
 - Single-cycle 32-bit hardware multiplier
 - NVIC for the 32 interrupt inputs, each with 4-levels of priority
 - Serial Wire Debug supports with 2 watchpoints/4 breakpoints
- Built-in LDO for wide operating voltage ranges from 2.5 V to 5.5 V
- Flash Memory
 - 32K/64K/128K bytes Flash for program code
 - 8 KB flash for ISP loader
 - Supports In-System-Program (ISP) and In-Application-Program (IAP) application code update
 - 512 byte page erase for flash
 - Configurable Data Flash address and size for 128 KB system, fixed 4 KB Data Flash for the 32 KB and 64 KB system
 - Supports 2-wired ICP update through SWD/ICE interface
- SRAM Memory
 - 8K/16K bytes embedded SRAM
 - Supports PDMA mode
- PDMA (Peripheral DMA)
 - Supports 9 channels PDMA for automatic data transfer between SRAM and peripherals
 - Supports CRC calculation with four common polynomials, CRC-CCITT, CRC-8, CRC-16 and CRC-32
- Clock Control
 - Flexible selection for different applications
 - Built-in 22.1184 MHz high speed oscillator for system operation
 - Trimmed to $\pm 1\%$ at $+25\text{ }^{\circ}\text{C}$ and $V_{DD} = 5\text{ V}$
 - Trimmed to $\pm 3\%$ at $-40\text{ }^{\circ}\text{C} \sim +105\text{ }^{\circ}\text{C}$ and $V_{DD} = 2.5\text{ V} \sim 5.5\text{ V}$
 - Built-in 10 kHz low speed oscillator for Watchdog Timer and Wake-up operation
 - Supports one PLL, up to 72 MHz, for high performance system operation
 - External 4~24 MHz high speed crystal input for USB and precise timing operation
 - External 32.768 kHz low speed crystal input for RTC function and low power system operation
- GPIO
 - Four I/O modes:
 - Quasi-bidirectional
 - Push-pull output
 - Open-drain output
 - Input only with high impedance
 - TTL/Schmitt trigger input selectable
 - I/O pin configured as interrupt source with edge/level setting
- Timer
 - Supports 4 sets of 32-bit timers with 24-bit up-timer and one 8-bit prescale counter
 - Independent clock source for each timer
 - Provides one-shot, periodic, toggle and continuous counting operation modes
 - Supports event counting function
 - Supports input capture function
- Watchdog Timer
 - Multiple clock sources
 - 8 selectable time-out period from 1.6 ms ~ 26.0 sec (depending on clock source)
 - Wake-up from Power-down or Idle mode
 - Interrupt or reset selectable on watchdog time-out
 - Supports 4 selectable Watchdog Timer reset delay period(1026, 130, 18 or 3 WDT_CLK)



- Window Watchdog Timer
 - 6-bit down counter with 11-bit prescale for wide range window selected
- RTC
 - Supports software compensation by setting frequency compensate register (FCR)
 - Supports RTC counter (second, minute, hour) and calendar counter (day, month, year)
 - Supports Alarm registers (second, minute, hour, day, month, year)
 - Selectable 12-hour or 24-hour mode
 - Automatic leap year recognition
 - Supports periodic time tick interrupt with 8 period options 1/128, 1/64, 1/32, 1/16, 1/8, 1/4, 1/2 and 1 second
 - Supports battery power pin (VBAT)
 - Supports wake-up function
- PWM/Capture
 - Up to four built-in 16-bit PWM generators providing eight PWM outputs or four complementary paired PWM outputs
 - Each PWM generator equipped with one clock source selector, one clock divider, one 8-bit prescaler and one Dead-Zone generator for complementary paired PWM
 - Supports One-shot or Auto-reload mode
 - Up to eight 16-bit digital capture timers (shared with PWM timers) providing eight rising/falling capture inputs
 - Supports Capture interrupt
- UART
 - Up to six UART controllers (three UART controllers are shared with SC)
 - UART ports with flow control (TXD, RXD, nCTS and nRTS)
 - UART0 with 64-byte FIFO is for high speed
 - UART1/2(optional) with 16-byte FIFO for standard device
 - Supports IrDA (SIR) and LIN function
 - Supports RS-485 9-bit mode and direction control
 - Programmable baud-rate generator up to 1/16 system clock
 - Supports CTS wake-up function (UART0 and UART1 support)
 - Supports PDMA mode
- Smart Card Host (SC)
 - Supports up to three ISO-7816-3 ports
 - Compliant to ISO-7816-3 T=0, T=1
 - Separate receive / transmit 4 bytes entry FIFO for data payloads
 - Programmable transmission clock frequency
 - Programmable receiver buffer trigger level
 - Programmable guard time selection (11 ETU ~ 266 ETU)
 - One 24-bit and two 8-bit time-out counters for Answer to Request (ATR) and waiting times processing
 - Supports auto inverse convention function
 - Supports transmitter and receiver error retry and error limit function
 - Supports hardware activation sequence process
 - Supports hardware warm reset sequence process
 - Supports hardware deactivation sequence process
 - Supports hardware auto deactivation sequence when detecting the card is removal
 - Supports up to three UART ports
 - Full duplex, asynchronous communications
 - Supports receiving / transmitting 4-bytes FIFO
 - Supports programmable baud rate generator for each channel
 - Programmable even, odd or no parity bit generation and detection
 - Programmable stop bit, 1 or 2 stop bit generation
- SPI
 - Up to four sets of SPI controllers
 - The maximum SPI clock rate of Master can up to 36 MHz (chip working at 5V)
 - The maximum SPI clock rate of Slave can up to 18 MHz (chip working at 5V)



- Supports SPI Master/Slave mode
- Full duplex synchronous serial data transfer
- Variable length of transfer data from 8 to 32 bits
- MSB or LSB first data transfer
- Rx and Tx on both rising or falling edge of serial clock independently
- Two slave/device select lines in Master mode, and one slave/device select line in Slave mode
- Supports Byte Suspend mode in 32-bit transmission
- Supports PDMA mode
- Supports three wire, no slave select signal, bi-direction interface
- I²C
 - Up to two sets of I²C devices
 - Master/Slave mode
 - Bidirectional data transfer between masters and slaves
 - Multi-master bus (no central master)
 - Arbitration between simultaneously transmitting masters without corruption of serial data on the bus
 - Serial clock synchronization allowing devices with different bit rates to communicate via one serial bus
 - Serial clock synchronization used as a handshake mechanism to suspend and resume serial transfer
 - Programmable clocks allowing for versatile rate control
 - Supports multiple address recognition (four slave address with mask option)
 - Supports wake-up function
- I²S
 - Interface with external audio CODEC
 - Operate as either Master or Slave mode
 - Capable of handling 8-, 16-, 24- and 32-bit word sizes
 - Supports mono and stereo audio data
 - Supports I²S and MSB justified data format
 - Provides two 8 word FIFO data buffers, one for transmitting and the other for receiving
 - Generates interrupt requests when buffer levels cross a programmable boundary
 - Supports two DMA requests, one for transmitting and the other for receiving
- PS/2 Device
 - Host communication inhibit and request to send detection
 - Reception frame error detection
 - Programmable 1 to 16 bytes transmit buffer to reduce CPU intervention
 - Double buffer for data reception
 - Software override bus
- CAN 2.0
 - Supports CAN protocol version 2.0 part A and B
 - Bit rates up to 1M bit/s
 - 32 Message Objects
 - Each Message Object has its own identifier mask
 - Programmable FIFO mode (concatenation of Message Object)
 - Maskable interrupt
 - Disabled Automatic Re-transmission mode for Time Triggered CAN applications
 - Supports Power-down wake-up function
- USB 2.0 Full-Speed Device
 - One set of USB 2.0 FS Device 12 Mbps
 - On-chip USB Transceiver
 - Provides 1 interrupt source with 4 interrupt events
 - Supports Control, Bulk In/Out, Interrupt and Isochronous transfers
 - Auto suspend function when no bus signaling for 3 ms
 - Provides 8 programmable endpoints
 - Includes 512 Bytes internal SRAM as USB buffer



- Provides remote wake-up capability
- ADC
 - 12-bit SAR ADC with 1 MSPS(chip working at 5V)
 - Up to 8-ch single-end input or 4-ch differential input
 - Single scan/single cycle scan/continuous scan
 - Each channel with individual result register
 - Scan on enabled channels
 - Threshold voltage detection
 - Conversion started by software programming, external input or PWM Center-aligned trigger
 - Supports PDMA mode
- Analog Comparator
 - Up to two analog comparators
 - External input or internal Band-gap voltage selectable at negative node
 - Interrupt when compare result change
 - Supports Power-down wake-up
- EBI (External bus interface)
 - Accessible space: 64 KB in 8-bit mode or 128 KB in 16-bit mode
 - Supports 8-/16-bit data width
 - Supports byte write in 16-bit data width mode
- 96-bit unique ID (UID)
- 128-bit unique customer ID(UCID)
- One built-in temperature sensor with 1°C resolution
- Brown-out Detector
 - With 4 levels: 4.4 V/3.7 V/2.7 V/2.2 V
 - Supports Brown-out Interrupt and Reset option
- Low Voltage Reset
 - Threshold voltage level: 2.0 V
- Operating Temperature: -40°C ~ 105°C
- Packages:
 - All Green package (RoHS)
 - LQFP 100-pin / 64-pin / 48-pin



3 ABBREVIATIONS

Acronym	Description
ACMP	Analog Comparator Controller
ADC	Analog-to-Digital Converter
AES	Advanced Encryption Standard
APB	Advanced Peripheral Bus
AHB	Advanced High-Performance Bus
BOD	Brown-out Detection
CAN	Controller Area Network
DAP	Debug Access Port
DES	Data Encryption Standard
EBI	External Bus Interface
EPWM	Enhanced Pulse Width Modulation
FIFO	First In, First Out
FMC	Flash Memory Controller
FPU	Floating-point Unit
GPIO	General-Purpose Input/Output
HCLK	The Clock of Advanced High-Performance Bus
HIRC	22.1184 MHz Internal High Speed RC Oscillator
HXT	4~24 MHz External High Speed Crystal Oscillator
IAP	In Application Programming
ICP	In Circuit Programming
ISP	In System Programming
LDO	Low Dropout Regulator
LIN	Local Interconnect Network
LIRC	10 kHz internal low speed RC oscillator (LIRC)
MPU	Memory Protection Unit
NVIC	Nested Vectored Interrupt Controller
PCLK	The Clock of Advanced Peripheral Bus
PDMA	Peripheral Direct Memory Access
PLL	Phase-Locked Loop
PWM	Pulse Width Modulation
QEI	Quadrature Encoder Interface
SDIO	Secure Digital Input/Output
SPI	Serial Peripheral Interface



SPS	Samples per Second
TDES	Triple Data Encryption Standard
TMR	Timer Controller
UART	Universal Asynchronous Receiver/Transmitter
UCID	Unique Customer ID
USB	Universal Serial Bus
WDT	Watchdog Timer
WWDT	Window Watchdog Timer

Table 3-1 List of Abbreviations



4 PARTS INFORMATION LIST AND PIN CONFIGURATION

4.1 NuMicro™ NUC230/240xxxAE Selection Guide

4.1.1 NuMicro™ NUC230 Automotive Line Selection Guide

Part Number	APROM (KB)	RAM (KB)	Data Flash (KB)	ISP ROM (KB)	I/O	Timer (32-bit)	Connectivity						I ² S	SC	Comp.	PWM	ADC (12-bit)	RTC	EBI	ISP/ICP/IAP	Package
							UART	SPI	I ² C	USB	LIN	CAN									
NUC230LC2AE	32	8	4	8	35	4	5	1	2	-	3	2	1	2	1	4	7	v	-	v	LQFP48
NUC230LD2AE	64	8	4	8	35	4	5	1	2	-	3	2	1	2	1	4	7	v	-	v	LQFP48
NUC230LE3AE	128	16	Config.	8	35	4	5	1	2	-	3	2	1	2	1	4	7	v	-	v	LQFP48
NUC230SC2AE	32	8	4	8	49	4	5	2	2	-	3	2	1	2	2	6	7	v	v	v	LQFP64
NUC230SD2AE	64	8	4	8	49	4	5	2	2	-	3	2	1	2	2	6	7	v	v	v	LQFP64
NUC230SE3AE	128	16	Config.	8	49	4	5	2	2	-	3	2	1	2	2	6	7	v	v	v	LQFP64
NUC230VE3AE	128	16	Config.	8	83	4	6	4	2	-	3	2	1	3	2	8	8	v	v	v	LQFP100

4.1.2 NuMicro™ NUC240 Connectivity Line Selection Guide

Part Number	APROM (KB)	RAM (KB)	Data Flash (KB)	ISP ROM (KB)	I/O	Timer (32-bit)	Connectivity						I ² S	SC	Comp.	PWM	ADC (12-bit)	RTC	EBI	ISP/ICP/IAP	Package
							UART	SPI	I ² C	USB	LIN	CAN									
NUC240LC2AE	32	8	4	8	31	4	4	1	2	1	2	2	1	1	1	4	7	v	-	v	LQFP48
NUC240LD2AE	64	8	4	8	31	4	4	1	2	1	2	2	1	1	1	4	7	v	-	v	LQFP48
NUC240LE3AE	128	16	Config.	8	31	4	4	1	2	1	2	2	1	1	1	4	7	v	-	v	LQFP48
NUC240SC2AE	32	8	4	8	45	4	5	2	2	1	3	2	1	2	2	4	7	v	v	v	LQFP64
NUC240SD2AE	64	8	4	8	45	4	5	2	2	1	3	2	1	2	2	4	7	v	v	v	LQFP64
NUC240SE3AE	128	16	Config.	8	45	4	5	2	2	1	3	2	1	2	2	4	7	v	v	v	LQFP64
NUC240VE3AE	128	16	Config.	8	79	4	6	4	2	1	3	2	1	3	2	8	8	v	v	v	LQFP100

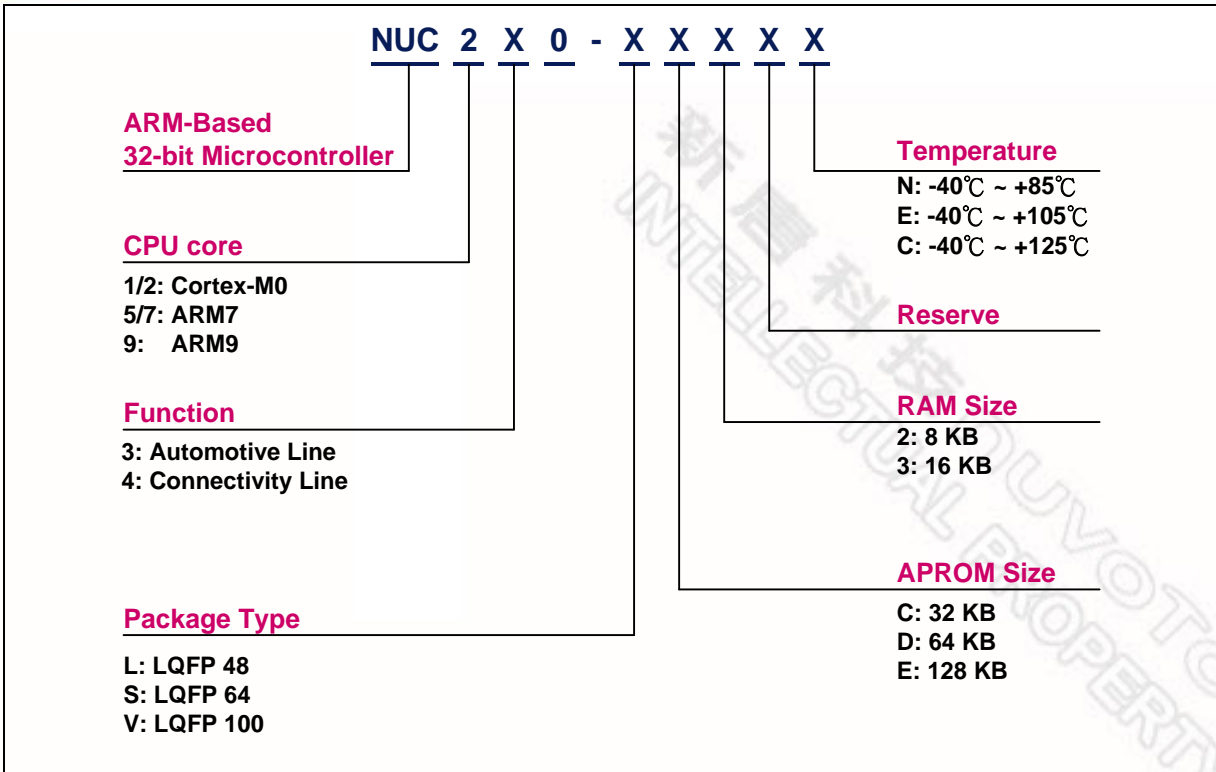


Figure 4-1 NuMicro™ NUC230/240 Series Selection Code



4.2.1.2 NuMicro™ NUC230SxxAE LQFP 64 pin

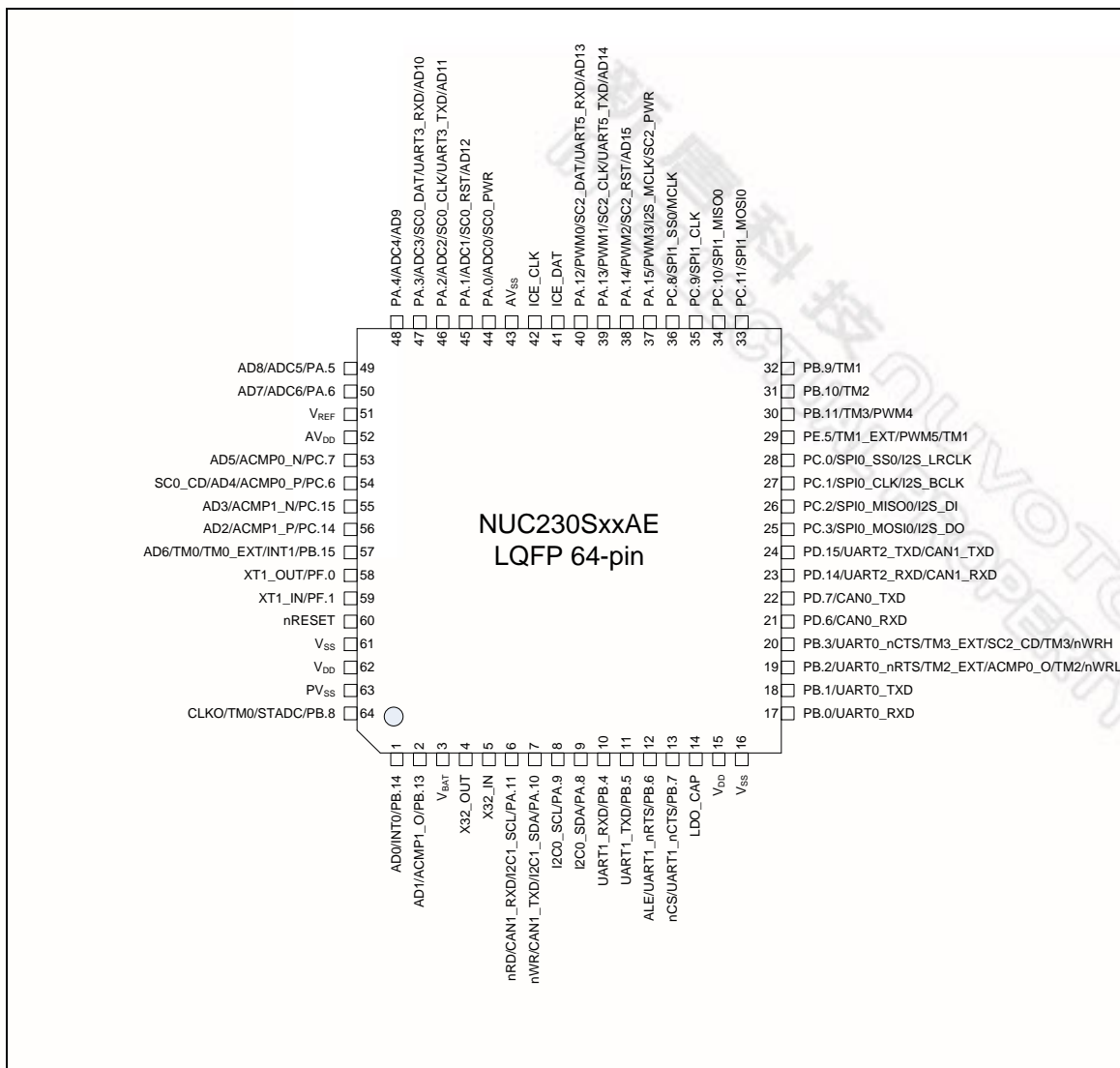


Figure 4-3 NuMicro™ NUC230SxxAE LQFP 64-pin Diagram



4.2.1.3 NuMicro™ NUC230LxxAE LQFP 48 pin

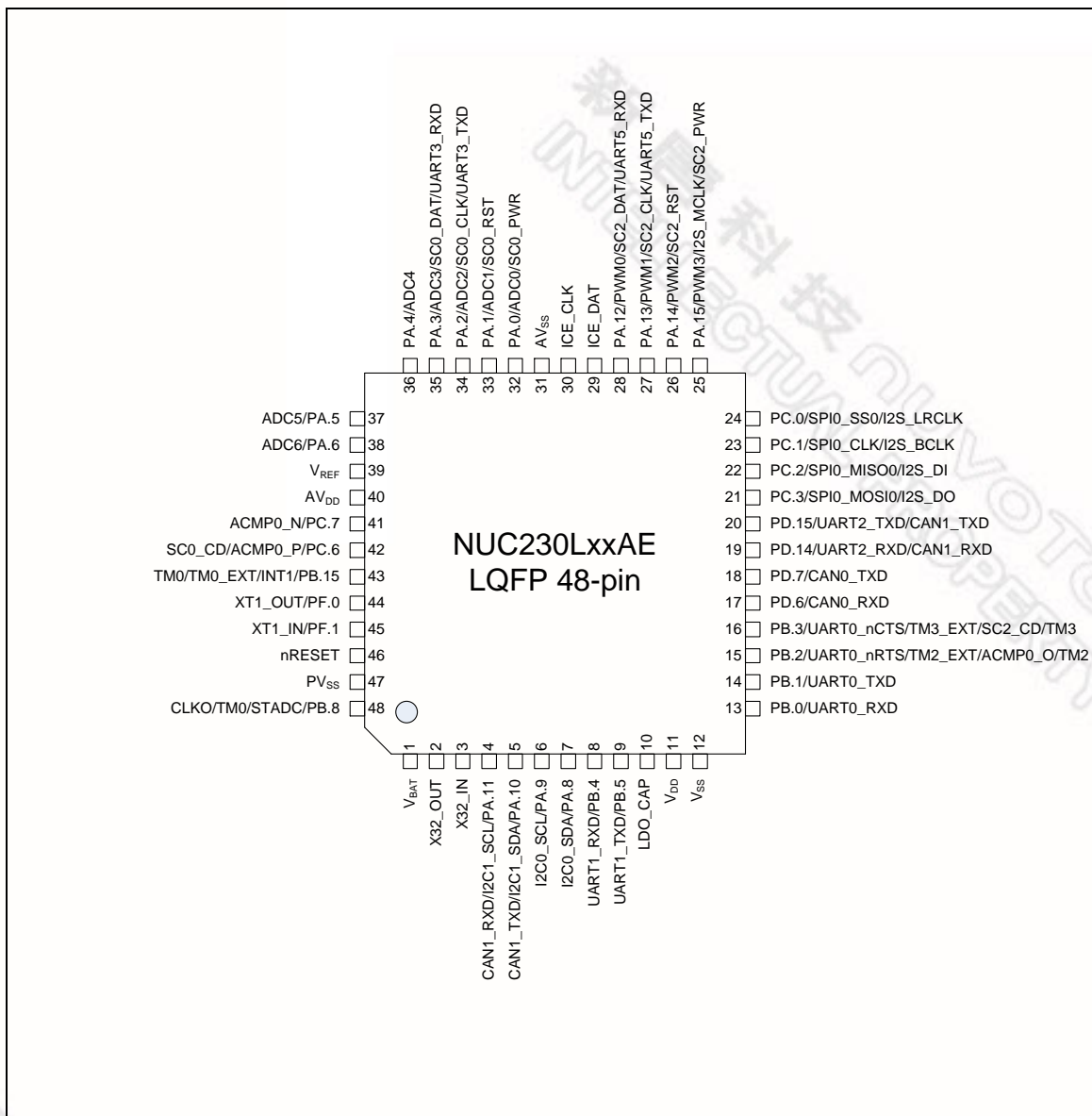


Figure 4-4 NuMicro™ NUC230LxxAE LQFP 48-pin Diagram



4.2.2 NuMicro™ NUC240 Pin Diagram

4.2.2.1 NuMicro™ NUC240VxxAE LQFP 100 pin

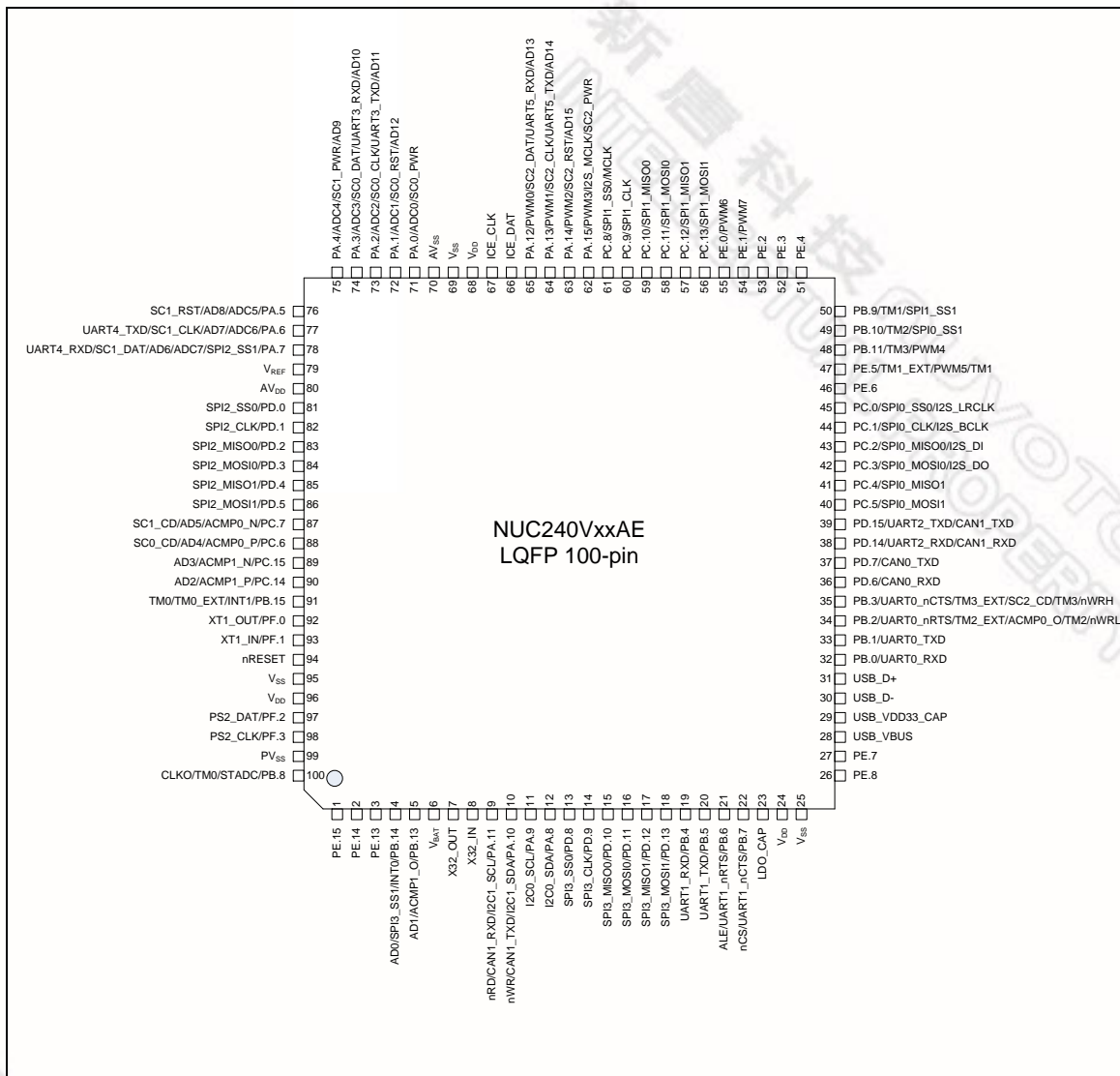


Figure 4-5 NuMicro™ NUC240VxxAE LQFP 100-pin Diagram



4.2.2.2 NuMicro™ NUC240SxxAE LQFP 64 pin

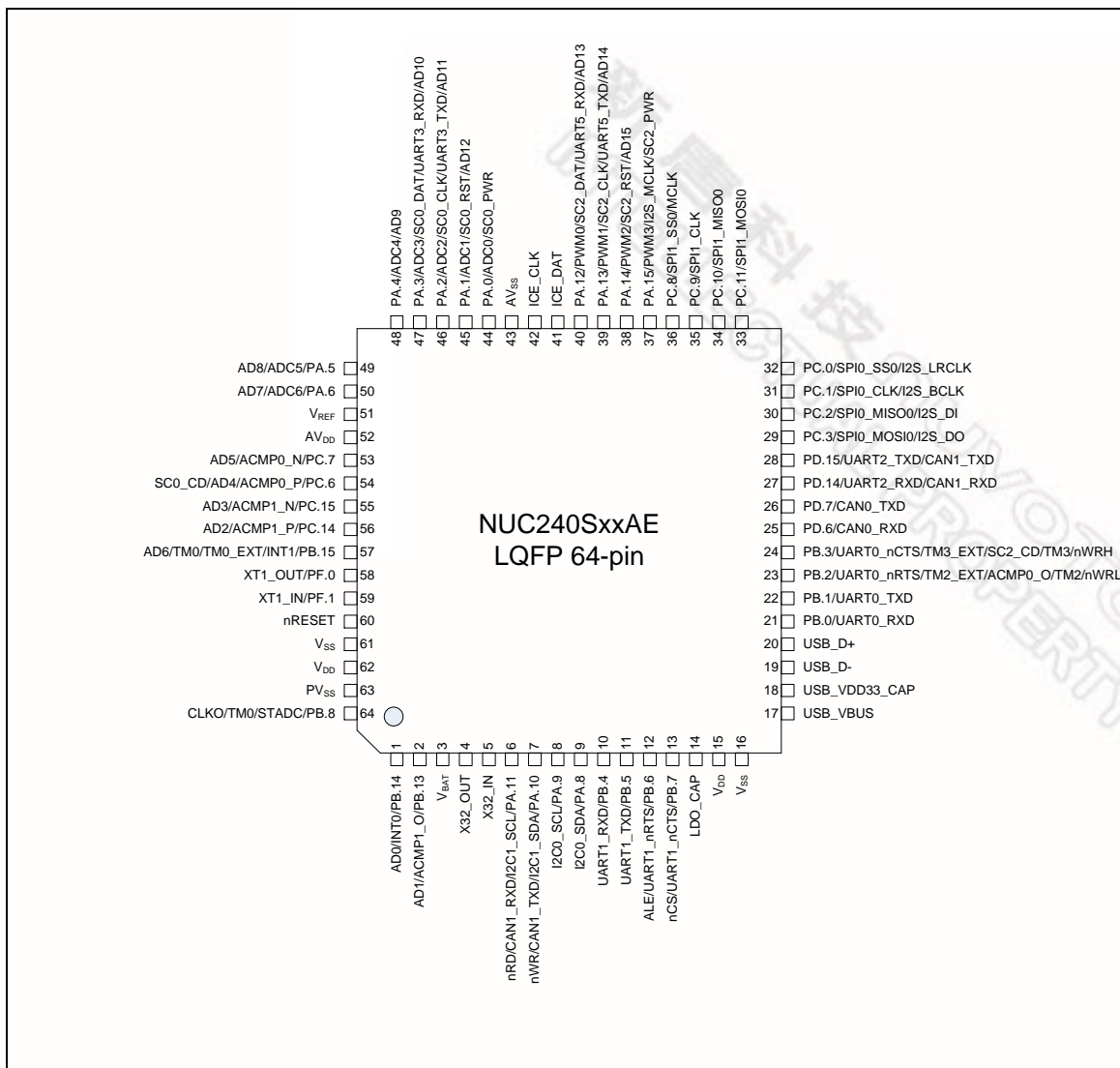


Figure 4-6 NuMicro™ NUC240SxxAE LQFP 64-pin Diagram

4.2.2.3 NuMicro™ NUC240LxxAE LQFP 48 pin

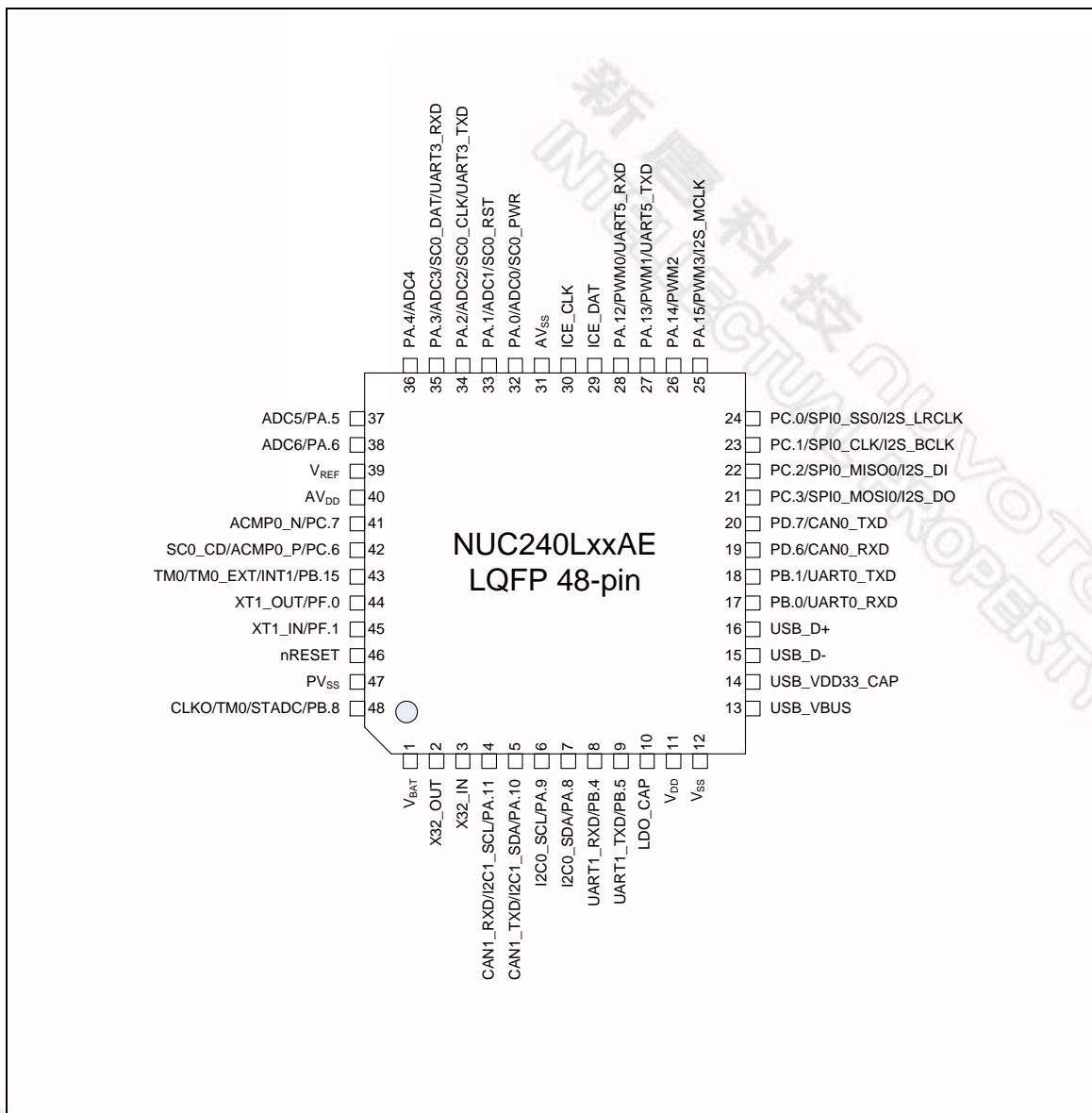


Figure 4-7 NuMicro™ NUC240LxxAE LQFP 48-pin Diagram



4.3 Pin Description

4.3.1 NuMicro™ NUC230 Pin Description

Pin No.			Pin Name	Pin Type	Description
LQFP 100-pin	LQFP 64-pin	LQFP 48-pin			
1			PE.15	I/O	General purpose digital I/O pin.
2			PE.14	I/O	General purpose digital I/O pin.
3			PE.13	I/O	General purpose digital I/O pin.
4	1		PB.14	I/O	General purpose digital I/O pin.
			AD0	I/O	EBI Address/Data bus bit0
			INT0	I	External interrupt0 input pin.
			SPI3_SS1	I/O	2 nd SPI3 slave select pin.
5	2		PB.13	I/O	General purpose digital I/O pin.
			AD1	I/O	EBI Address/Data bus bit1
			ACMP1_O	O	Comparator1 output pin.
6	3	1	V _{BAT}	P	Power supply by batteries for RTC.
7	4	2	X32_OUT	O	External 32.768 kHz (low speed) crystal output pin.
8	5	3	X32_IN	I	External 32.768 kHz (low speed) crystal input pin.
9	6	4	PA.11	I/O	General purpose digital I/O pin.
			I2C1_SCL	I/O	I ² C1 clock pin.
			CAN1_RXD	I	Data receiver input pin for CAN1.
		nRD	O	EBI read enable output pin	
10	7	5	PA.10	I/O	General purpose digital I/O pin.
			I2C1_SDA	I/O	I ² C1 data input/output pin.
			CAN1_TXD	O	Data transmitter output pin for CAN1.
		nWR	O	EBI write enable output pin	
11	8	6	PA.9	I/O	General purpose digital I/O pin.
			I2C0_SCL	I/O	I ² C0 clock pin.
12	9	7	PA.8	I/O	General purpose digital I/O pin.
			I2C0_SDA	I/O	I ² C0 data input/output pin.
13			PD.8	I/O	General purpose digital I/O pin.
			SPI3_SS0	I/O	1 st SPI3 slave select pin.
14			PD.9	I/O	General purpose digital I/O pin.
			SPI3_CLK	I/O	SPI3 serial clock pin.
15			PD.10	I/O	General purpose digital I/O pin.



Pin No.			Pin Name	Pin Type	Description
LQFP 100-pin	LQFP 64-pin	LQFP 48-pin			
			SPI3_MISO0	I/O	1 st SPI3 MISO (Master In, Slave Out) pin.
16			PD.11	I/O	General purpose digital I/O pin.
			SPI3_MOSI0	I/O	1 st SPI3 MOSI (Master Out, Slave In) pin.
17			PD.12	I/O	General purpose digital I/O pin.
			SPI3_MISO1	I/O	2 nd SPI3 MISO (Master In, Slave Out) pin.
18			PD.13	I/O	General purpose digital I/O pin.
			SPI3_MOSI1	I/O	2 nd SPI3 MOSI (Master Out, Slave In) pin.
19	10	8	PB.4	I/O	General purpose digital I/O pin.
			UART1_RXD	I	Data receiver input pin for UART1.
20	11	9	PB.5	I/O	General purpose digital I/O pin.
			UART1_TXD	O	Data transmitter output pin for UART1.
21	12		PB.6	I/O	General purpose digital I/O pin.
			ALE	O	EBI address latch enable output pin
			UART1_nRTS	O	Request to Send output pin for UART1.
22	13		PB.7	I/O	General purpose digital I/O pin.
			nCS	O	EBI chip select enable output pin
			UART1_nCTS	I	Clear to Send input pin for UART1.
23	14	10	LDO_CAP	P	LDO output pin.
24	15	11	V _{DD}	P	Power supply for I/O ports and LDO source for internal PLL and digital circuit.
25	16	12	V _{SS}	P	Ground pin for digital circuit.
26			PE.12	I/O	General purpose digital I/O pin.
27			PE.11	I/O	General purpose digital I/O pin.
28			PE.10	I/O	General purpose digital I/O pin.
29			PE.9	I/O	General purpose digital I/O pin.
30			PE.8	I/O	General purpose digital I/O pin.
31			PE.7	I/O	General purpose digital I/O pin.
32	17	13	PB.0	I/O	General purpose digital I/O pin.
			UART0_RXD	I	Data receiver input pin for UART0.
33	18	14	PB.1	I/O	General purpose digital I/O pin.
			UART0_TXD	O	Data transmitter output pin for UART0.
34	19	15	PB.2	I/O	General purpose digital I/O pin.
			UART0_nRTS	O	Request to Send output pin for UART0.



Pin No.			Pin Name	Pin Type	Description
LQFP 100-pin	LQFP 64-pin	LQFP 48-pin			
			TM2_EXT	I	Timer2 external capture input pin.
			ACMP0_O	O	Comparator0 output pin.
			nWRL	O	EBI low byte write enable output pin
35	20	16	PB.3	I/O	General purpose digital I/O pin.
			UART0_nCTS	I	Clear to Send input pin for UART0.
			TM3_EXT	I	Timer3 external capture input pin.
			SC2_CD	I	SmartCard2 card detect pin.
		nWRH	O	EBI high byte write enable output pin	
36	21	17	PD.6	I/O	General purpose digital I/O pin.
			CAN0_RXD	I	Data receiver input pin for CAN0.
37	22	18	PD.7	I/O	General purpose digital I/O pin.
			CAN0_TXD	O	Data transmitter output pin for CAN0.
38	23	19	PD.14	I/O	General purpose digital I/O pin.
			UART2_RXD	I	Data receiver input pin for UART2.
			CAN1_RXD	I	Data receiver input pin for CAN1.
39	24	20	PD.15	I/O	General purpose digital I/O pin.
			UART2_TXD	O	Data transmitter output pin for UART2.
			CAN1_TXD	O	Data transmitter output pin for CAN1.
40			PC.5	I/O	General purpose digital I/O pin.
			SPI0_MOSI1	I/O	2 nd SPI0 MOSI (Master Out, Slave In) pin.
41			PC.4	I/O	General purpose digital I/O pin.
			SPI0_MISO1	I/O	2 nd SPI0 MISO (Master In, Slave Out) pin.
42	25	21	PC.3	I/O	General purpose digital I/O pin.
			SPI0_MOSI0	I/O	1 st SPI0 MOSI (Master Out, Slave In) pin.
			I2S_DO	O	I ² S data output.
43	26	22	PC.2	I/O	General purpose digital I/O pin.
			SPI0_MISO0	I/O	1 st SPI0 MISO (Master In, Slave Out) pin.
			I2S_DI	I	I ² S data input.
44	27	23	PC.1	I/O	General purpose digital I/O pin.
			SPI0_CLK	I/O	SPI0 serial clock pin.
			I2S_BCLK	I/O	I ² S bit clock pin.
45	28	24	PC.0	I/O	General purpose digital I/O pin.



Pin No.			Pin Name	Pin Type	Description
LQFP 100-pin	LQFP 64-pin	LQFP 48-pin			
			SPI0_SS0	I/O	1 st SPI0 slave select pin.
			I2S_LRCLK	I/O	I ² S left right channel clock.
46			PE.6	I/O	General purpose digital I/O pin.
47	29		PE.5	I/O	General purpose digital I/O pin.
			PWM5	I/O	PWM5 output/Capture input.
			TM1_EXT	I	Timer1 external capture input pin.
			TM1	O	Timer1 toggle output pin.
48	30		PB.11	I/O	General purpose digital I/O pin.
			TM3	I/O	Timer3 event counter input / toggle output.
			PWM4	I/O	PWM4 output/Capture input.
49	31		PB.10	I/O	General purpose digital I/O pin.
			TM2	I/O	Timer2 event counter input / toggle output.
				SPI0_SS1	I/O
50	32		PB.9	I/O	General purpose digital I/O pin.
			TM1	I/O	Timer1 event counter input / toggle output.
				SPI1_SS1	I/O
51			PE.4	I/O	General purpose digital I/O pin.
52			PE.3	I/O	General purpose digital I/O pin.
53			PE.2	I/O	General purpose digital I/O pin.
54			PE.1	I/O	General purpose digital I/O pin.
			PWM7	I/O	PWM7 output/Capture input.
55			PE.0	I/O	General purpose digital I/O pin.
			PWM6	I/O	PWM6 output/Capture input.
56			PC.13	I/O	General purpose digital I/O pin.
			SPI1_MOSI1	I/O	2 nd SPI1 MOSI (Master Out, Slave In) pin.
57			PC.12	I/O	General purpose digital I/O pin.
			SPI1_MISO1	I/O	2 nd SPI1 MISO (Master In, Slave Out) pin.
58	33		PC.11	I/O	General purpose digital I/O pin.
			SPI1_MOSI0	I/O	1 st SPI1 MOSI (Master Out, Slave In) pin.
59	34		PC.10	I/O	General purpose digital I/O pin.
			SPI1_MISO0	I/O	1 st SPI1 MISO (Master In, Slave Out) pin.
60	35		PC.9	I/O	General purpose digital I/O pin.



Pin No.			Pin Name	Pin Type	Description
LQFP 100-pin	LQFP 64-pin	LQFP 48-pin			
			SPI1_CLK	I/O	SPI1 serial clock pin.
61	36		PC.8	I/O	General purpose digital I/O pin.
			MCLK	O	EBI clock output
			SPI1_SS0	I/O	1 st SPI1 slave select pin.
62	37	25	PA.15	I/O	General purpose digital I/O pin.
			PWM3	I/O	PWM output/Capture input.
			I2S_MCLK	O	I ² S master clock output pin.
			SC2_PWR	O	SmartCard2 power pin.
63	38	26	PA.14	I/O	General purpose digital I/O pin.
			PWM2	I/O	PWM2 output/Capture input.
			SC2_RST	O	SmartCard2 reset pin.
		AD15	I/O	EBI Address/Data bus bit15	
64	39	27	PA.13	I/O	General purpose digital I/O pin.
			PWM1	I/O	PWM1 output/Capture input.
			SC2_CLK	O	SmartCard2 clock pin.
			UART5_TXD	O	Data transmitter output pin for UART5.
		AD14	I/O	EBI Address/Data bus bit14	
65	40	28	PA.12	I/O	General purpose digital I/O pin.
			PWM0	I/O	PWM0 output/Capture input.
			SC2_DAT	O	SmartCard2 data pin.
			UART5_RXD	I	Data receiver input pin for UART5.
		AD13	I/O	EBI Address/Data bus bit13	
66	41	29	ICE_DAT	I/O	Serial wire debugger data pin.
67	42	30	ICE_CLK	I	Serial wire debugger clock pin.
68			V _{DD}	P	Power supply for I/O ports and LDO source for internal PLL and digital circuit.
69			V _{SS}	P	Ground pin for digital circuit.
70	43	31	AV _{SS}	AP	Ground pin for analog circuit.
71	44	32	PA.0	I/O	General purpose digital I/O pin.
			ADC0	AI	ADC0 analog input.
			SC0_PWR	O	SmartCard0 power pin.
72	45	33	PA.1	I/O	General purpose digital I/O pin.
			ADC1	AI	ADC1 analog input.



Pin No.			Pin Name	Pin Type	Description
LQFP 100-pin	LQFP 64-pin	LQFP 48-pin			
			SC0_RST	O	SmartCard0 reset pin.
			AD12	I/O	EBI Address/Data bus bit12
73	46	34	PA.2	I/O	General purpose digital I/O pin.
			ADC2	AI	ADC2 analog input.
			SC0_CLK	O	SmartCard0 clock pin.
			UART3_TXD	O	Data transmitter output pin for UART3.
			AD11	I/O	EBI Address/Data bus bit11
74	47	35	PA.3	I/O	General purpose digital I/O pin.
			ADC3	AI	ADC3 analog input.
			SC0_DAT	O	SmartCard0 data pin.
			UART3_RXD	I	Data receiver input pin for UART3.
			AD10	I/O	EBI Address/Data bus bit10
75	48	36	PA.4	I/O	General purpose digital I/O pin.
			ADC4	AI	ADC4 analog input.
			AD9	I/O	EBI Address/Data bus bit9
			SC1_PWR	O	SmartCard1 power pin.
76	49	37	PA.5	I/O	General purpose digital I/O pin.
			ADC5	AI	ADC5 analog input.
			AD8	I/O	EBI Address/Data bus bit8
			SC1_RST	O	SmartCard1 reset pin.
77	50	38	PA.6	I/O	General purpose digital I/O pin.
			ADC6	AI	ADC6 analog input.
		AD7	I/O	EBI Address/Data bus bit7	
		SC1_CLK	I/O	SmartCard1 clock pin.	
		UART4_TXD	O	Data transmitter output pin for UART4.	
78			PA.7	I/O	General purpose digital I/O pin.
			ADC7	AI	ADC7 analog input.
			AD6	I/O	EBI Address/Data bus bit6
			SC1_DAT	O	SmartCard1 data pin.
			UART4_RXD	I	Data receiver input pin for UART4.
			SPI2_SS1	I/O	2 nd SPI2 slave select pin.
79	51	39	V _{REF}	AP	Voltage reference input for ADC.
80	52	40	AV _{DD}	AP	Power supply for internal analog circuit.



Pin No.			Pin Name	Pin Type	Description
LQFP 100-pin	LQFP 64-pin	LQFP 48-pin			
81			PD.0	I/O	General purpose digital I/O pin.
			SPI2_SS0	I/O	1 st SPI2 slave select pin.
82			PD.1	I/O	General purpose digital I/O pin.
			SPI2_CLK	I/O	SPI2 serial clock pin.
83			PD.2	I/O	General purpose digital I/O pin.
			SPI2_MISO0	I/O	1 st SPI2 MISO (Master In, Slave Out) pin.
84			PD.3	I/O	General purpose digital I/O pin.
			SPI2_MOSI0	I/O	1 st SPI2 MOSI (Master Out, Slave In) pin.
85			PD.4	I/O	General purpose digital I/O pin.
			SPI2_MISO1	I/O	2 nd SPI2 MISO (Master In, Slave Out) pin.
86			PD.5	I/O	General purpose digital I/O pin.
			SPI2_MOSI1	I/O	2 nd SPI2 MOSI (Master Out, Slave In) pin.
87	53	41	PC.7	I/O	General purpose digital I/O pin.
			CMP0_N	AI	Comparator0 negative input pin.
			AD5	I/O	EBI Address/Data bus bit5
			SC1_CD	I	SmartCard1 card detect pin.
88	54	42	PC.6	I/O	General purpose digital I/O pin.
			ACMP0_P	AI	Comparator0 positive input pin.
			SC0_CD	I	SmartCard0 card detect pin.
			AD4	I/O	EBI Address/Data bus bit4
89	55		PC.15	I/O	General purpose digital I/O pin.
			AD3	I/O	EBI Address/Data bus bit3
			ACMP1_N	AI	Comparator1 negative input pin.
90	56		PC.14	I/O	General purpose digital I/O pin.
			AD2	I/O	EBI Address/Data bus bit2
			ACMP1_P	AI	Comparator1 positive input pin.
91	57	43	PB.15	I/O	General purpose digital I/O pin.
			INT1	I	External interrupt1 input pin.
			TM0_EXT	I	Timer0 external capture input pin.
			TM0	O	Timer0 toggle output pin.
92	58	44	PF.0	I/O	General purpose digital I/O pin.
			XT1_OUT	O	External 4~24 MHz (high speed) crystal output pin.



Pin No.			Pin Name	Pin Type	Description
LQFP 100-pin	LQFP 64-pin	LQFP 48-pin			
93	59	45	PF.1	I/O	General purpose digital I/O pin.
			XT1_IN	I	External 4~24 MHz (high speed) crystal input pin.
94	60	46	nRESET	I	External reset input: active LOW, with an internal pull-up. Set this pin low reset chip to initial state.
95	61		V _{SS}	P	Ground pin for digital circuit.
96	62		V _{DD}	P	Power supply for I/O ports and LDO source for internal PLL and digital circuit.
97			PF.2	I/O	General purpose digital I/O pin.
			PS2_DAT	I/O	PS2 data pin.
98			PF.3	I/O	General purpose digital I/O pin.
			PS2_CLK	I/O	PS2 clock pin.
99	63	47	PV _{SS}	P	PLL ground.
100	64	48	PB.8	I/O	General purpose digital I/O pin.
			STADC	I	ADC external trigger input.
			TM0	I/O	Timer0 event counter input / toggle output.
			CLKO	O	Frequency divider clock output pin.

Note: Pin Type I = Digital Input, O = Digital Output; AI = Analog Input; P = Power Pin; AP = Analog Power



4.3.2 NuMicro™ NUC240 Pin Description

Pin No.			Pin Name	Pin Type	Description
LQFP 100-pin	LQFP 64-pin	LQFP 48-pin			
1			PE.15	I/O	General purpose digital I/O pin.
2			PE.14	I/O	General purpose digital I/O pin.
3			PE.13	I/O	General purpose digital I/O pin.
4	1		PB.14	I/O	General purpose digital I/O pin.
			AD0	I/O	EBI Address/Data bus bit0
			INT0	I	External interrupt0 input pin.
			SPI3_SS1	I/O	2 nd SPI3 slave select pin.
5	2		PB.13	I/O	General purpose digital I/O pin.
			AD1	I/O	EBI Address/Data bus bit1
			ACMP1_O	O	Comparator1 output pin.
6	3	1	V _{BAT}	P	Power supply by batteries for RTC.
7	4	2	X32_OUT	O	External 32.768 kHz (low speed) crystal output pin.
8	5	3	X32_IN	I	External 32.768 kHz (low speed) crystal input pin.
9	6	4	PA.11	I/O	General purpose digital I/O pin.
			I2C1_SCL	I/O	I ² C1 clock pin.
			CAN1_RXD	I	Data receiver input pin for CAN1.
			nRD	O	EBI read enable output pin
10	7	5	PA.10	I/O	General purpose digital I/O pin.
			I2C1_SDA	I/O	I ² C1 data input/output pin.
			CAN1_TXD	O	Data transmitter output pin for CAN1.
			nWR	O	EBI write enable output pin
11	8	6	PA.9	I/O	General purpose digital I/O pin.
			I2C0_SCL	I/O	I ² C0 clock pin.
12	9	7	PA.8	I/O	General purpose digital I/O pin.
			I2C0_SDA	I/O	I ² C0 data input/output pin.
13			PD.8	I/O	General purpose digital I/O pin.
			SPI3_SS0	I/O	1 st SPI3 slave select pin.
14			PD.9	I/O	General purpose digital I/O pin.
			SPI3_CLK	I/O	SPI3 serial clock pin.
15			PD.10	I/O	General purpose digital I/O pin.
			SPI3_MISO0	I/O	1 st SPI3 MISO (Master In, Slave Out) pin.



Pin No.			Pin Name	Pin Type	Description
LQFP 100-pin	LQFP 64-pin	LQFP 48-pin			
16			PD.11	I/O	General purpose digital I/O pin.
			SPI3_MOSI0	I/O	1 st SPI3 MOSI (Master Out, Slave In) pin.
17			PD.12	I/O	General purpose digital I/O pin.
			SPI3_MISO1	I/O	2 nd SPI3 MISO (Master In, Slave Out) pin.
18			PD.13	I/O	General purpose digital I/O pin.
			SPI3_MOSI1	I/O	2 nd SPI3 MOSI (Master Out, Slave In) pin.
19	10	8	PB.4	I/O	General purpose digital I/O pin.
			UART1_RXD	I	Data receiver input pin for UART1.
20	11	9	PB.5	I/O	General purpose digital I/O pin.
			UART1_TXD	O	Data transmitter output pin for UART1.
21	12		PB.6	I/O	General purpose digital I/O pin.
			ALE	O	EBI address latch enable output pin
			UART1_nRTS	O	Request to Send output pin for UART1.
22	13		PB.7	I/O	General purpose digital I/O pin.
			nCS	O	EBI chip select enable output pin
			UART1_nCTS	I	Clear to Send input pin for UART1.
23	14	10	LDO_CAP	P	LDO output pin.
24	15	11	V _{DD}	P	Power supply for I/O ports and LDO source for internal PLL and digital circuit.
25	16	12	V _{SS}	P	Ground pin for digital circuit.
26			PE.8	I/O	General purpose digital I/O pin.
27			PE.7	I/O	General purpose digital I/O pin.
28	17	13	USB_VBUS	USB	Power supply from USB host or HUB.
29	18	14	USB_V _{DD} 33_CAP	USB	Internal power regulator output 3.3V decoupling pin.
30	19	15	USB_D-	USB	USB differential signal D-.
31	20	16	USB_D+	USB	USB differential signal D+.
32	21	17	PB.0	I/O	General purpose digital I/O pin.
			UART0_RXD	I	Data receiver input pin for UART0.
33	22	18	PB.1	I/O	General purpose digital I/O pin.
			UART0_TXD	O	Data transmitter output pin for UART0.
34	23		PB.2	I/O	General purpose digital I/O pin.
			nWRL	O	EBI low byte write enable output pin
			UART0_nRTS	O	Request to Send output pin for UART0.



Pin No.			Pin Name	Pin Type	Description
LQFP 100-pin	LQFP 64-pin	LQFP 48-pin			
			TM2_EXT	I	Timer2 external capture input pin.
			TM2	O	Timer2 toggle output pin.
			ACMP0_O	O	Comparator0 output pin.
35	24		PB.3	I/O	General purpose digital I/O pin.
			UART0_nCTS	I	Clear to Send input pin for UART0.
			nWRH	O	EBI high byte write enable output pin
			TM3_EXT	I	Timer3 external capture input pin.
			TM3	O	Timer3 toggle output pin.
			SC2_CD	I	SmartCard2 card detect pin.
36	25	19	PD.6	I/O	General purpose digital I/O pin.
			CAN0_RXD	I	Data receiver input pin for CAN0.
37	26	20	PD.7	I/O	General purpose digital I/O pin.
			CAN0_TXD	O	Data transmitter output pin for CAN0.
38	27		PD.14	I/O	General purpose digital I/O pin.
			UART2_RXD	I	Data receiver input pin for UART2.
			CAN1_RXD	I	Data receiver input pin for CAN1.
39	28		PD.15	I/O	General purpose digital I/O pin.
			UART2_TXD	O	Data transmitter output pin for UART2.
			CAN1_TXD	O	Data transmitter output pin for CAN1.
40			PC.5	I/O	General purpose digital I/O pin.
			SPI0_MOSI1	I/O	2 nd SPI0 MOSI (Master Out, Slave In) pin.
41			PC.4	I/O	General purpose digital I/O pin.
			SPI0_MISO1	I/O	2 nd SPI0 MISO (Master In, Slave Out) pin.
42	29	21	PC.3	I/O	General purpose digital I/O pin.
			SPI0_MOSI0	I/O	1 st SPI0 MOSI (Master Out, Slave In) pin.
			I2S_DO	O	I ² S data output.
43	30	22	PC.2	I/O	General purpose digital I/O pin.
			SPI0_MISO0	I/O	1 st SPI0 MISO (Master In, Slave Out) pin.
			I2S_DI	I	I ² S data input.
44	31	23	PC.1	I/O	General purpose digital I/O pin.
			SPI0_CLK	I/O	SPI0 serial clock pin.
			I2S_BCLK	I/O	I ² S bit clock pin.



Pin No.			Pin Name	Pin Type	Description
LQFP 100-pin	LQFP 64-pin	LQFP 48-pin			
45	32	24	PC.0	I/O	General purpose digital I/O pin.
			SPI0_SS0	I/O	1 st SPI0 slave select pin.
			I2S_LRCLK	I/O	I ² S left right channel clock.
46			PE.6	I/O	General purpose digital I/O pin.
47			PE.5	I/O	General purpose digital I/O pin.
			PWM5	I/O	PWM5 output/Capture input.
			TM1_EXT	I	Timer1 external capture input pin.
			TM1	O	Timer1 toggle output pin.
48			PB.11	I/O	General purpose digital I/O pin.
			TM3	I/O	Timer3 event counter input / toggle output.
			PWM4	I/O	PWM4 output/Capture input.
49			PB.10	I/O	General purpose digital I/O pin.
			TM2	I/O	Timer2 event counter input / toggle output.
			SPI0_SS1	I/O	2 nd SPI0 slave select pin.
50			PB.9	I/O	General purpose digital I/O pin.
			TM1	I/O	Timer1 event counter input / toggle output.
			SPI1_SS1	I/O	2 nd SPI1 slave select pin.
51			PE.4	I/O	General purpose digital I/O pin.
52			PE.3	I/O	General purpose digital I/O pin.
53			PE.2	I/O	General purpose digital I/O pin.
54			PE.1	I/O	General purpose digital I/O pin.
			PWM7	I/O	PWM7 output/Capture input.
55			PE.0	I/O	General purpose digital I/O pin.
			PWM6	I/O	PWM6 output/Capture input.
56			PC.13	I/O	General purpose digital I/O pin.
			SPI1_MOSI1	I/O	2 nd SPI1MOSI (Master Out, Slave In) pin.
57			PC.12	I/O	General purpose digital I/O pin.
			SPI1_MISO1	I/O	2 nd SPI1 MISO (Master In, Slave Out) pin.
58	33		PC.11	I/O	General purpose digital I/O pin.
			SPI1_MOSI0	I/O	1 st SPI1 MOSI (Master Out, Slave In) pin.
59	34		PC.10	I/O	General purpose digital I/O pin.
			SPI1_MISO0	I/O	1 st SPI1 MISO (Master In, Slave Out) pin.



Pin No.			Pin Name	Pin Type	Description
LQFP 100-pin	LQFP 64-pin	LQFP 48-pin			
60	35		PC.9	I/O	General purpose digital I/O pin.
			SPI1_CLK	I/O	SPI1 serial clock pin.
61	36		PC.8	I/O	General purpose digital I/O pin.
			MCLK	O	EBI clock output
			SPI1_SS0	I/O	1 st SPI1 slave select pin.
62	37	25	PA.15	I/O	General purpose digital I/O pin.
			PWM3	I/O	PWM3 output/Capture input.
			I2S_MCLK	O	I ² S master clock output pin.
		SC2_PWR	O	SmartCard2 power pin.	
63	38	26	PA.14	I/O	General purpose digital I/O pin.
			PWM2	I/O	PWM2 output/Capture input.
			AD15	I/O	EBI Address/Data bus bit15
			SC2_RST	O	SmartCard2 reset pin.
64	39	27	PA.13	I/O	General purpose digital I/O pin.
			PWM1	I/O	PWM1 output/Capture input.
			AD14	I/O	EBI Address/Data bus bit14
			SC2_CLK	O	SmartCard2 clock pin.
		27	UART5_TXD	O	Data transmitter output pin for UART5.
65	40	28	PA.12	I/O	General purpose digital I/O pin.
			PWM0	I/O	PWM0 output/Capture input.
			AD13	I/O	EBI Address/Data bus bit13
			SC2_DAT	O	SmartCard2 data pin.
		28	UART5_RXD	I	Data receiver input pin for UART5.
66	41	29	ICE_DAT	I/O	Serial wire debugger data pin.
67	42	30	ICE_CLK	I	Serial wire debugger clock pin.
68			V _{DD}	P	Power supply for I/O ports and LDO source for internal PLL and digital circuit.
69			V _{SS}	P	Ground pin for digital circuit.
70	43	31	AV _{SS}	AP	Ground pin for analog circuit.
71	44	32	PA.0	I/O	General purpose digital I/O pin.
			ADC0	AI	ADC0 analog input.
			SC0_PWR	O	SmartCard0 power pin.
72	45	33	PA.1	I/O	General purpose digital I/O pin.



Pin No.			Pin Name	Pin Type	Description
LQFP 100-pin	LQFP 64-pin	LQFP 48-pin			
			ADC1	AI	ADC1 analog input.
			SC0_RST	O	SmartCard0 reset pin.
			AD12	I/O	EBI Address/Data bus bit12
73	46	34	PA.2	I/O	General purpose digital I/O pin.
			ADC2	AI	ADC2 analog input.
			SC0_CLK	O	SmartCard0 clock pin.
			UART3_TXD	O	Data transmitter output pin for UART3.
			AD11	I/O	EBI Address/Data bus bit11
74	47	35	PA.3	I/O	General purpose digital I/O pin.
			ADC3	AI	ADC3 analog input.
			SC0_DAT	O	SmartCard0 data pin.
			UART3_RXD	I	Data receiver input pin for UART3.
			AD10	I/O	EBI Address/Data bus bit10
75	48	36	PA.4	I/O	General purpose digital I/O pin.
			ADC4	AI	ADC4 analog input.
			AD9	I/O	EBI Address/Data bus bit9
			SC1_PWR	O	SmartCard1 power pin.
76	49	37	PA.5	I/O	General purpose digital I/O pin.
			ADC5	AI	ADC5 analog input.
			AD8	I/O	EBI Address/Data bus bit8
			SC1_RST	O	SmartCard1 reset pin.
77	50	38	PA.6	I/O	General purpose digital I/O pin.
			ADC6	AI	ADC6 analog input.
			AD7	I/O	EBI Address/Data bus bit7
			SC1_CLK	I/O	SmartCard1 clock pin.
			UART4_TXD	O	Data transmitter output pin for UART4.
78			PA.7	I/O	General purpose digital I/O pin.
			ADC7	AI	ADC7 analog input.
			AD6	I/O	EBI Address/Data bus bit6
			SC1_DAT	O	SmartCard1 data pin.
			UART4_RXD	I	Data receiver input pin for UART4.
			SPI2_SS1	I/O	2 nd SPI2 slave select pin.



Pin No.			Pin Name	Pin Type	Description
LQFP 100-pin	LQFP 64-pin	LQFP 48-pin			
79	51	39	V _{REF}	AP	Voltage reference input for ADC.
80	52	40	AV _{DD}	AP	Power supply for internal analog circuit.
81			PD.0	I/O	General purpose digital I/O pin.
			SPI2_SS0	I/O	1 st SPI2 slave select pin.
82			PD.1	I/O	General purpose digital I/O pin.
			SPI2_CLK	I/O	SPI2 serial clock pin.
83			PD.2	I/O	General purpose digital I/O pin.
			SPI2_MISO0	I/O	1 st SPI2 MISO (Master In, Slave Out) pin.
84			PD.3	I/O	General purpose digital I/O pin.
			SPI2_MOSI0	I/O	1 st SPI2 MOSI (Master Out, Slave In) pin.
85			PD.4	I/O	General purpose digital I/O pin.
			SPI2_MISO1	I/O	2 nd SPI2 MISO (Master In, Slave Out) pin.
86			PD.5	I/O	General purpose digital I/O pin.
			SPI2_MOSI1	I/O	2 nd SPI2 MOSI (Master Out, Slave In) pin.
87	53	41	PC.7	I/O	General purpose digital I/O pin.
			ACMP0_N	AI	Comparator0 negative input pin.
				AD5	I/O
88	54	42	PC.6	I/O	General purpose digital I/O pin.
			ACMP0_P	AI	Comparator0 positive input pin.
				SC0_CD	I
89	55		AD3	I/O	EBI Address/Data bus bit3
			ACMP1_N	AI	Comparator1 negative input pin.
			PC.15	I/O	General purpose digital I/O pin.
90	56		AD2	I/O	EBI Address/Data bus bit2
			ACMP1_P	AI	Comparator1 positive input pin.
			PC.14	I/O	General purpose digital I/O pin.
91	57	43	PB.15	I/O	General purpose digital I/O pin.
			INT1	I	External interrupt1 input pin.
			TM0_EXT	I	Timer 0 external capture input pin.
			TM0	O	Timer0 toggle output pin.
			AD6	I/O	EBI Address/Data bus bit6



Pin No.			Pin Name	Pin Type	Description
LQFP 100-pin	LQFP 64-pin	LQFP 48-pin			
92	58	44	PF.0	I/O	General purpose digital I/O pin.
			XT1_OUT	O	External 4~24 MHz (high speed) crystal output pin.
93	59	45	PF.1	I/O	General purpose digital I/O pin.
			XT1_IN	I	External 4~24 MHz (high speed) crystal input pin.
94	60	46	nRESET	I	External reset input: active LOW, with an internal pull-up. Set this pin low reset chip to initial state.
95	61		V _{SS}	P	Ground pin for digital circuit.
96	62		V _{DD}	P	Power supply for I/O ports and LDO source for internal PLL and digital circuit.
97			PF.2	I/O	General purpose digital I/O pin.
			PS2_DAT	I/O	PS/2 data pin.
98			PF.3	I/O	General purpose digital I/O pin.
			PS2_CLK	I/O	PS/2 clock pin.
99	63	47	PV _{SS}	P	PLL ground.
100	64	48	PB.8	I/O	General purpose digital I/O pin.
			STADC	I	ADC external trigger input.
			TM0	I/O	Timer0 event counter input / toggle output.
			CLKO	O	Frequency divider clock output pin.

Note: Pin Type I = Digital Input, O = Digital Output; AI = Analog Input; P = Power Pin; AP = Analog Power



5 BLOCK DIAGRAM

5.1 NuMicro™ NUC230 Block Diagram

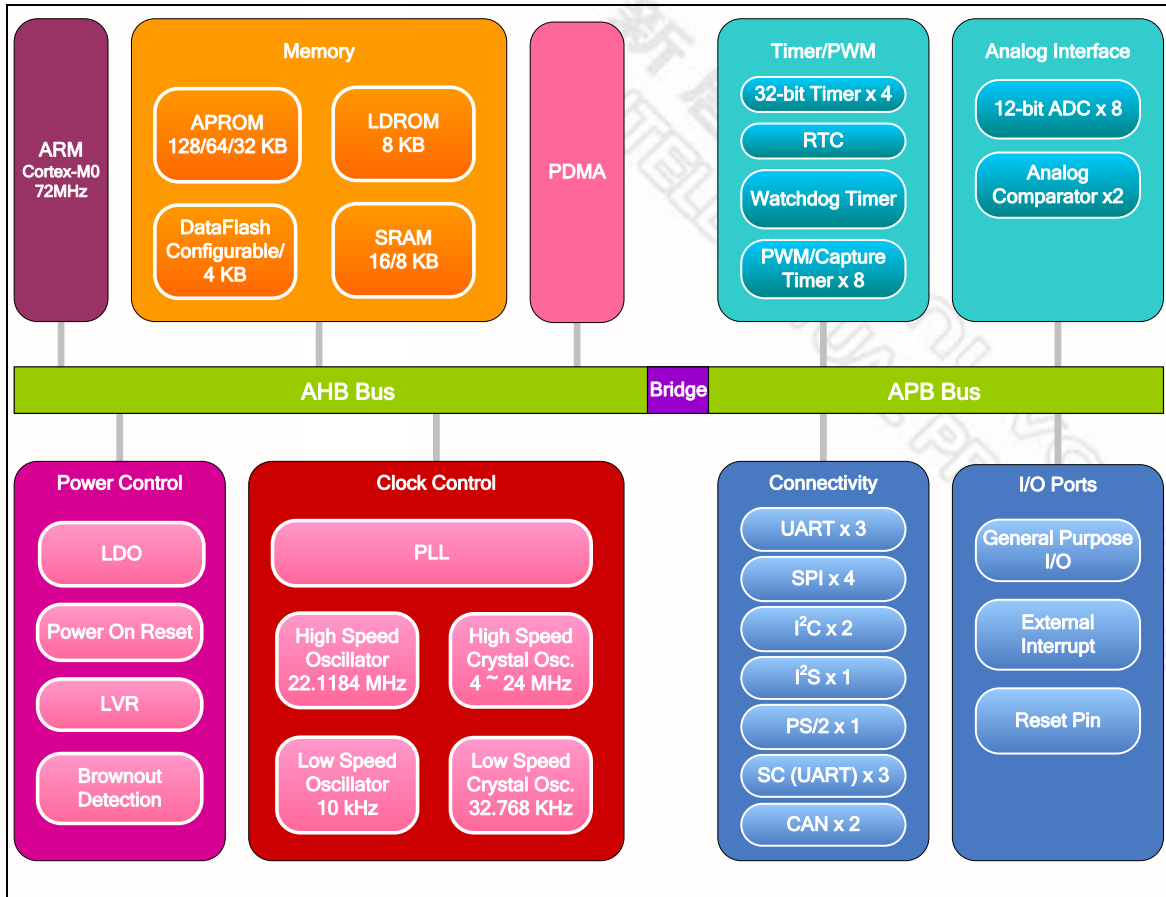


Figure 5-1 NuMicro™ NUC230 Block Diagram



5.2 NuMicro™ NUC240 Block Diagram

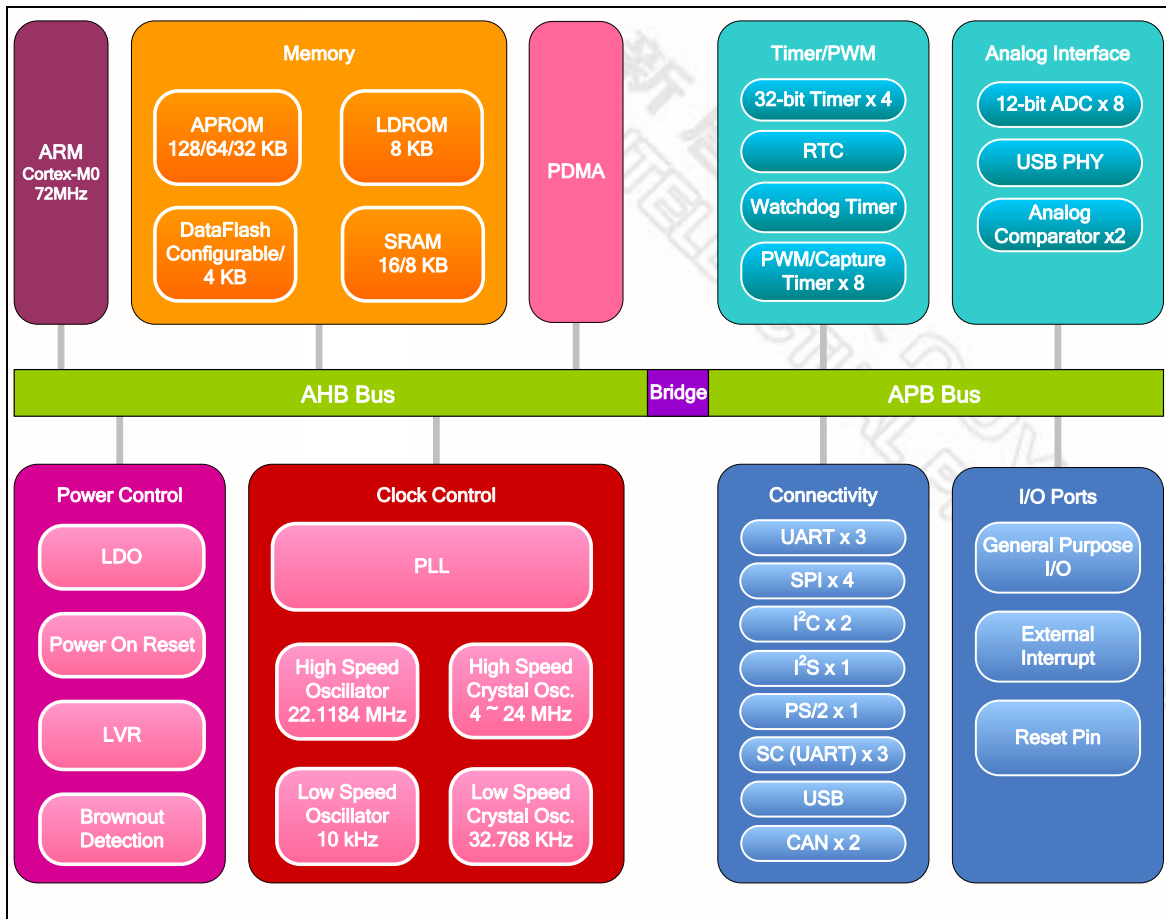


Figure 5-2 NuMicro™ NUC240 Block Diagram



6 FUNCTIONAL DESCRIPTION

6.1 ARM® Cortex™-M0 Core

The Cortex™-M0 processor is a configurable, multistage, 32-bit RISC processor, which has an AMBA AHB-Lite interface and includes an NVIC component. It also has optional hardware debug functionality. The processor can execute Thumb code and is compatible with other Cortex™-M profile processor. The profile supports two modes - Thread mode and Handler mode. Handler mode is entered as a result of an exception. An exception return can only be issued in Handler mode. Thread mode is entered on Reset, and can be entered as a result of an exception return.

Figure 6-1 shows the functional controller of processor.

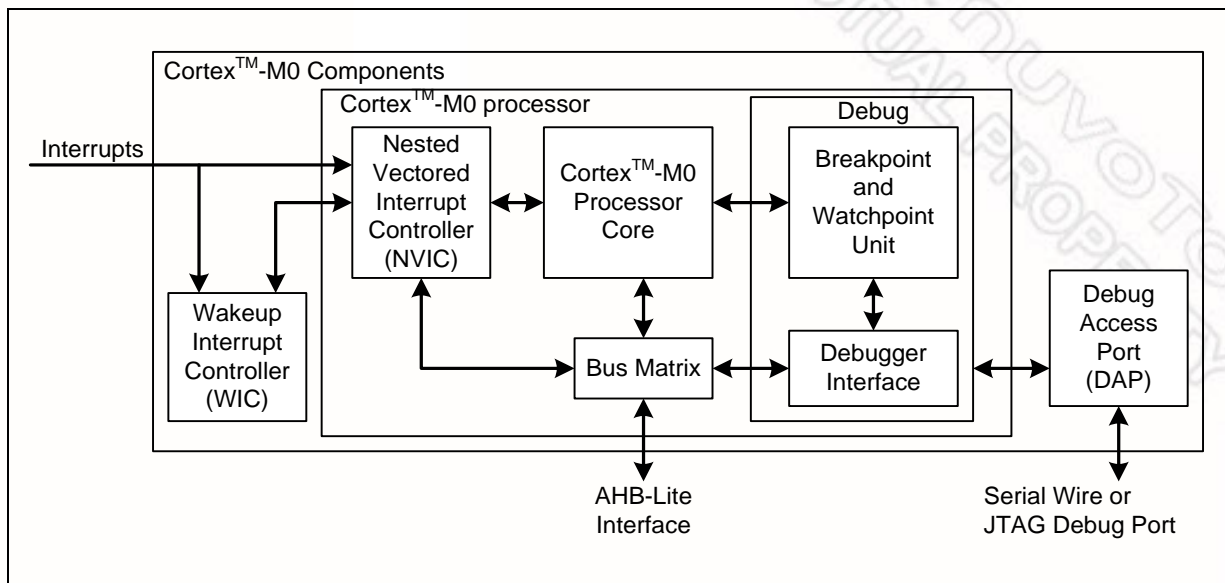


Figure 6-1 Functional Controller Diagram

The implemented device provides the following components and features:

- A low gate count processor:
 - ARMv6-M Thumb® instruction set
 - Thumb-2 technology
 - ARMv6-M compliant 24-bit SysTick timer
 - A 32-bit hardware multiplier
 - System interface supported with little-endian data accesses
 - Ability to have deterministic, fixed-latency, interrupt handling
 - Load/store-multiples and multicycle-multiplies that can be abandoned and restarted to facilitate rapid interrupt handling
 - C Application Binary Interface compliant exception model. This is the ARMv6-M, C Application Binary Interface (C-ABI) compliant exception model that enables the use of pure C functions as interrupt handlers
 - Low Power Sleep mode entry using Wait For Interrupt (WFI), Wait For Event (WFE) instructions, or the return from interrupt sleep-on-exit feature



- NVIC:
 - 32 external interrupt inputs, each with four levels of priority
 - Dedicated Non-maskable Interrupt (NMI) input
 - Supports for both level-sensitive and pulse-sensitive interrupt lines
 - Supports Wake-up Interrupt Controller (WIC) and, providing Ultra-low Power Sleep mode
- Debug support
 - Four hardware breakpoints
 - Two watchpoints
 - Program Counter Sampling Register (PCSR) for non-intrusive code profiling
 - Single step and vector catch capabilities
- Bus interfaces:
 - Single 32-bit AMBA-3 AHB-Lite system interface that provides simple integration to all system peripherals and memory
 - Single 32-bit slave port that supports the DAP (Debug Access Port)



6.2 System Manager

6.2.1 Overview

System management includes the following sections:

- System Resets
- System Memory Map
- System management registers for Part Number ID, chip reset and on-chip controllers reset , multi-functional pin control
- System Timer (SysTick)
- Nested Vectored Interrupt Controller (NVIC)
- System Control registers

6.2.2 System Reset

The system reset can be issued by one of the following listed events. For these reset event flags can be read by RSTSRC register.

- Power-on Reset
- Low level on the nRESET pin
- Watchdog Time-out Reset
- Low Voltage Reset
- Brown-out Detector Reset
- CPU Reset
- System Reset

System Reset and Power-on Reset all reset the whole chip including all peripherals. The difference between System Reset and Power-on Reset is external crystal circuit and BS(ISPCON[1]) bit. System Reset does not reset external crystal circuit and BS(ISPCON[1]) bit, but Power-on Reset does.

6.2.3 System Power Distribution

In this chip, the power distribution is divided into three segments.

- Analog power from AV_{DD} and AV_{SS} provides the power for analog components operation.
- Digital power from V_{DD} and V_{SS} supplies the power to the internal regulator which provides a fixed 1.8 V power for digital operation and I/O pins.
- USB transceiver power from V_{BUS} offers the power for operating the USB transceiver.
- Battery power from V_{BAT} supplies the RTC and external 32.768 kHz crystal.

The outputs of internal voltage regulators, LDO and V_{DD33} , require an external capacitor which should be located close to the corresponding pin. Analog power (AV_{DD}) should be the same voltage level with the digital power (V_{DD}). 錯誤! 找不到參照來源。 Figure 6-2 shows the NuMicro™ NUC230 power distribution, and Figure 6-3 shows the NuMicro™ NUC240 power distribution.

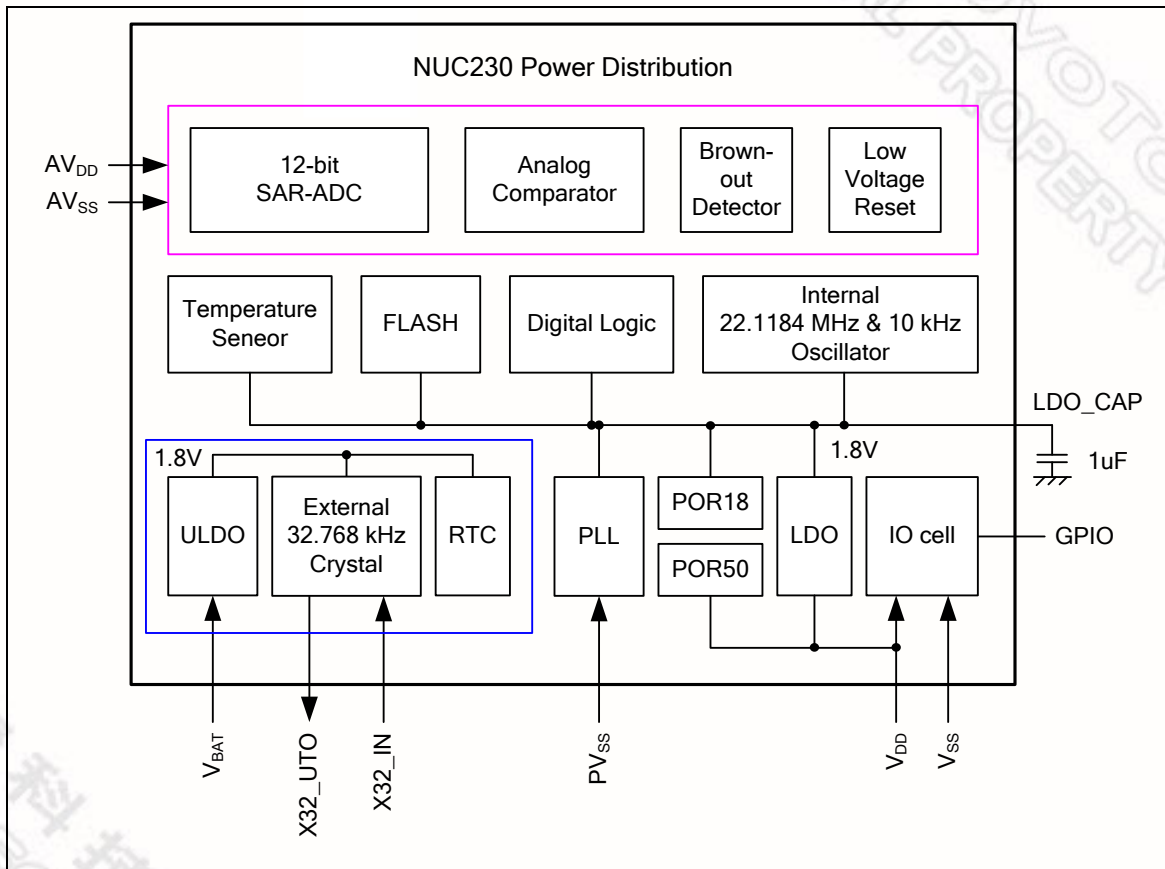


Figure 6-2 NuMicro™ NUC230 Power Distribution Diagram

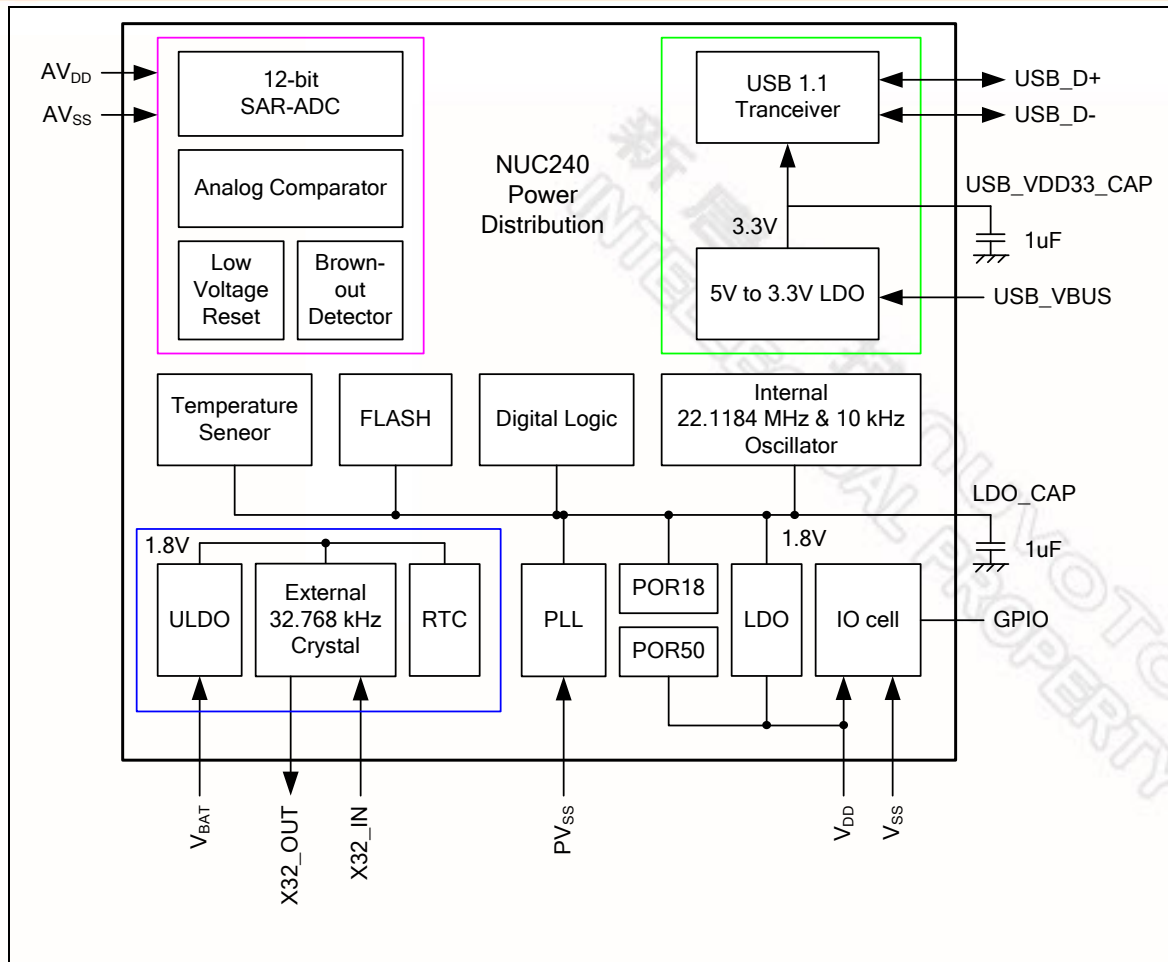


Figure 6-3 NuMicro™ NUC240 Power Distribution Diagram



6.2.4 System Memory Map

The NuMicro™ NUC230/240 series provides 4G-byte addressing space. The memory locations assigned to each on-chip controllers are shown in the following table. The detailed register definition, memory space, and programming detailed will be described in the following sections for each on-chip peripheral. The NuMicro™ NUC230/240 series only supports little-endian data format.

Address Space	Token	Controllers
Flash and SRAM Memory Space		
0x0000_0000 – 0x0001_FFFF	FLASH_BA	FLASH Memory Space (128 KB)
0x2000_0000 – 0x2000_3FFF	SRAM_BA	SRAM Memory Space (16 KB)
AHB Controllers Space (0x5000_0000 – 0x501F_FFFF)		
0x5000_0000 – 0x5000_01FF	GCR_BA	System Global Control Registers
0x5000_0200 – 0x5000_02FF	CLK_BA	Clock Control Registers
0x5000_0300 – 0x5000_03FF	INT_BA	Interrupt Multiplexer Control Registers
0x5000_4000 – 0x5000_7FFF	GPIO_BA	GPIO Control Registers
0x5000_8000 – 0x5000_BFFF	PDMA_BA	Peripheral DMA Control Registers
0x5000_C000 – 0x5000_FFFF	FMC_BA	Flash Memory Control Registers
0x5001_0000 – 0x5001_03FF	EBI_BA	External Bus Interface Control Registers
APB1 Controllers Space (0x4000_0000 ~ 0x400F_FFFF)		
0x4000_4000 – 0x4000_7FFF	WDT_BA	Watchdog Timer Control Registers
0x4000_8000 – 0x4000_BFFF	RTC_BA	Real Time Clock (RTC) Control Register
0x4001_0000 – 0x4001_3FFF	TMR01_BA	Timer0/Timer1 Control Registers
0x4002_0000 – 0x4002_3FFF	I2C0_BA	I ² C0 Interface Control Registers
0x4003_0000 – 0x4003_3FFF	SPI0_BA	SPI0 with master/slave function Control Registers
0x4003_4000 – 0x4003_7FFF	SPI1_BA	SPI1 with master/slave function Control Registers
0x4004_0000 – 0x4004_3FFF	PWMA_BA	PWM0/1/2/3 Control Registers
0x4005_0000 – 0x4005_3FFF	UART0_BA	UART0 Control Registers
0x4006_0000 – 0x4006_3FFF	USB_D_BA	USB 2.0 FS device Controller Registers
0x400D_0000 – 0x400D_3FFF	ACMP_BA	Analog Comparator Control Registers
0x400E_0000 – 0x400E_FFFF	ADC_BA	Analog-Digital-Converter (ADC) Control Registers
APB2 Controllers Space (0x4010_0000 ~ 0x401F_FFFF)		
0x4010_0000 – 0x4010_3FFF	PS2_BA	PS/2 Interface Control Registers
0x4011_0000 – 0x4011_3FFF	TMR23_BA	Timer2/Timer3 Control Registers
0x4012_0000 – 0x4012_3FFF	I2C1_BA	I ² C1 Interface Control Registers
0x4013_0000 – 0x4013_3FFF	SPI2_BA	SPI2 with master/slave function Control Registers
0x4013_4000 – 0x4013_7FFF	SPI3_BA	SPI3 with master/slave function Control Registers



0x4014_0000 – 0x4014_3FFF	PWMB_BA	PWM4/5/6/7 Control Registers
0x4015_0000 – 0x4015_3FFF	UART1_BA	UART1 Control Registers
0x4015_4000 – 0x4015_7FFF	UART2_BA	UART2 Control Registers
0x4018_0000 – 0x4018_3FFF	CAN0_BA	CAN0 Bus Control Registers
0x4018_4000 – 0x4018_7FFF	CAN1_BA	CAN1 Bus Control Registers
0x4019_0000 – 0x4019_3FFF	SC0_BA	SC0 Control Registers
0x4019_4000 – 0x4019_7FFF	SC1_BA	SC1 Control Registers
0x4019_8000 – 0x4019_BFFF	SC2_BA	SC2 Control Registers
0x401A_0000 – 0x401A_3FFF	I2S_BA	I ² S Interface Control Registers
System Controllers Space (0xE000_E000 ~ 0xE000_EFFF)		
0xE000_E010 – 0xE000_E0FF	SCS_BA	System Timer Control Registers
0xE000_E100 – 0xE000_ECFF	SCS_BA	External Interrupt Controller Control Registers
0xE000_ED00 – 0xE000_ED8F	SCS_BA	System Control Registers

Table 6-1 Address Space Assignments for On-Chip Controllers



6.2.5 System Timer (SysTick)

The Cortex™-M0 includes an integrated system timer, SysTick, which provides a simple, 24-bit clear-on-write, decrementing, wrap-on-zero counter with a flexible control mechanism. The counter can be used as a Real Time Operating System (RTOS) tick timer or as a simple counter.

When system timer is enabled, it will count down from the value in the SysTick Current Value Register (SYST_CVR) to 0, and reload (wrap) to the value in the SysTick Reload Value Register (SYST_RVR) on the next clock cycle, then decrement on subsequent clocks. When the counter transitions to 0, the COUNTFLAG status bit is set. The COUNTFLAG bit clears on reads.

The SYST_CVR value is UNKNOWN on reset. Software should write to the register to clear it to 0 before enabling the feature. This ensures the timer will count from the SYST_RVR value rather than an arbitrary value when it is enabled.

If the SYST_RVR is 0, the timer will be maintained with a current value of 0 after it is reloaded with this value. This mechanism can be used to disable the feature independently from the timer enable bit.

For more detailed information, please refer to the “ARM® Cortex™-M0 Technical Reference Manual” and “ARM® v6-M Architecture Reference Manual”.

6.2.6 Nested Vectored Interrupt Controller (NVIC)

The Cortex™-M0 provides an interrupt controller as an integral part of the exception mode, named as “Nested Vectored Interrupt Controller (NVIC)”, which is closely coupled to the processor kernel and provides following features:

- Nested and Vectored interrupt support
- Automatic processor state saving and restoration
- Reduced and deterministic interrupt latency

The NVIC prioritizes and handles all supported exceptions. All exceptions are handled in “Handler Mode”. This NVIC architecture supports 32 (IRQ[31:0]) discrete interrupts with 4 levels of priority. All of the interrupts and most of the system exceptions can be configured to different priority levels. When an interrupt occurs, the NVIC will compare the priority of the new interrupt to the current running one’s priority. If the priority of the new interrupt is higher than the current one, the new interrupt handler will override the current handler.

When an interrupt is accepted, the starting address of the interrupt service routine (ISR) is fetched from a vector table in memory. There is no need to determine which interrupt is accepted and branch to the starting address of the correlated ISR by software. While the starting address is fetched, NVIC will also automatically save processor state including the registers “PC, PSR, LR, R0~R3, R12” to the stack. At the end of the ISR, the NVIC will restore the mentioned registers from stack and resume the normal execution. Thus it will take less and deterministic time to process the interrupt request.

The NVIC supports “Tail Chaining” which handles back-to-back interrupts efficiently without the overhead of states saving and restoration and therefore reduces delay time in switching to pending ISR at the end of current ISR. The NVIC also supports “Late Arrival” which improves the efficiency of concurrent ISRs. When a higher priority interrupt request occurs before the current ISR starts to execute (at the stage of state saving and starting address fetching), the NVIC will give priority to the higher one without delay penalty. Thus it advances the real-time capability.

For more detailed information, please refer to the “ARM® Cortex™-M0 Technical Reference Manual” and “ARM® v6-M Architecture Reference Manual”.



6.2.6.1 Exception Model and System Interrupt Map

The following table lists the exception model supported by NuMicro™ NUC230/240 series. Software can set four levels of priority on some of these exceptions as well as on all interrupts. The highest user-configurable priority is denoted as “0” and the lowest priority is denoted as “3”. The default priority of all the user-configurable interrupts is “0”. Note that priority “0” is treated as the fourth priority on the system, after three system exceptions “Reset”, “NMI” and “Hard Fault”.

Exception Name	Vector Number	Priority
Reset	1	-3
NMI	2	-2
Hard Fault	3	-1
Reserved	4 ~ 10	Reserved
SVCALL	11	Configurable
Reserved	12 ~ 13	Reserved
PendSV	14	Configurable
SysTick	15	Configurable
Interrupt (IRQ0 ~ IRQ31)	16 ~ 47	Configurable

Table 6-2 Exception Model

Vector Number	Interrupt Number (Bit In Interrupt Registers)	Interrupt Name	Source Module	Interrupt Description
1 ~ 15	-	-	-	System exceptions
16	0	BOD_INT	Brown-out	Brown-out low voltage detected interrupt
17	1	WDT_INT	WDT	Watchdog Timer interrupt
18	2	EINT0	GPIO	External signal interrupt from PB.14 pin
19	3	EINT1	GPIO	External signal interrupt from PB.15 pin
20	4	GPAB_INT	GPIO	External signal interrupt from PA[15:0]/PB[13:0]
21	5	GPCDEF_INT	GPIO	External interrupt from PC[15:0]/PD[15:0]/PE[15:0]/PF[3:0]
22	6	PWMA_INT	PWM0~3	PWM0, PWM1, PWM2 and PWM3 interrupt
23	7	PWMB_INT	PWM4~7	PWM4, PWM5, PWM6 and PWM7 interrupt
24	8	TMR0_INT	TMR0	Timer 0 interrupt
25	9	TMR1_INT	TMR1	Timer 1 interrupt
26	10	TMR2_INT	TMR2	Timer 2 interrupt
27	11	TMR3_INT	TMR3	Timer 3 interrupt
28	12	UART02_INT	UART0/2	UART0 and UART2 interrupt
29	13	UART1_INT	UART1	UART1 interrupt
30	14	SPI0_INT	SPI0	SPI0 interrupt

31	15	SPI1_INT	SPI1	SPI1 interrupt
32	16	SPI2_INT	SPI2	SPI2 interrupt
33	17	SPI3_INT	SPI3	SPI3 interrupt
34	18	I2C0_INT	I ² C0	I ² C0 interrupt
35	19	I2C1_INT	I ² C1	I ² C1 interrupt
36	20	-	-	Reserved
37	21	-	-	Reserved
38	22	SC012_INT	SC0/1/2	SC0, SC1 and SC2 interrupt
39	23	USB_INT	USBD	USB 2.0 FS Device interrupt
40	24	PS2_INT	PS/2	PS/2 interrupt
41	25	ACMP_INT	ACMP	Analog Comparator interrupt
42	26	PDMA_INT	PDMA	PDMA interrupt
43	27	I2S_INT	I ² S	I ² S interrupt
44	28	PWRWU_INT	CLKC	Clock controller interrupt for chip wake-up from Power-down state
45	29	ADC_INT	ADC	ADC interrupt
46	30	IRC_INT	IRC	IRC TRIM interrupt
47	31	RTC_INT	RTC	Real Time Clock interrupt

Table 6-3 System Interrupt Map



6.2.6.2 Vector Table

When an interrupt is accepted, the processor will automatically fetch the starting address of the interrupt service routine (ISR) from a vector table in memory. For ARMv6-M, the vector table base address is fixed at 0x00000000. The vector table contains the initialization value for the stack pointer on reset, and the entry point addresses for all exception handlers. The vector number on previous page defines the order of entries in the vector table associated with exception handler entry as illustrated in previous section.

Vector Table Word Offset	Description
0	SP_main – The Main stack pointer
Vector Number	Exception Entry Pointer using that Vector Number

Table 6-4 Vector Table Format

6.2.6.3 Operation Description

NVIC interrupts can be enabled and disabled by writing to their corresponding Interrupt Set-Enable or Interrupt Clear-Enable register bit-field. The registers use a write-1-to-enable and write-1-to-clear policy, both registers reading back the current enabled state of the corresponding interrupts. When an interrupt is disabled, interrupt assertion will cause the interrupt to become Pending, however, the interrupt will not activate. If an interrupt is Active when it is disabled, it remains in its Active state until cleared by reset or an exception return. Clearing the enable bit prevents new activations of the associated interrupt.

NVIC interrupts can be pended/un-pended using a complementary pair of registers to those used to enable/disable the interrupts, named the Set-Pending Register and Clear-Pending Register respectively. The registers use a write-1-to-enable and write-1-to-clear policy, both registers reading back the current pended state of the corresponding interrupts. The Clear-Pending Register has no effect on the execution status of an Active interrupt.

NVIC interrupts are prioritized by updating an 8-bit field within a 32-bit register (each register supporting four interrupts).

The general registers associated with the NVIC are all accessible from a block of memory in the System Control Space and will be described in next section.

6.2.7 System Control

The Cortex™-M0 status and operating mode control are managed by System Control Registers. Including CPUID, Cortex™-M0 interrupt priority and Cortex™-M0 power management can be controlled through these system control registers.

For more detailed information, please refer to the “ARM® Cortex™-M0 Technical Reference Manual” and “ARM® v6-M Architecture Reference Manual”.



6.3 Clock Controller

6.3.1 Overview

The clock controller generates the clocks for the whole chip, including system clocks and all peripheral clocks. The clock controller also implements the power control function with the individually clock ON/OFF control, clock source selection and clock divider. The chip enters Power-down mode when Cortex™-M0 core executes the WFI instruction only if the PWR_DOWN_EN (PWRCON[7]) bit and PD_WAIT_CPU (PWRCON[8]) bit are both set to 1. After that, chip enters Power-down mode and wait for wake-up interrupt source triggered to leave Power-down mode. In the Power-down mode, the clock controller turns off the 4~24 MHz external high speed crystal oscillator and 22.1184 MHz internal high speed RC oscillator to reduce the overall system power consumption. The following figures show the clock generator and the overview of the clock source control.

The clock generator consists of 5 clock sources as listed below:

- 32.768 kHz external low speed crystal oscillator (LXT)
- 4~24 MHz external high speed crystal oscillator (HXT)
- Programmable PLL output clock frequency (PLL source can be selected from external 4~24 MHz external high speed crystal oscillator (HXT) or 22.1184 MHz internal high speed RC oscillator (HIRC)) (PLL FOUT)
- 22.1184 MHz internal high speed RC oscillator (HIRC)
- 10 kHz internal low speed RC oscillator (LIRC)

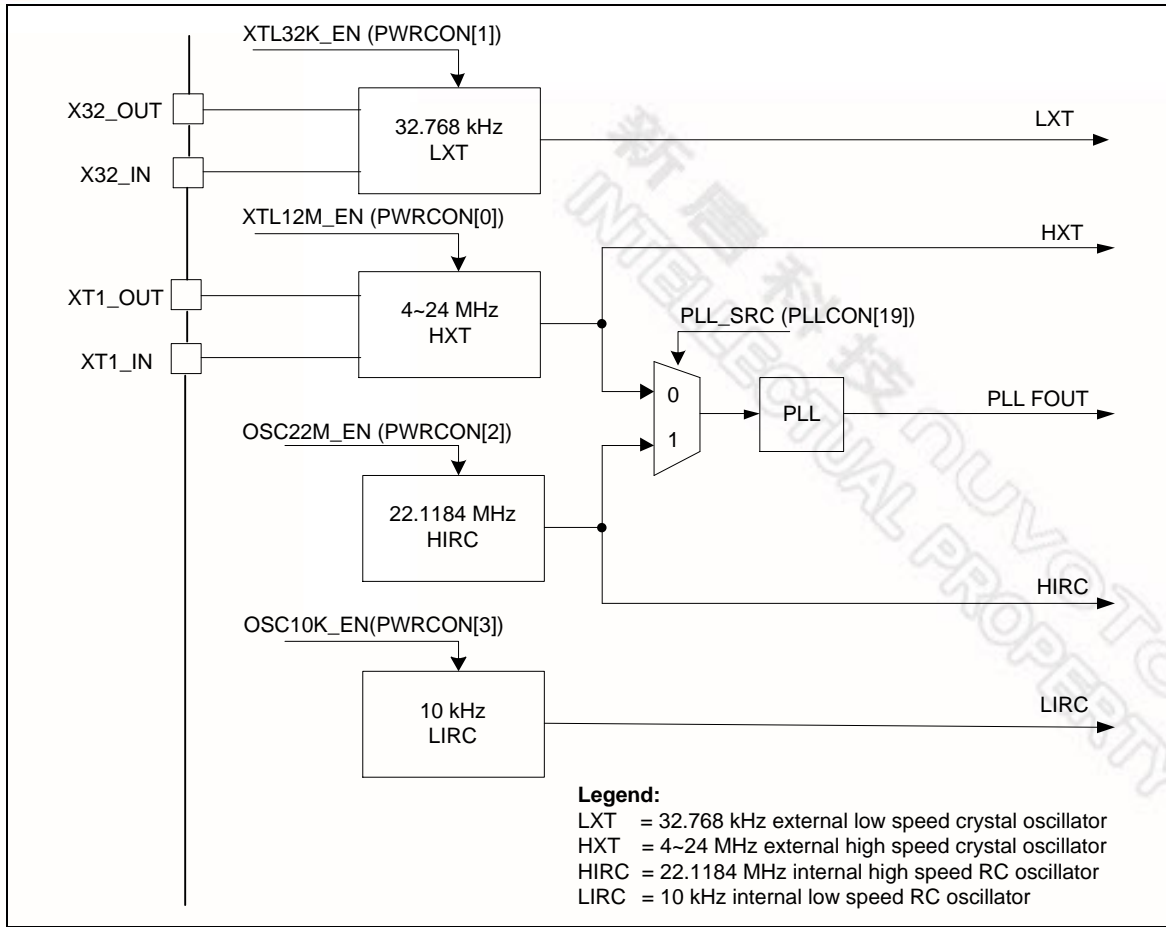


Figure 6-4 Clock Generator Block Diagram

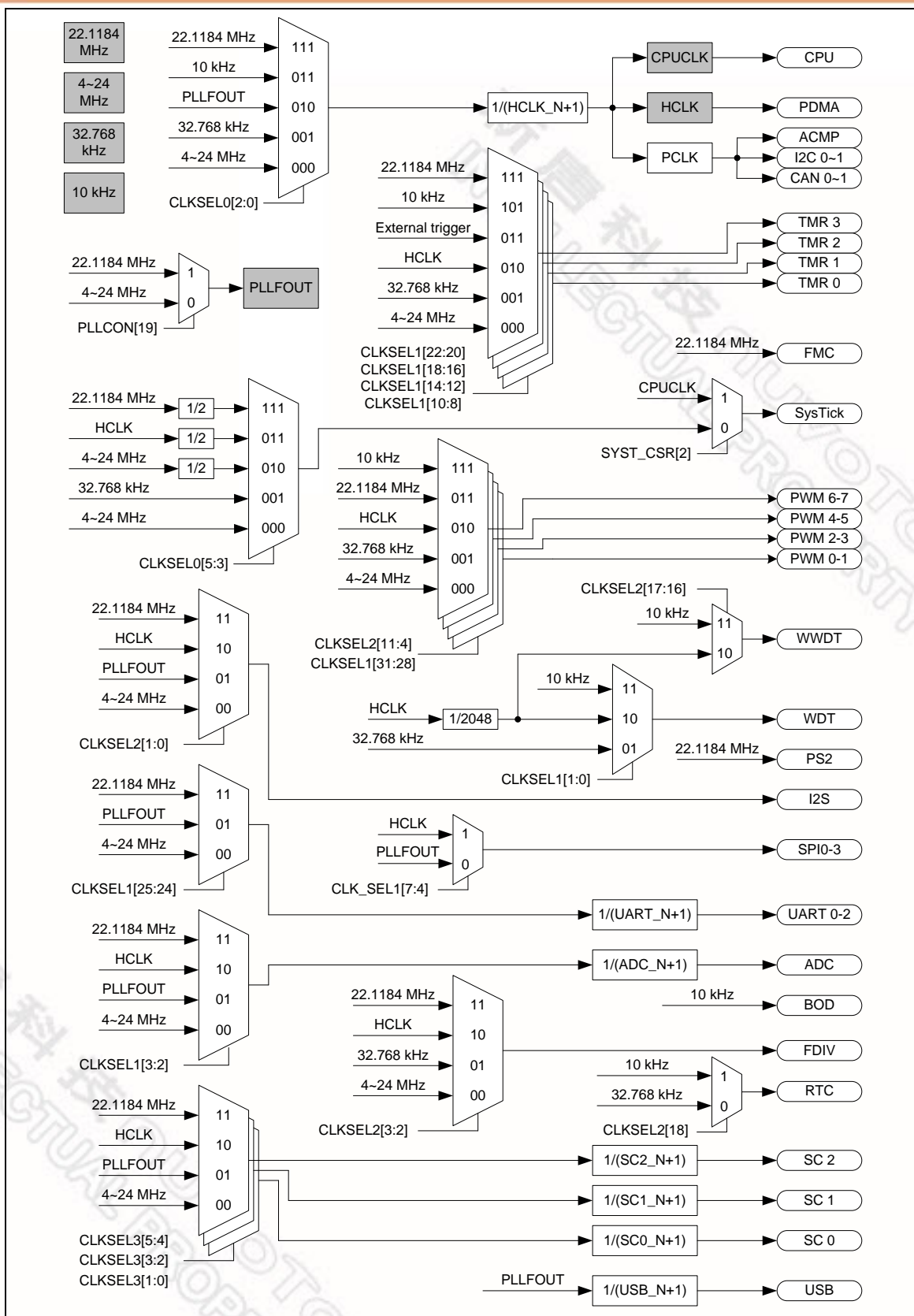


Figure 6-5 Clock Generator Global View Diagram



6.3.2 System Clock and SysTick Clock

The system clock has 5 clock sources which were generated from clock generator block. The clock source switch depends on the register HCLK_S (CLKSEL0[2:0]). The block diagram is shown in Figure 6-6.

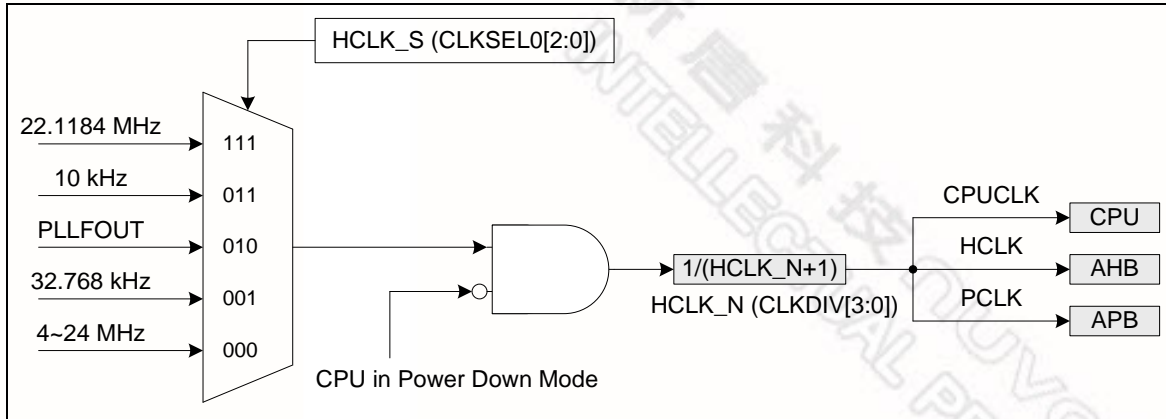


Figure 6-6 System Clock Block Diagram

The clock source of SysTick in Cortex™-M0 core can use CPU clock or external clock (SYST_CSR[2]). If using external clock, the SysTick clock (STCLK) has 5 clock sources. The clock source switch depends on the setting of the register STCLK_S (CLKSEL0[5:3]). The block diagram is shown in Figure 6-7.

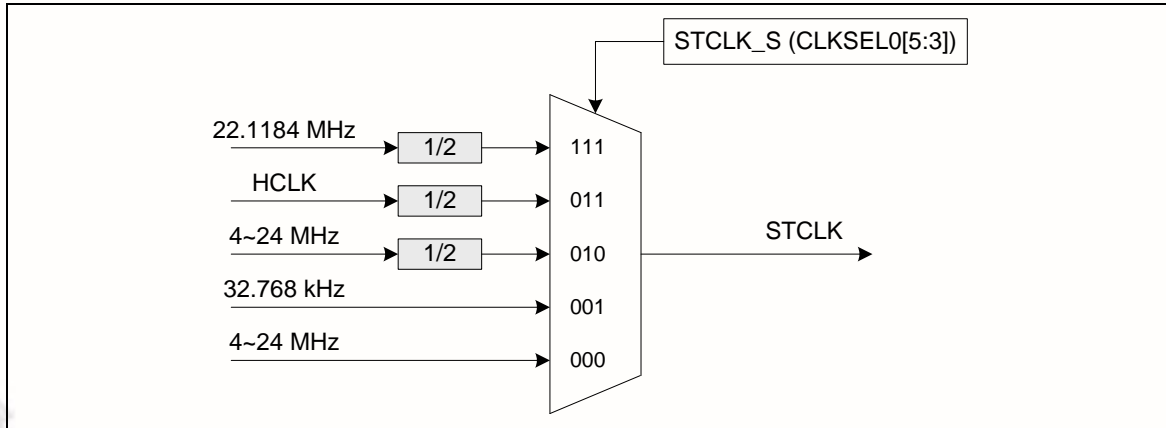


Figure 6-7 SysTick Clock Control Block Diagram



6.3.3 Power-down Mode Clock

When chip enters Power-down mode, system clocks, some clock sources, and some peripheral clocks will be disabled. Some clock sources and peripherals clocks are still active in Power-down mode.

The clocks still kept active are listed below:

- Clock Generator
 - 10 kHz internal low speed RC oscillator clock
 - 32.768 kHz external low speed crystal oscillator clock
- RTC/WDT/Timer/PWM Peripherals Clock (when 32.768 kHz external low speed crystal oscillator or 10 kHz internal low speed RC oscillator is adopted as clock source)

6.3.4 Frequency Divider Output

This device is equipped with a power-of-2 frequency divider which is composed by 16 chained divide-by-2 shift registers. One of the 16 shift register outputs selected by a sixteen to one multiplexer is reflected to CLKO function pin. Therefore there are 16 options of power-of-2 divided clocks with the frequency from $F_{in}/2^1$ to $F_{in}/2^{16}$ where F_{in} is input clock frequency to the clock divider.

The output formula is $F_{out} = F_{in}/2^{(N+1)}$, where F_{in} is the input clock frequency, F_{out} is the clock divider output frequency and N is the 4-bit value in FSEL (FRQDIV[3:0]).

When writing 1 to DIVIDER_EN (FRQDIV[4]), the chained counter starts to count. When writing 0 to DIVIDER_EN (FRQDIV[4]), the chained counter continuously runs till divided clock reaches low state and stay in low state.

If DIVIDER1 (FRQDIV[5]) is set to 1, the frequency divider clock (FRQDIV_CLK) will bypass power-of-2 frequency divider. The frequency divider clock will be output to CLKO pin directly.

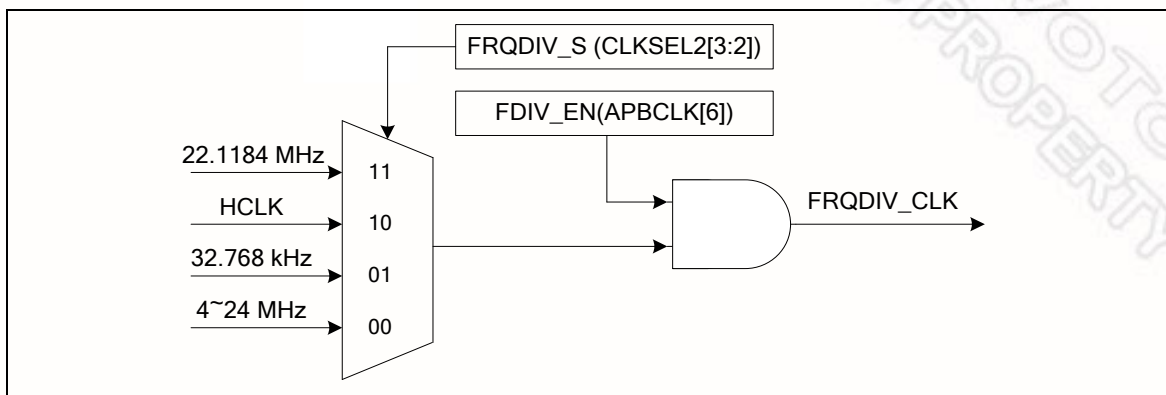


Figure 6-8 Clock Source of Frequency Divider

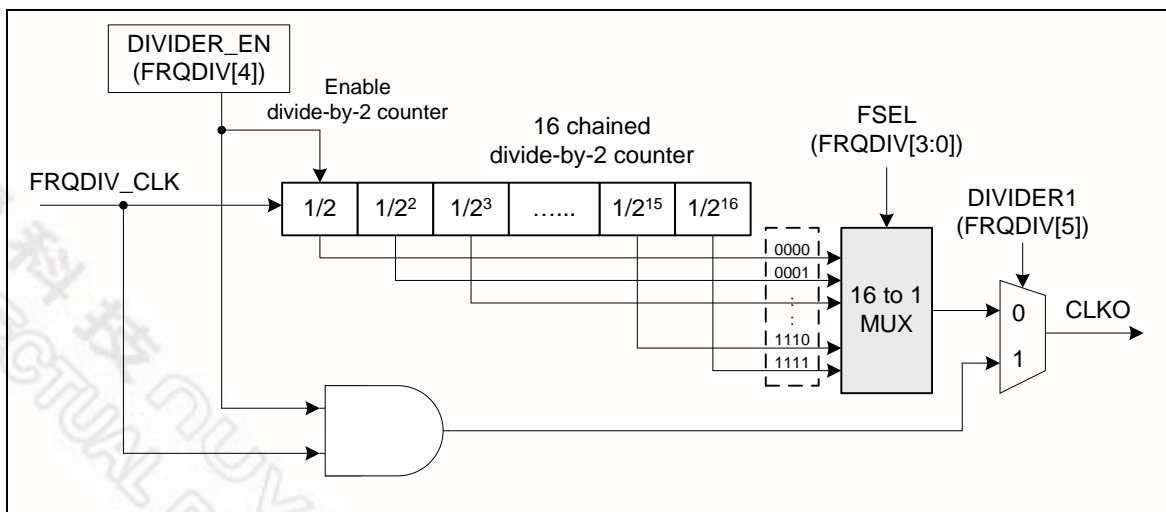


Figure 6-9 Frequency Divider Block Diagram



6.4 Flash Memory Controller (FMC)

6.4.1 Overview

The NuMicro™ NUC230/240 series has 128/64/32K bytes on-chip embedded Flash for application program memory (APROM) that can be updated through ISP procedure. The In-System-Programming (ISP) function enables user to update program memory when chip is soldered on PCB. After chip is powered on, Cortex™-M0 CPU fetches code from APROM or LDROM decided by boot select (CBS) in CONFIG0. By the way, the NuMicro™ NUC230/240 series also provides additional Data Flash for user to store some application dependent data. For 128K bytes APROM device, the Data Flash is shared with original 128K program memory and its start address is configurable in CONFIG1. For 64K/32K bytes APROM device, the Data Flash is fixed at 4KB.

6.4.2 Features

- Runs up to 50 MHz with zero wait cycle for continuous address read access and runs up to 72MHz with one wait cycle for continuous address read.
- All embedded flash memory supports 512 bytes page erase
- 128/64/32 KB application program memory (APROM)
- 8KB In-System-Programming (ISP) loader program memory (LDROM)
- 4KB Data Flash for 64/32 KB APROM device
- Configurable Data Flash size for 128KB APROM device
- Configurable or fixed 4 KB Data Flash with 512 bytes page erase unit
- Supports In-Application-Programming (IAP) to switch code between APROM and LDROM without reset
- In-System-Programming (ISP) to update on-chip Flash



6.5 External Bus Interface (EBI)

6.5.1 Overview

The NuMicro™ NUC100 series LQFP-64 and LQFP-100 package equips an external bus interface (EBI) for access external device.

To save the connections between external device and this chip, EBI supports address bus and data bus multiplex mode. And, address latch enable (ALE) signal is used to differentiate the address and data cycle.

6.5.2 Features

External Bus Interface has the following functions:

- Supports external devices with max. 64 KB size (8-bit data width)/128 KB (16-bit data width)
- Supports variable external bus base clock (MCLK) which based on HCLK
- Supports 8-bit or 16-bit data width
- Supports variable data access time (tACC), address latch enable time (tALE) and address hold time (tAHD)
- Supports address bus and data bus multiplex mode to save the address pins
- Supports configurable idle cycle for different access condition: Write command finish (W2X), Read-to-Read (R2R)



6.6 General Purpose I/O (GPIO)

6.6.1 Overview

The NuMicro™ NUC230/240 series has up to 84 General Purpose I/O pins to be shared with other function pins depending on the chip configuration. These 84 pins are arranged in 6 ports named as GPIOA, GPIOB, GPIOC, GPIOD, GPIOE and GPIOF. The GPIOA/B/C/D/E port has the maximum of 16 pins and GPIOF port has the maximum of 4 pins. Each of the 84 pins is independent and has the corresponding register bits to control the pin mode function and data.

The I/O type of each of I/O pins can be configured by software individually as input, output, open-drain or Quasi-bidirectional mode. After reset, the I/O mode of all pins are depending on Config0[10] setting. In Quasi-bidirectional mode, I/O pin has a very weak individual pull-up resistor which is about 110~300 K Ω for V_{DD} is from 5.0 V to 2.5 V.

6.6.2 Features

- Four I/O modes:
 - Quasi-bidirectional
 - Push-Pull output
 - Open-Drain output
 - Input only with high impedance
- TTL/Schmitt trigger input selectable by GPx_TYPE[15:0] in GPx_MFP[31:16]
- I/O pin configured as interrupt source with edge/level setting
- Configurable default I/O mode of all pins after reset by Config0[10] setting
 - If Config[10] is 0, all GPIO pins in input tri-state mode after chip reset
 - If Config[10] is 1, all GPIO pins in Quasi-bidirectional mode after chip reset
- I/O pin internal pull-up resistor enabled only in Quasi-bidirectional I/O mode
- Enabling the pin interrupt function will also enable the pin wake-up function.

6.7 PDMA Controller (PDMA)

6.7.1 Overview

The NuMicro™ NUC230/240 series DMA contains nine-channel peripheral direct memory access (PDMA) controller and a cyclic redundancy check (CRC) generator.

The PDMA that transfers data to and from memory or transfer data to and from APB devices. For PDMA channel (PDMA CH0~CH8), there is one-word buffer as transfer buffer between the Peripherals APB devices and Memory. Software can stop the PDMA operation by disable PDMA PDMACEN (PDMA_CSRx[0]). The CPU can recognize the completion of a PDMA operation by software polling or when it receives an internal PDMA interrupt. The PDMA controller can increase source or destination address or fixed them as well.

The DMA controller contains a cyclic redundancy check (CRC) generator that can perform CRC calculation with programmable polynomial settings. The CRC engine supports CPU PIO mode and DMA transfer mode.

6.7.2 Features

- Supports nine PDMA channels and one CRC channel. Each PDMA channel can support a unidirectional transfer
- AMBA AHB master/slave interface compatible, for data transfer and register read/write
- Hardware round robin priority scheme. DMA channel 0 has the highest priority and channel 8 has the lowest priority
- PDMA operation
 - Peripheral-to-memory, memory-to-peripheral, and memory-to-memory transfer
 - Supports word/half-word/byte transfer data width from/to peripheral
 - Supports address direction: increment, fixed.
- Cyclic Redundancy Check (CRC)
 - Supports four common polynomials CRC-CCITT, CRC-8, CRC-16, and CRC-32
 - CRC-CCITT: $X^{16} + X^{12} + X^5 + 1$
 - CRC-8: $X^8 + X^2 + X + 1$
 - CRC-16: $X^{16} + X^{15} + X^2 + 1$
 - CRC-32: $X^{32} + X^{26} + X^{23} + X^{22} + X^{16} + X^{12} + X^{11} + X^{10} + X^8 + X^7 + X^5 + X^4 + X^2 + X + 1$
 - Supports programmable CRC seed value.
 - Supports programmable order reverse setting for input data and CRC checksum.
 - Supports programmable 1's complement setting for input data and CRC checksum.
 - Supports CPU PIO mode or DMA transfer mode.
 - Supports the follows write data length in CPU PIO mode
 - 8-bit write mode (byte): 1-AHB clock cycle operation.
 - 16-bit write mode (half-word): 2-AHB clock cycle operation.
 - 32-bit write mode (word): 4-AHB clock cycle operation.
 - Supports byte alignment transfer data length and word alignment transfer source address in CRC DMA mode.

6.8 Timer Controller (TIMER)

6.8.1 Overview

The timer controller includes four 32-bit timers, TIMER0 ~ TIMER3, allowing user to easily implement a timer control for applications. The timer can perform functions, such as frequency measurement, delay timing, clock generation, and event counting by external input pins, and interval measurement by external capture pins.



6.8.2 Features

- Four sets of 32-bit timers with 24-bit up counter and one 8-bit prescale counter
- Independent clock source for each timer
- Provides four timer counting modes: one-shot, periodic, toggle and continuous counting
- Time-out period = (Period of timer clock input) * (8-bit prescale counter + 1) * (24-bit TCMP)
- Maximum counting cycle time = $(1 / T \text{ MHz}) * (2^8) * (2^{24})$, T is the period of timer clock
- 24-bit up counter value is readable through TDR (Timer Data Register)
- Supports event counting function to count the event from external counter pin (TM0~TM3)
- Supports external pin capture (TM0_EXT~TM3_EXT) for interval measurement
- Supports external pin capture (TM0_EXT~TM3_EXT) for reset 24-bit up counter
- Supports chip wake-up from Idle/Power-down mode if a timer interrupt signal is generated



6.9 PWM Generator and Capture Timer (PWM)

6.9.1 Overview

The NuMicro™ NUC230/240 series has 2 sets of PWM group supporting a total of 4 sets of PWM generators that can be configured as 8 independent PWM outputs, PWM0~PWM7, or as 4 complementary PWM pairs, (PWM0, PWM1), (PWM2, PWM3), (PWM4, PWM5) and (PWM6, PWM7) with 4 programmable Dead-zone generators.

Each PWM generator has one 8-bit prescaler, one clock divider with 5 divided frequencies (1, 1/2, 1/4, 1/8, 1/16), two PWM Timers including two clock selectors, two 16-bit PWM counters for PWM period control, two 16-bit comparators for PWM duty control and one Dead-zone generator. The 4 sets of PWM generators provide eight independent PWM interrupt flags set by hardware when the corresponding PWM period down counter reaches 0. Each PWM interrupt source with its corresponding enable bit can cause CPU to request PWM interrupt. The PWM generators can be configured as one-shot mode to produce only one PWM cycle signal or auto-reload mode to output PWM waveform continuously.

When DZEN01 (PCR[4]) is set, PWM0 and PWM1 perform complementary PWM paired function; the paired PWM period, duty and Dead-time are determined by PWM0 timer and Dead-zone generator 0. Similarly, the complementary PWM pairs of (PWM2, PWM3), (PWM4, PWM5) and (PWM6, PWM7) are controlled by PWM2, PWM4 and PWM6 timers and Dead-zone generator 2, 4 and 6, respectively. Refer to [錯誤! 找不到參照來源。](#) and [錯誤! 找不到參照來源。](#) for the architecture of PWM Timers.

To prevent PWM driving output pin with unsteady waveform, the 16-bit period down counter and 16-bit comparator are implemented with double buffer. When user writes data to counter/comparator buffer registers the updated value will be load into the 16-bit down counter/comparator at the time down counter reaching 0. The double buffering feature avoids glitch at PWM outputs.

When the 16-bit period down counter reaches 0, the interrupt request is generated. If PWM-timer is set as auto-reload mode, when the down counter reaches 0, it is reloaded with PWM Counter Register (CNRx) automatically then start decreasing, repeatedly. If the PWM-timer is set as one-shot mode, the down counter will stop and generate one interrupt request when it reaches 0.

The value of PWM counter comparator is used for pulse high width modulation. The counter control logic changes the output to high level when down-counter value matches the value of compare register.

The alternate feature of the PWM-timer is digital input Capture function. If Capture function is enabled the PWM output pin is switched as capture input mode. The Capture0 and PWM0 share one timer which is included in PWM0 and the Capture1 and PWM1 share PWM1 timer, and etc. Therefore user must setup the PWM-timer before enable Capture feature. After capture feature is enabled, the capture always latched PWM-counter to Capture Rising Latch Register (CRLR) when input channel has a rising transition and latched PWM-counter to Capture Falling Latch Register (CFLR) when input channel has a falling transition. Capture channel 0 interrupt is programmable by setting CRL_IE0 (CCR0[1]) (Rising latch Interrupt enable) and CFL_IE0 (CCR0[2]) (Falling latch Interrupt enable) to decide the condition of interrupt occur. Capture channel 1 has the same feature by setting CRL_IE1 (CCR0[17]) and CFL_IE1 (CCR0[18]). And capture channel 2 to channel 3 on each group have the same feature by setting the corresponding control bits in CCR2. For each group, whenever Capture issues Interrupt 0/1/2/3, the PWM counter 0/1/2/3 will be reload at this moment.

The maximum captured frequency that PWM can capture is confined by the capture interrupt latency. When capture interrupt occurred, software will do at least three steps, including: Read PIIR to get interrupt source and Read CRLRx/CFLRx(x=0~3) to get capture value and finally write 1 to clear PIIR to 0. If interrupt latency will take time T0 to finish, the capture signal mustn't transition during this interval (T0). In this case, the maximum capture frequency will be 1/T0. For



example:

HCLK = 50 MHz, PWM_CLK = 25 MHz, Interrupt latency is 900 ns

So the maximum capture frequency will be $1/900\text{ns} \approx 1000 \text{ kHz}$

6.9.2 Features

6.9.2.1 PWM Function:

- Up to 2 PWM groups (PWMA/PWMB) to support 8 PWM channels or 4 complementary PWM paired channels
- Each PWM group has two PWM generators with each PWM generator supporting one 8-bit prescaler, two clock divider, two PWM-timers, one Dead-zone generator and two PWM outputs.
- Up to 16-bit resolution
- PWM Interrupt request synchronized with PWM period
- One-shot or Auto-reload mode
- Edge-aligned type or Center-aligned type option
- PWM trigger ADC start-to-conversion

6.9.2.2 Capture Function:

- Timing control logic shared with PWM Generators
- Supports 8 Capture input channels shared with 8 PWM output channels
- Each channel supports one rising latch register (CRLR), one falling latch register (CFLR) and Capture interrupt flag (CAPIFx)



6.10 Watchdog Timer (WDT)

6.10.1 Overview

The purpose of Watchdog Timer is to perform a system reset when system runs into an unknown state. This prevents system from hanging for an infinite period of time. Besides, this Watchdog Timer supports the function to wake-up system from Idle/Power-down mode.

6.10.2 Features

- 18-bit free running up counter for Watchdog Timer time-out interval.
- Selectable time-out interval ($2^4 \sim 2^{18}$) WDT_CLK cycle and the time-out interval period is 104 ms ~ 26.3168 s if WDT_CLK = 10 kHz.
- System kept in reset state for a period of $(1 / \text{WDT_CLK}) * 63$
- Supports Watchdog Timer reset delay period
 - Selectable it includes (1026、130、18 or 3) * WDT_CLK reset delay period.
- Supports to force Watchdog Timer enabled after chip powered on or reset while CWDTEN (CONFIG0[31] Watchdog Enable) bit is set to 0.
- Supports Watchdog Timer time-out wake-up function only if WDT clock source is selected as 10 kHz



6.11 Window Watchdog Timer (WWDT)

6.11.1 Overview

The Window Watchdog Timer is used to perform a system reset within a specified window period to prevent software run to uncontrollable status by any unpredictable condition.

6.11.2 Features

- 6-bit down counter value (WWDTVAL[5:0]) and 6-bit compare window value (WWDTCR[21:16]) to make the WWDT time-out window period flexible
- Supports 4-bit value to programmable maximum 11-bit prescale counter period of WWDT counter

6.12 Real Time Clock (RTC)

6.12.1 Overview

The Real Time Clock (RTC) controller provides the real time and calendar message. The RTC offers programmable time tick and alarm match interrupts. The data format of time and calendar messages are expressed in BCD format. A digital frequency compensation feature is available to compensate external crystal oscillator frequency accuracy.

The RTC controller also offers 80 bytes spare registers to store user's important information.

6.12.2 Features

- Supports real time counter in Time Loading Register (TLR) (hour, minute, second) and calendar counter in Calendar Loading Register (CLR) (year, month, day) for RTC time and calendar check
- Supports alarm time (hour, minute, second) and calendar (year, month, day) settings in Time Alarm Register (TAR) and Calendar Alarm Register (CAR) register
- Selectable 12-hour or 24-hour time scale in Time Scale Selection Register (TSSR) register
- Supports Leap Year indication in Leap Year Indicator Register (LIR) register
- Supports Day of the Week counter in Day of the Week Register (DWR) register
- Frequency of RTC clock source compensate by RTC Frequency Compensation Register (FCR) register
- All time and calendar message expressed in BCD format
- Supports periodic RTC Time Tick interrupt with 8 period interval options 1/128, 1/64, 1/32, 1/16, 1/8, 1/4, 1/2 and 1 second
- Supports RTC Time Tick and Alarm Match interrupt
- Supports chip wake-up from Idle or Power-down mode while a RTC interrupt signal is generated
- Supports 80 bytes spare registers



6.13 UART Interface Controller (UART)

6.13.1 Overview

The NuMicro NUC230/240 series provides up to three channels of Universal Asynchronous Receiver/Transmitters (UART). UART0 supports High Speed UART and UART1~2 perform Normal Speed UART. Besides, only UART0 and UART1 support the flow control function. The UART Controller performs a serial-to-parallel conversion on data received from the peripheral, and a parallel-to-serial conversion on data transmitted from the CPU. The UART controller also supports IrDA SIR Function, LIN master/slave function and RS-485 function mode. Each UART Controller channel supports seven types of interrupts.

6.13.2 Features

- Full duplex, asynchronous communications
- Separates receive / transmit 64/16/16 bytes (UART0/UART1/UART2) entry FIFO for data payloads
- Supports hardware auto flow control/flow control function (CTS, RTS) and programmable RTS flow control trigger level (UART0 and UART1 support)
- Programmable receiver buffer trigger level
- Supports programmable baud-rate generator for each channel individually
- Supports CTS wake-up function (UART0 and UART1 support)
- Supports 7-bit receiver buffer time-out detection function
- UART0/UART1 can through DMA channels to receive/transmit data
- Programmable transmitting data delay time between the last stop and the next start bit by setting UA_TOR [DLY] register
- Supports break error, frame error, parity error and receive / transmit buffer overflow detect function
- Fully programmable serial-interface characteristics
 - Programmable data bit length, 5-, 6-, 7-, 8-bit character
 - Programmable parity bit, even, odd, no parity or stick parity bit generation and detection
 - Programmable stop bit length, 1, 1.5, or 2 stop bit generation
- IrDA SIR function mode
 - Supports 3-/16-bit duration for normal mode
- LIN function mode
 - Supports LIN master/slave mode
 - Supports programmable break generation function for transmitter
 - Supports break detect function for receiver
- RS-485 function mode.
 - Supports RS-485 9-bit mode
 - Supports hardware or software direct enable control provided by RTS pin (UART0 and UART1 support)



6.14 Smart Card Host Interface (SC)

6.14.1 Overview

The Smart Card Interface controller (SC controller) is based on ISO/IEC 7816-3 standard and fully compliant with PC/SC Specifications. It also provides status of card insertion/removal. It also support UART mode for full duplex asynchronous communications.

6.14.2 Features

- Supports up to three ISO7816-3 ports (SC0, SC1 and SC2)
 - ISO7816-3 T=0, T=1 compliant
 - EMV2000 compliant
 - Separates receive/ transmit 4 byte entry FIFO for data payloads.
 - Programmable transmission clock frequency.
 - Programmable receiver buffer trigger level.
 - Programmable guard time selection (11 ETU ~ 267 ETU).
 - A 24-bit and two 8-bit times for Answer to Request (ATR) and waiting times processing.
 - Supports auto inverse convention function.
 - Supports transmitter and receiver error retry and error number limiting function.
 - Supports hardware activation sequence, hardware warm reset sequence and hardware deactivation sequence process.
 - Supports hardware auto deactivation sequence when detecting the card removal.
- Supports up to three UART ports (UART3, UART4, UART5)
 - Full duplex, asynchronous communications.
 - Programmable data bit length, 5-, 6-, 7-, 8-bit character.
 - Separates receiving / transmitting 4 bytes entry FIFO for data payloads.
 - Supports programmable baud rate generator for each channel.
 - Supports programmable receiver buffer trigger level.
 - Programmable transmitting data delay time between the last stop bit leaving the TX-FIFO and the de-assertion by setting SCx_EGTR [EGT] register.
 - Programmable even, odd or no parity bit generation and detection.
 - Programmable stop bit, 1 or 2 stop bit generation.



6.15 PS/2 Device Controller (PS2D)

6.15.1 Overview

PS/2 device controller provides a basic timing control for PS/2 communication. All communication between the device and the host is managed through the PS2_CLK and PS2_DATA pins. Unlike PS/2 keyboard or mouse device controller, the receive/transmit code needs to be translated as meaningful code by firmware. The device controller generates the PS2_CLK signal after receiving a "Request to Send" state, but host has ultimate control over communication. Data of PS2_DATA line sent from the host to the device is read on the rising edge and sent from the device to the host is change after rising edge. A 16 bytes FIFO is used to reduce CPU intervention. Software can select 1 to 16 bytes for a continuous transmission.

6.15.2 Features

- Host communication inhibit and "Request-to-Send" state detection
- Reception frame error detection
- Programmable 1 to 16 bytes transmit buffer to reduce CPU intervention
- Double buffer for data reception
- Software override bus



6.16 I²C Serial Interface Controller (I²C)

6.16.1 Overview

I²C is a two-wire, bi-directional serial bus that provides a simple and efficient method of data exchange between devices. The I²C standard is a true multi-master bus including collision detection and arbitration that prevents data corruption if two or more masters attempt to control the bus simultaneously.

6.16.2 Features

The I²C bus uses two wires (I2Cn_SDA and I2Cn_SCL) to transfer information between devices connected to the bus. The main features of the I²C bus include:

- Supports up to two I²C serial interface controller
- Master/Slave mode
- Bidirectional data transfer between masters and slaves
- Multi-master bus (no central master)
- Arbitration between simultaneously transmitting masters without corruption of serial data on the bus
- Serial clock synchronization allow devices with different bit rates to communicate via one serial bus
- Built-in a 14-bit time-out counter requesting the I²C interrupt if the I²C bus hangs up and timer-out counter overflows.
- Programmable clocks allow for versatile rate control
- Supports 7-bit addressing mode
- Supports multiple address recognition (four slave address with mask option)
- Supports Power-down wake-up function

6.17 Serial Peripheral Interface (SPI)

6.17.1 Overview

The Serial Peripheral Interface (SPI) is a synchronous serial data communication protocol that operates in full duplex mode. Devices communicate in Master/Slave mode with the 4-wire bi-direction interface. The NuMicro™ NUC230/240 series contains up to four sets of SPI controllers performing a serial-to-parallel conversion on data received from a peripheral device, and a parallel-to-serial conversion on data transmitted to a peripheral device. Each set of SPI controller can be configured as a master or a slave device.

The SPI controller supports the variable bus clock function for special applications and 2-bit Transfer mode to connect 2 off-chip slave devices at the same time. This controller also supports the PDMA function to access the data buffer and also supports Dual I/O Transfer mode.

6.17.2 Features

- Up to four sets of SPI controllers
- Supports Master or Slave mode operation
- Supports 2-bit Transfer mode
- Supports Dual I/O Transfer mode
- Configurable bit length of a transaction word from 8 to 32 bits
- Provides separate 8-layer depth transmit and receive FIFO buffers
- Supports MSB first or LSB first transfer sequence
- Two slave select lines in Master mode
- Supports the Byte Reorder function
- Supports Byte or Word Suspend mode
- Variable output bus clock frequency in Master mode
- Supports PDMA transfer
- Supports 3-wire, no slave select signal, bi-direction interface

6.18 I²S Controller (I²S)

6.18.1 Overview

The I²S controller consists of I²S protocol to interface with external audio CODEC. Two 8-word depth FIFO for reading path and writing path respectively and is capable of handling 8-, 16-, 24- and 32-bit word sizes. PDMA controller handles the data movement between FIFO and memory.

6.18.2 Features

- Supports Master mode and Slave mode
- Capable of handling 8-, 16-, 24- and 32-bit word sizes
- Supports monaural and stereo audio data
- Supports I²S and MSB justified data format
- Provides two 8-word FIFO data buffers, one for transmitting and the other for receiving
- Supports PDMA transfer



6.19 USB Device Controller (USBD)

6.19.1 Overview

There is one set of USB 2.0 full-speed device controller and transceiver in this device. It is compliant with USB 2.0 full-speed device specification and supports control/bulk/interrupt/isochronous transfer types.

In this device controller, there are two main interfaces: the APB bus and USB bus which comes from the USB PHY transceiver. For the APB bus, the CPU can program control registers through it. There are 512 bytes internal SRAM as data buffer in this controller. For IN or OUT transfer, it is necessary to write data to SRAM or read data from SRAM through the APB interface or SIE. User needs to set the effective starting address of SRAM for each endpoint buffer through “buffer segmentation register (USB_BUFSEGx)”.

There are 8 endpoints in this controller. Each of the endpoint can be configured as IN or OUT endpoint. All the operations including Control, Bulk, Interrupt and Isochronous transfer are implemented in this block. The block of “Endpoint Control” is also used to manage the data sequential synchronization, endpoint states, current start address, transaction status, and data buffer status for each endpoint.

There are four different interrupt events in this controller. They are the wake-up function, device plug-in or plug-out event, USB events, and BUS events. Any event will cause an interrupt, and users just need to check the related event flags in interrupt event status register (USB_INTSTS) to acknowledge what kind of interrupt occurring, and then check the related USB Endpoint Status Register (USB_EPSTS) to acknowledge what kind of event occurring in this endpoint.

A software-disconnect function is also supported for this USB controller. It is used to simulate the disconnection of this device from the host. If DRVSE0 (USB_DRVSE0[0]) is set to 1, the USB controller will force the output of USB_D+ and USB_D- to level low. After DRVSE0 bit is cleared to 0, host will enumerate the USB device again.

Please refer to *Universal Serial Bus Specification Revision 1.1* for details.

6.19.2 Features

- Compliant with USB 2.0 Full-Speed specification
- Provides 1 interrupt vector with 4 different interrupt events (WAKEUP, FLDET, USB and BUS)
- Supports Control/Bulk/Interrupt/Isochronous transfer type
- Supports suspend function when no bus activity existing for 3 ms
- Provides 8 endpoints for configurable Control/Bulk/Interrupt/Isochronous transfer types and maximum 512 bytes buffer size
- Provides remote wake-up capability

6.20 Controller Area Network (CAN)

6.20.1 Overview

The C_CAN consists of the CAN Core, Message RAM, Message Handler, Control Registers and Module Interface (Refer [錯誤! 找不到參照來源。](#)). The CAN Core performs communication according to the CAN protocol version 2.0 part A and B. The bit rate can be programmed to values up to 1MBit/s. For the connection to the physical layer, additional transceiver hardware is required.

For communication on a CAN network, individual Message Objects are configured. The Message Objects and Identifier Masks for acceptance filtering of received messages are stored in the Message RAM. All functions concerning the handling of messages are implemented in the Message Handler. These functions include acceptance filtering, the transfer of messages between the CAN Core and the Message RAM, and the handling of transmission requests as well as the generation of the module interrupt.

The register set of the C_CAN can be accessed directly by the software through the module interface. These registers are used to control/configure the CAN Core and the Message Handler and to access the Message RAM.

6.20.2 Features

- Supports CAN protocol version 2.0 part A and B.
- Bit rates up to 1 MBit/s.
- 32 Message Objects.
- Each Message Object has its own identifier mask.
- Programmable FIFO mode (concatenation of Message Objects).
- Maskable interrupt.
- Disabled Automatic Re-transmission mode for Time Triggered CAN applications.
- Programmable loop-back mode for self-test operation.
- 16-bit module interfaces to the AMBA APB bus.
- Supports wake-up function

6.21 Analog-to-Digital Converter (ADC)

6.21.1 Overview

The NuMicro™ NUC230/240 series contains one 12-bit successive approximation analog-to-digital converters (SAR A/D converter) with 8 input channels. The A/D converter supports three operation modes: single, single-cycle scan and continuous scan mode. The A/D converter can be started by software, PWM Center-aligned trigger and external STADC pin.

6.21.2 Features

- Analog input voltage range: 0~VREF
- 12-bit resolution and 10-bit accuracy is guaranteed
- Up to 8 single-end analog input channels or 4 differential analog input channels

- Up to 1 MSPS conversion rate (chip working at 5V)
- Three operating modes
 - Single mode: A/D conversion is performed one time on a specified channel
 - Single-cycle scan mode: A/D conversion is performed one cycle on all specified channels with the sequence from the smallest numbered channel to the largest numbered channel
 - Continuous scan mode: A/D converter continuously performs Single-cycle scan mode until software stops A/D conversion
- An A/D conversion can be started by:
 - Writing 1 to ADST bit (ADCR[11]) through software
 - PWM Center-aligned trigger
 - External pin STADC
- Conversion results are held in data registers for each channel with valid and overrun indicators
- Supports two set digital comparators. The conversion result can be compared with specify value and user can select whether to generate an interrupt when conversion result matches the compare register setting
- Channel 7 supports 3 input sources: external analog voltage, internal Band-gap voltage, and internal temperature sensor output

6.22 Analog Comparator (ACMP)

6.22.1 Overview

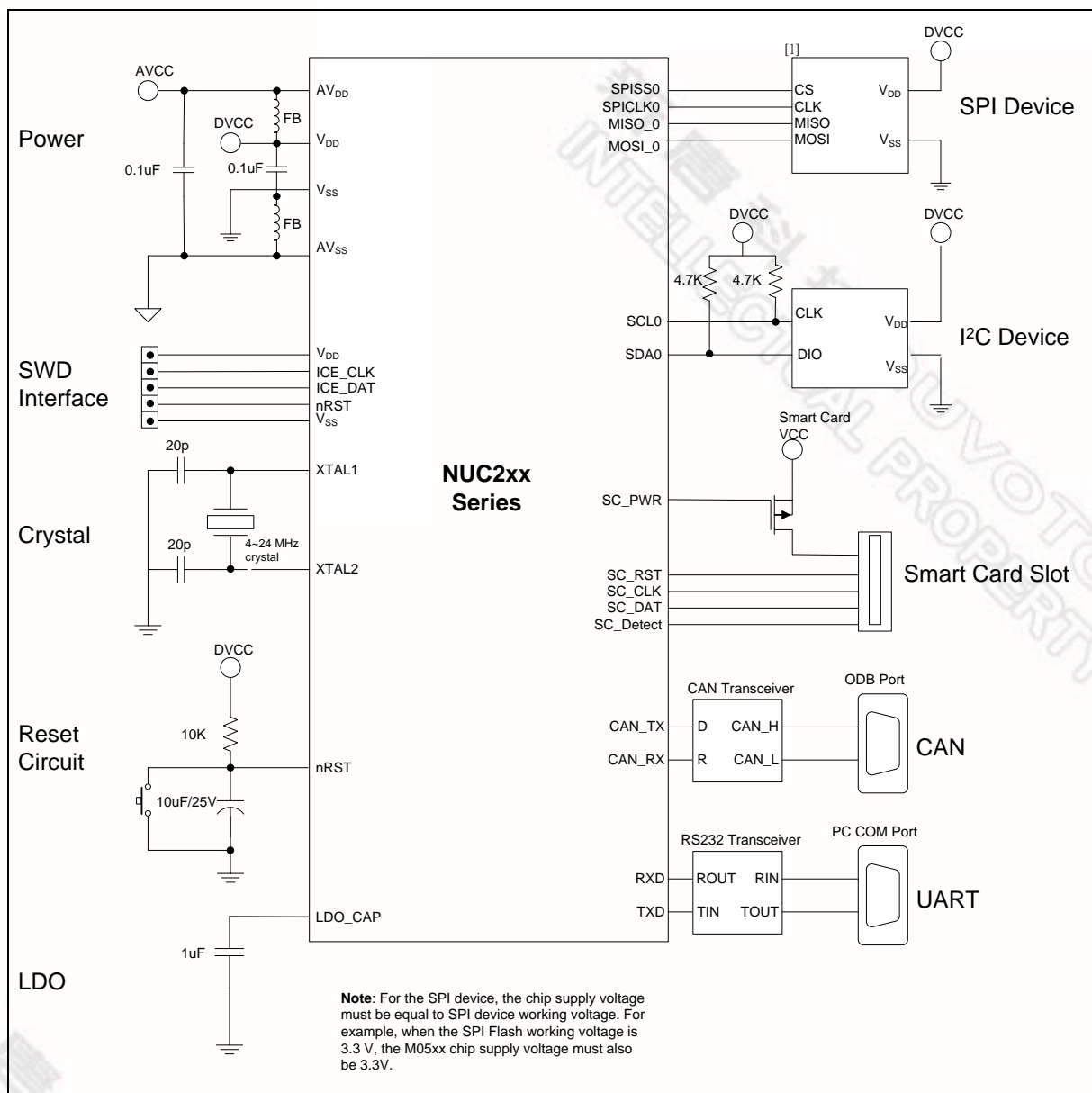
The NuMicro™ NUC230/240 series contains two comparators which can be used in a number of different configurations. The comparator output is logic 1 when positive input voltage is greater than negative input voltage; otherwise the output is logic 0. Each comparator can be configured to generate interrupt request when the comparator output value changes. The block diagram is shown in [錯誤! 找不到參照來源。](#)

6.22.2 Features

- Analog input voltage range: 0~ V_{DDA} (Voltage of AV_{DD} pin)
- Supports Hysteresis function
- Optional internal reference voltage source for each comparator negative input



7 APPLICATION CIRCUIT



NUMICRO™ NUC230/240 DATASHEET



8 ELECTRICAL CHARACTERISTICS

8.1 Absolute Maximum Ratings

SYMBOL	PARAMETER	MIN.	MAX	UNIT
DC Power Supply	$V_{DD}-V_{SS}$	-0.3	+7.0	V
Battery Power Supply	V_{BAT}	+2.4	+5.0	V
Input Voltage	V_{IN}	$V_{SS}-0.3$	$V_{DD}+0.3$	V
Oscillator Frequency	$1/t_{CLCL}$	4	24	MHz
Operating Temperature	T_A	-40	+105	°C
Storage Temperature	T_{ST}	-55	+150	°C
Maximum Current into V_{DD}		-	120	mA
Maximum Current out of V_{SS}			120	mA
Maximum Current sunk by a I/O pin			35	mA
Maximum Current sourced by a I/O pin			35	mA
Maximum Current sunk by total I/O pins			100	mA
Maximum Current sourced by total I/O pins			100	mA

Note: Exposure to conditions beyond those listed under absolute maximum ratings may adversely affects the lift and reliability of the device.



8.2 DC Electrical Characteristics

($V_{DD}-V_{SS}=5.5\text{ V}$, $T_A = 25^\circ\text{C}$, $F_{OSC} = 50\text{ MHz}$ unless otherwise specified.)

PARAMETER	SYM.	SPECIFICATION				TEST CONDITIONS				
		MIN.	TYP.	MAX.	UNIT					
Operation Voltage	V_{DD}	2.5		5.5	V	$V_{DD} = 2.5\text{V} \sim 5.5\text{V}$ up to 72 MHz				
Power Ground	V_{SS} AV_{SS}	-0.3			V					
LDO Output Voltage	V_{LDO}	1.62	1.8	1.98	V	$V_{DD} > 2.5\text{V}$				
Band-gap Voltage	V_{BG}	1.22	1.25	1.28	V	$V_{DD} = 2.5\text{V} \sim 5.5\text{V}$, $T_A = 25^\circ\text{C}$				
Analog Operating Voltage	AV_{DD}		V_{DD}		V	When system used analog function, please refer to NUC230/240 Series Technical Reference Manual chapter 6.5 for corresponding analog operating voltage				
RTC Operating Voltage	V_{BAT}	2.5		5.5	V					
Operating Current Normal Run Mode at 72 MHz while(1) executed from flash $V_{LDO} = 1.8\text{ V}$	I_{DD1}		50		mA	V_{DD}	HXT	HIRC	PLL	All digital module
						5.5V	12 MHz	X	V	V
	I_{DD2}		20		mA	5.5V	12 MHz	X	V	X
	I_{DD3}		48			3.3V	12 MHz	X	V	V
I_{DD4}		18		mA	3.3V	12 MHz	X	V	X	
						3.3V	12 MHz	X	V	X
Operating Current Normal Run Mode at 50 MHz while(1) executed from flash $V_{LDO} = 1.8\text{ V}$	I_{DD5}		34		mA	5.5V	12 MHz	X	V	V
	I_{DD6}		15			5.5V	12 MHz	X	V	X
	I_{DD7}		32		mA	3.3V	12 MHz	X	V	V
	I_{DD8}		14			3.3V	12 MHz	X	V	X
Operating Current Normal Run Mode at 12 MHz while(1) executed from flash $V_{LDO} = 1.8\text{ V}$	I_{DD9}		8.5		mA	5.5V	12 MHz	X	X	V
	I_{DD10}		3.6			5.5V	12 MHz	X	X	X
	I_{DD11}		7.5		mA	3.3V	12 MHz	X	X	V
	I_{DD12}		2.6			3.3V	12 MHz	X	X	X
Operating Current Normal Run Mode at 4 MHz while(1) executed from flash $V_{LDO} = 1.8\text{ V}$	I_{DD13}		3.6		mA	5.5V	4 MHz	X	X	V
	I_{DD14}		2			5.5V	4 MHz	X	X	X
	I_{DD15}		2.8		mA	3.3V	4 MHz	X	X	V
	I_{DD16}		1.2			3.3V	4 MHz	X	X	X



PARAMETER	SYM.	SPECIFICATION				TEST CONDITIONS				
		MIN.	TYP.	MAX.	UNIT					
Operating Current Normal Run Mode at 32.768 kHz while(1){} executed from flash V _{LDO} = 1.8 V	I _{DD17}		141		μA	V _{DD}	LXT (kHz)	HIRC	PLL	All digital module
						5.5V	32.768	X	X	V
	I _{DD18}		129		μA	5.5V	32.768	X	X	X
	I _{DD19}		138		μA	3.3V	32.768	X	X	V
	I _{DD20}		125		μA	3.3V	32.768	X	X	X
Operating Current Normal Run Mode at 10 kHz while(1){} executed from flash V _{LDO} = 1.8 V	I _{DD21}		125		μA	V _{DD}	HXT/LXT	LIRC (kHz)	PLL	All digital module
						5.5V	X	10	X	V
	I _{DD22}		120		μA	5.5V	X	10	X	X
	I _{DD23}		125		μA	3.3V	X	10	X	V
	I _{DD24}		120		μA	3.3V	X	10	X	X
Operating Current Idle Mode at 72 MHz V _{LDO} = 1.8 V	I _{IDLE1}		42		mA	V _{DD}	HXT	HIRC	PLL	All digital module
						5.5V	12 MHz	X	V	V
	I _{IDLE2}		11		mA	5.5V	12 MHz	X	V	X
	I _{IDLE3}		41		mA	3.3V	12 MHz	X	V	V
	I _{IDLE4}		9		mA	3.3V	12 MHz	X	V	X
Operating Current Idle Mode at 50 MHz V _{LDO} = 1.8 V	I _{IDLE5}		28		mA	5.5V	12 MHz	X	V	V
	I _{IDLE6}		10		mA	5.5V	12 MHz	X	V	X
	I _{IDLE7}		27		mA	3.3V	12 MHz	X	V	V
	I _{IDLE8}		9		mA	3.3V	12 MHz	X	V	X
Operating Current Idle Mode at 12 MHz V _{LDO} = 1.8 V	I _{IDLE9}		7.5		mA	5.5V	12 MHz	X	X	V
	I _{IDLE10}		2.4		mA	5.5V	12 MHz	X	X	X
	I _{IDLE11}		6.5		mA	3.3V	12 MHz	X	X	V
	I _{IDLE12}		1.5		mA	3.3V	12 MHz	X	X	X
Operating Current Idle Mode at 4 MHz V _{LDO} = 1.8 V	I _{IDLE13}		3.3		mA	5.5V	4 MHz	X	X	V
	I _{IDLE14}		1.7		mA	5.5V	4 MHz	X	X	X
	I _{IDLE15}		2.4		mA	3.3V	4 MHz	X	X	V
	I _{IDLE16}		0.8		mA	3.3V	4 MHz	X	X	X
Operating Current Idle Mode at 32.768 kHz V _{LDO} = 1.8 V	I _{IDLE17}		133		μA	V _{DD}	LXT (kHz)	HIRC	PLL	All digital module
						5.5V	32.768	X	X	V
	I _{IDLE18}		120		μA	5.5V	32.768	X	X	X



PARAMETER	SYM.	SPECIFICATION				TEST CONDITIONS				
		MIN.	TYP.	MAX.	UNIT					
	I _{IDLE19}		133		μA	3.3V	32.768	X	X	V
	I _{IDLE20}		120		μA	3.3V	32.768	X	X	X
Operating Current Idle Mode at 10 kHz	I _{IDLE21}		122		μA	V _{DD}	HXT/LXT	LIRC (kHz)	PLL	All digital module
		5.5V		X		10	X	V		
	I _{IDLE22}		118		μA	5.5V	X	10	X	X
	I _{IDLE23}		122		μA	3.3V	X	10	X	V
	I _{IDLE24}		118		μA	3.3V	X	10	X	X
Standby Current Power-down Mode (Deep Sleep Mode) V _{LDO} = 1.6 V	I _{PWD1}		15		μA	V _{DD}	HXT/HIRC PLL	LXT (kHz)	RTC	RAM retention
		5.5V		X		X	X	V		
	I _{PWD2}		15		μA	5.5V	X	X	X	V
	I _{PWD3}		17		μA	3.3V	X	32.768	V	V
I _{PWD4}		17		μA	3.3V	X	32.768	V	V	
RTC Operating Current	I _{VBAT}		1.6		μA	V _{BAT} = 3.0V, RTC enabled				
Input Current PA, PB, PC, PD, PE, PF (Quasi-bidirectional mode)	I _{IN1}		-50	-60	μA	V _{DD} = 5.5V, V _{IN} = 0V or V _{IN} = V _{DD}				
Input Current at /RESET ⁽¹⁾	I _{IN2}	-55	-45	-30	μA	V _{DD} = 3.3V, V _{IN} = 0.45V				
Input Leakage Current PA, PB, PC, PD, PE, PF	I _{LK}	-2	-	+2	μA	V _{DD} = 5.5V, 0 < V _{IN} < V _{DD}				
Logic 1 to 0 Transition Current PA~PF (Quasi-bidirectional mode)	I _{TL} ^[3]	-650	-	-200	μA	V _{DD} = 5.5V, V _{IN} < 2.0V				
Input Low Voltage PA, PB, PC, PD, PE, PF (TTL input)	V _{IL1}	-0.3	-	0.8	V	V _{DD} = 4.5V				
		-0.3	-	0.6		V _{DD} = 2.5V				
Input High Voltage PA, PB, PC, PD, PE, PF (TTL input)	V _{IH1}	2.0	-	V _{DD} + 0.2	V	V _{DD} = 5.5V				
		1.5	-	V _{DD} + 0.2		V _{DD} = 3.0V				
Input Low Voltage PA, PB, PC, PD, PE, PF (Schmitt input)	V _{IL2}	-0.3	-	0.3V _{DD}	V					
Input High Voltage PA, PB, PC, PD, PE, PF (Schmitt input)	V _{IH2}	0.7V _{DD}	-	V _{DD} + 0.2	V					



PARAMETER	SYM.	SPECIFICATION				TEST CONDITIONS
		MIN.	TYP.	MAX.	UNIT	
Hysteresis voltage of PA, PB, PC, PD, PE, PF (Schmitt input)	V _{HY}		0.2V _{DD}		V	
Input Low Voltage XT1_IN ^[2]	V _{IL3}	0	-	0.8	V	V _{DD} = 4.5V
		0	-	0.4	V	V _{DD} = 3.0V
Input High Voltage XT1_IN ^[2]	V _{IH3}	3.5	-	V _{DD} +0.2	V	V _{DD} = 5.5V
		2.4	-	V _{DD} +0.2	V	V _{DD} = 3.0V
Input Low Voltage X321 ^[2]	V _{IL4}	0	-	0.4	v	
Input High Voltage X321 ^[2]	V _{IH4}	1.2		1.8	V	
Negative going threshold (Schmitt input), /RESET	V _{ILS}	-0.5	-	0.2V _{DD} -0.2	V	
Positive going threshold (Schmitt input), /RESET	V _{IHS}	0.7V _{DD}	-	V _{DD} +0.5	V	
Source Current PA, PB, PC, PD, PE, PF (Quasi-bidirectional Mode)	I _{SR11}	-300	-370	-450	μA	V _{DD} = 4.5V, V _S = 2.4V
	I _{SR12}	-50	-70	-90	μA	V _{DD} = 2.7V, V _S = 2.2V
	I _{SR12}	-40	-60	-80	μA	V _{DD} = 2.5V, V _S = 2.0V
Source Current PA, PB, PC, PD, PE, PF (Push-pull Mode)	I _{SR21}	-24	-28	-32	mA	V _{DD} = 4.5V, V _S = 2.4V
	I _{SR22}	-4	-6	-8	mA	V _{DD} = 2.7V, V _S = 2.2V
	I _{SR22}	-3	-5	-7	mA	V _{DD} = 2.5V, V _S = 2.0V
Sink Current PA, PB, PC, PD, PE, PF (Quasi-bidirectional and Push-pull Mode)	I _{SK1}	10	16	20	mA	V _{DD} = 4.5V, V _S = 0.45V
	I _{SK1}	7	10	13	mA	V _{DD} = 2.7V, V _S = 0.45V
	I _{SK1}	6	9	12	mA	V _{DD} = 2.5V, V _S = 0.45V
Brown-out Voltage with BOD_VL [1:0] = 00b	V _{BO2.2}	2.1	2.2	2.3	V	
Brown-out Voltage with BOD_VL [1:0] = 01b	V _{BO2.7}	2.6	2.7	2.8	V	
Brown-out voltage with BOD_VL [1:0] = 10b	V _{BO3.7}	3.5	3.7	3.9	V	
Brown-out Voltage with BOD_VL [1:0] = 11b	V _{BO4.4}	4.2	4.4	4.6	V	



PARAMETER	SYM.	SPECIFICATION				TEST CONDITIONS
		MIN.	TYP.	MAX.	UNIT	
Hysteresis range of BOD voltage	V _{BH}	30	-	150	mV	V _{DD} = 2.5V~5.5V

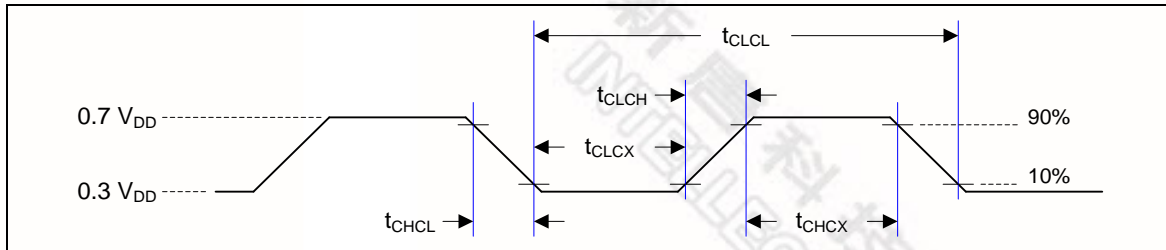
Note:

1. /RESET pin is a Schmitt trigger input.
2. Crystal Input is a CMOS input.
3. Pins of PA, PB, PC, PD, PE and PF can source a transition current when they are being externally driven from 1 to 0. In the condition of V_{DD} = 5.5 V, the transition current reaches its maximum value when V_{IN} approximates to 2 V.



8.3 AC Electrical Characteristics

8.3.1 External 4~24 MHz High Speed Oscillator



Note: Duty cycle is 50%.

SYMBOL	PARAMETER	CONDITION	MIN.	TYP.	MAX.	UNIT
t_{CHCX}	Clock High Time		10	-	-	nS
t_{CLCX}	Clock Low Time		10	-	-	nS
t_{CLCH}	Clock Rise Time		2	-	15	nS
t_{CHCL}	Clock Fall Time		2	-	15	nS

8.3.2 External 4~24 MHz High Speed Crystal

PARAMETER	CONDITION	MIN.	TYP..	MAX.	UNIT
Operation Voltage V_{DD}	-	2.5	-	5.5	V
Temperature	-	-40	-	105	°C
Operating Current	12 MHz at $V_{DD} = 5V$	-	2	-	mA
Clock Frequency	External crystal	4		24	MHz

8.3.2.1 Typical Crystal Application Circuits

CRYSTAL	C1	C2	R
4 MHz ~ 24 MHz	10~20pF	10~20pF	without

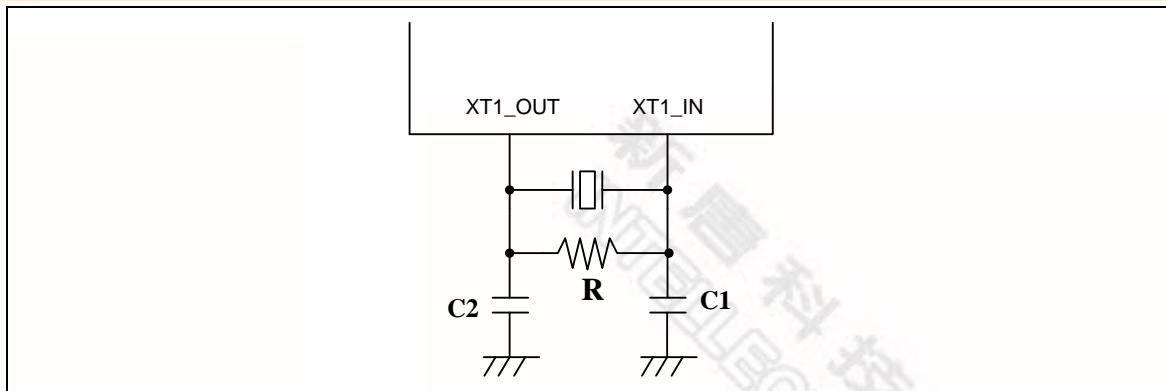


Figure 8-1 Typical Crystal Application Circuit

8.3.3 External 32.768 kHz Low Speed Crystal Oscillator

PARAMETER	CONDITION	MIN.	TYP.	MAX.	UNIT
Operation Voltage V_{DD}	-	2.5	-	5.5	V
Operation Temperature	-	-40	-	105	°C
Operation Current	32.768KHz at $V_{DD}=5V$		1.6		μA
Clock Frequency	External crystal	-	32.768	-	kHz

8.3.4 Internal 22.1184 MHz High Speed Oscillator

PARAMETER	CONDITION	MIN.	TYP.	MAX.	UNIT
Operation Voltage V_{DD}	-	2.5	-	5.5	V
Center Frequency	-	-	22.1184	-	MHz
Calibrated Internal Oscillator Frequency	+25°C; $V_{DD} = 5V$	-1	-	+1	%
	-40°C ~ +105°C; $V_{DD}=2.5V \sim 5.5V$	-3	-	+3	%
Operation Current	$V_{DD} = 5V$	-	800	-	uA

8.3.5 Internal 10 kHz Low Speed Oscillator

PARAMETER	CONDITION	MIN.	TYP.	MAX.	UNIT
Operation Voltage V_{DD}	-	2.5	-	5.5	V
Center Frequency	-	-	10	-	kHz
Calibrated Internal Oscillator Frequency	+25°C; $V_{DD} = 5V$	-20	-	+20	%
	-40°C ~ +105°C; $V_{DD}=2.5V \sim 5.5V$	-50	-	+50	%



8.4 Analog Characteristics

8.4.1 12-bit SARADC Specification

SYMBOL	PARAMETER	MIN.	TYP.	MAX.	UNIT
-	Resolution	-	-	12	Bit
DNL	Differential nonlinearity error	-	-1~2	-1~4	LSB
INL	Integral nonlinearity error	-	±2	±4	LSB
EO	Offset error	-	2	4	LSB
EG	Gain error (Transfer gain)	-	-2	-4	-
-	Monotonic	Guaranteed			
F _{ADC}	ADC clock frequency (AV _{DD} = 5V/3V)	-	-	16/8	MHz
F _S	Sample rate	-	-	1	MSPS
V _{DDA}	Supply voltage	3	-	5.5	V
I _{DDA}	Supply current (Avg.)		2.9		mA
V _{REF}	Reference voltage	3		V _{DDA}	V
V _{IN}	Input voltage	0	-	V _{REF}	V

8.4.2 LDO and Power Management Specification

PARAMETER	MIN.	TYP.	MAX.	UNIT	NOTE
Input Voltage V _{DD}	2.5		5.5	V	V _{DD} input voltage
Output Voltage	1.62	1.8	1.98	V	V _{DD} > 2.5 V
Operating Temperature	-40	25	105	°C	
C _{bp}	-	1	-	μF	R _{ESR} = 1 Ω

Note:

1. It is recommended that a 10 μF or higher capacitor and a 100 nF bypass capacitor are connected between V_{DD} and the closest V_{SS} pin of the device.
2. To ensure power stability, an 1 μF or higher capacitor must be connected between LDO_CAP pin and the closest V_{SS} pin of the device.



8.4.3 Low Voltage Reset Specification

PARAMETER	CONDITION	MIN.	TYP.	MAX.	UNIT
Operation Voltage	-	0	-	5.5	V
Quiescent Current	$AV_{DD}=5.5\text{ V}$	-	1	5	μA
Operation Temperature	-	-40	25	105	$^{\circ}\text{C}$
Threshold Voltage	-	1.6	2.0	2.4	V
Hysteresis	-	0	0	0	V

8.4.4 Brown-out Detector Specification

PARAMETER	CONDITION	MIN.	TYP.	MAX.	UNIT
Operation Voltage	-	0	-	5.5	V
Temperature	-	-40	25	105	$^{\circ}\text{C}$
Quiescent Current	$AV_{DD}=5.5\text{ V}$	-	-	125	μA
Brown-out Voltage	BOD_VL[1:0]=11	4.2	4.4	4.6	V
	BOD_VL [1:0]=10	3.5	3.7	3.9	V
	BOD_VL [1:0]=01	2.6	2.7	2.8	V
	BOD_VL [1:0]=00	2.1	2.2	2.3	V
Hysteresis	-	30	-	150	mV

8.4.5 Power-on Reset Specification

PARAMETER	CONDITION	MIN.	TYP.	MAX.	UNIT
Operation Temperature	-	-40	25	105	$^{\circ}\text{C}$
Reset Voltage	V+	-	2	-	V
Quiescent Current	$V_{in} > \text{reset voltage}$	-	1	-	nA



8.4.6 Temperature Sensor Specification

PARAMETER	CONDITIONS	MIN.	TYP.	MAX.	UNIT
Operation Voltage ^[1]		2.5	-	5.5	V
Operation Temperature		-40	-	105	°C
Current Consumption			16		μA
Gain		-1.55	-1.65	-1.75	mV/°C
Offset Voltage	Temp=0 °C	735	745	755	mV

Note: Internal operation voltage comes from internal LDO.

8.4.7 Comparator Specification

PARAMETER	CONDITION	MIN.	TYP.	MAX.	UNIT
Operation Voltage AV _{DD}	-	2.5		5.5	V
Operation Temperature	-	-40	25	105	°C
Operation Current	V _{DD} =3.0 V	-	20	40	μA
Input Offset Voltage	-	-	10	20	mV
Output Swing	-	0.1	-	V _{DD} -0.1	V
Input Common Mode Range	-	0.1	-	V _{DD} -1.2	V
DC Gain	-	-	70	-	dB
Propagation Delay	V _{CM} =1.2 V and V _{DIFF} =0.1 V	-	200	-	ns
Comparison Voltage	20 mV at V _{CM} =1 V 50 mV at V _{CM} =0.1 V 50 mV at V _{CM} =V _{DD} -1.2 10 mV for non-hysteresis	10	20	-	mV
Hysteresis	V _{CM} =0.4 V ~ V _{DD} -1.2 V	-	±10	-	mV
Wake-up Time	C _{INP} =1.3 V C _{INN} =1.2 V	-	-	2	μs



8.4.8 USB PHY Specification

8.4.8.1 USB DC Electrical Characteristics

SYMBOL	PARAMETER	CONDITIONS	MIN.	TYP.	MAX.	UNIT
V _{IH}	Input High (driven)		2.0			V
V _{IL}	Input Low				0.8	V
V _{DI}	Differential Input Sensitivity	PADP-PADM	0.2			V
V _{CM}	Differential Common-mode Range	Includes V _{DI} range	0.8		2.5	V
V _{SE}	Single-ended Receiver Threshold		0.8		2.0	V
	Receiver Hysteresis			200		mV
V _{OL}	Output Low (driven)		0		0.3	V
V _{OH}	Output High (driven)		2.8		3.6	V
V _{CRS}	Output Signal Cross Voltage		1.3		2.0	V
R _{PU}	Pull-up Resistor		1.425		1.575	kΩ
V _{TRM}	Termination Voltage for Upstream Port Pull-up (RPU)		3.0		3.6	V
Z _{DRV}	Driver Output Resistance	Steady state drive*		10		Ω
C _{IN}	Transceiver Capacitance	Pin to GND			20	pF

*Driver output resistance doesn't include series resistor resistance.

8.4.8.2 USB Full-Speed Driver Electrical Characteristics

SYMBOL	PARAMETER	CONDITIONS	MIN.	TYP.	MAX.	UNIT
T _{FR}	Rise Time	C _L =50p	4		20	ns
T _{FF}	Fall Time	C _L =50p	4		20	ns
T _{FRFF}	Rise and Fall Time Matching	T _{FRFF} =T _{FR} /T _{FF}	90		111.11	%

8.4.8.3 USB Power Dissipation

SYMBOL	PARAMETER	CONDITIONS	MIN.	TYP.	MAX.	UNIT
I _{VBUS}	VBUS Current (Steady State)	Standby		50		μA



8.4.8.4 USB LDO Specification

SYMBOL	PARAMETER	CONDITIONS	MIN.	TYP.	MAX.	UNIT
V _{BUS}	VBUS Pin Input Voltage		4.0	5.0	5.5	V
V _{DD33}	LDO Output Voltage		3.0	3.3	3.6	V
C _{bp}	External Bypass Capacitor			1.0	-	uF

8.5 Flash DC Electrical Characteristics

SYMBOL	PARAMETER	CONDITIONS	MIN.	TYP.	MAX.	UNIT
V _{DD}	Supply Voltage		1.62	1.8	1.98	V ^[2]
N _{ENDUR}	Endurance		10000			cycles ^[1]
T _{RET}	Data Retention	At 25°C	100			year
T _{ERASE}	Page Erase Time			20		ms
T _{MER}	Mass Erase Time			40		ms
T _{PROG}	Program Time			40		μs
I _{DD1}	Read Current		-	0.15	0.5	mA/MHz
I _{DD2}	Program/Erase Current				7	mA

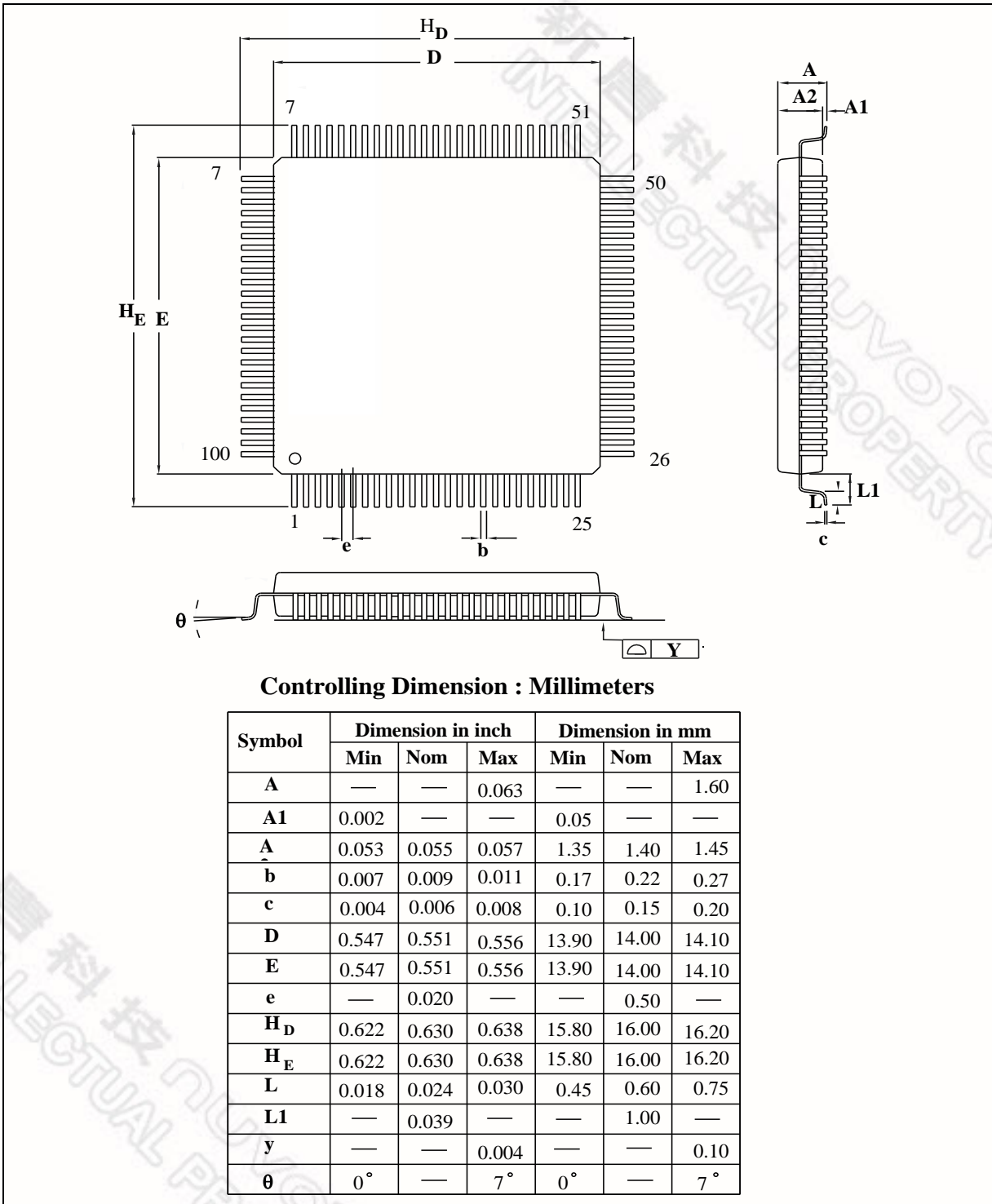
1. Number of program/erase cycles.
2. V_{DD} is source from chip LDO output voltage.

This table is guaranteed by design, not test in production.



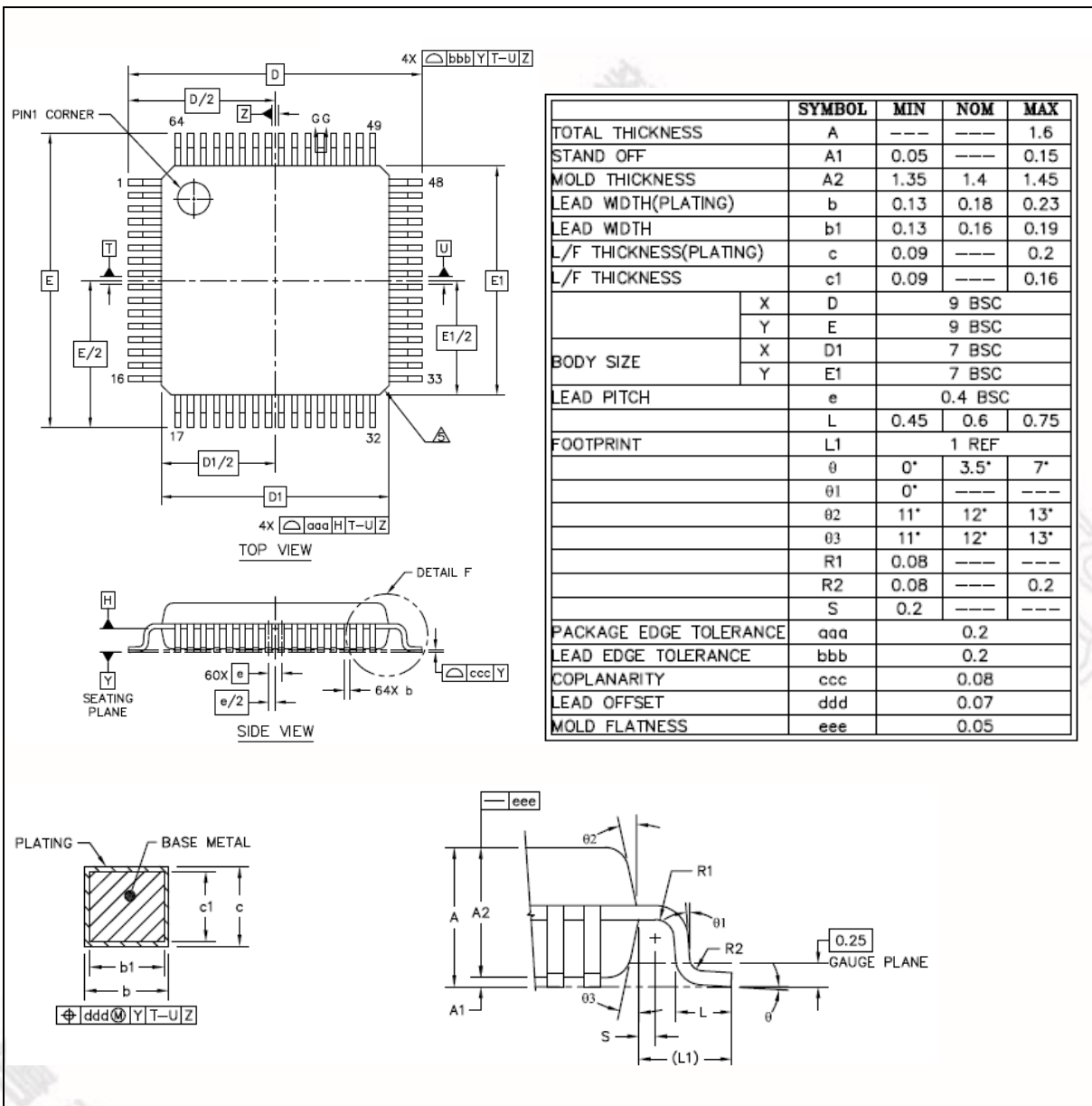
9 PACKAGE DIMENSIONS

9.1 100-pin LQFP (14x14x1.4 mm footprint 2.0 mm)





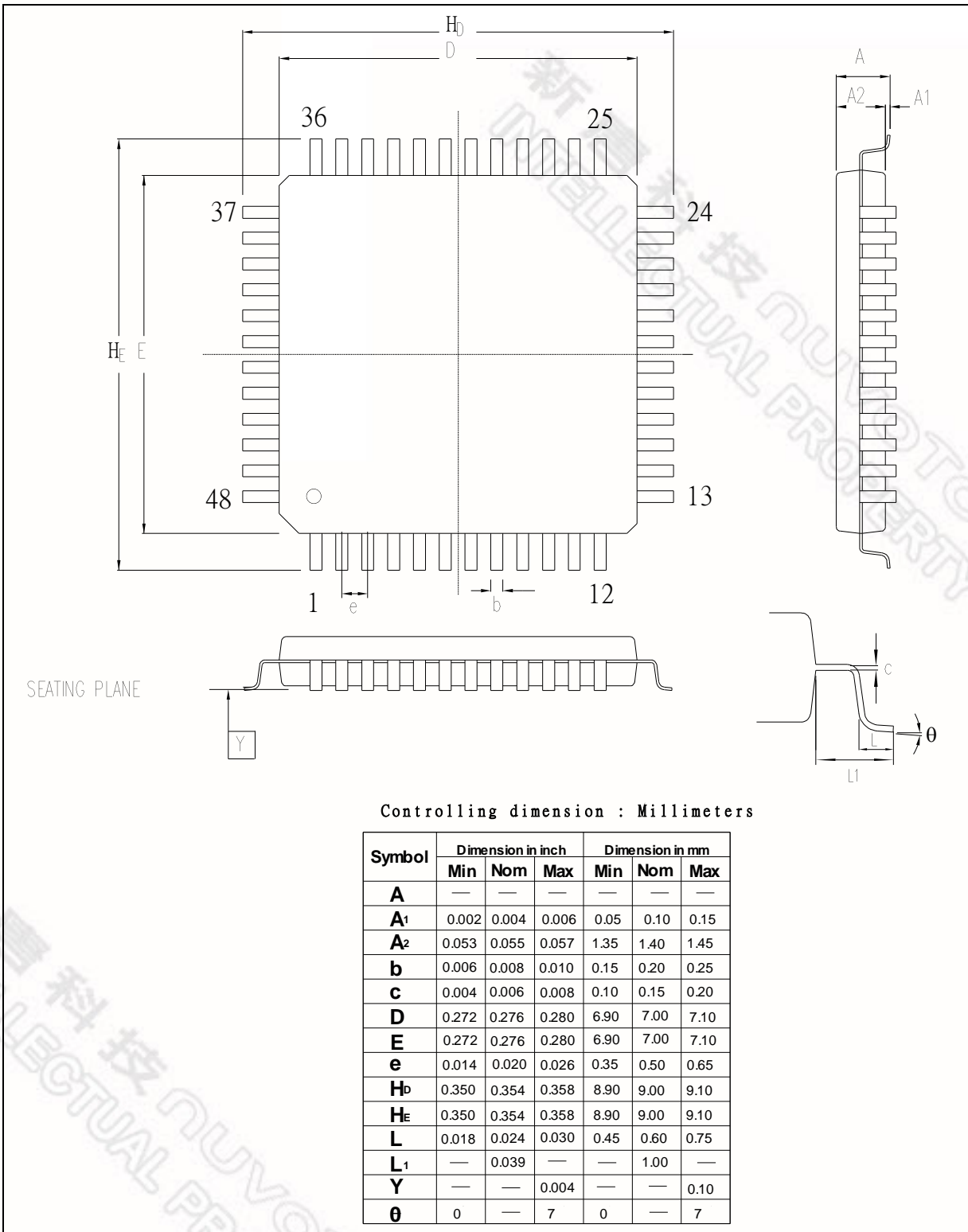
9.2 64-pin LQFP (7x7x1.4 mm footprint 2.0 mm)



NUMICRO™ NUC230/240 DATASHEET



9.3 48-pin LQFP (7x7x1.4 mm footprint 2.0 mm)



NUMICRO™ NUC230/240 DATASHEET



10 REVISION HISTORY

REVISION	DATE	DESCRIPTION
1.00	May 12, 2014	Preliminary version
1.01	Dec. 30, 2014	1, Added EBI function 2, Rearranged the chepter sequence.

Important Notice

Nuvoton Products are neither intended nor warranted for usage in systems or equipment, any malfunction or failure of which may cause loss of human life, bodily injury or severe property damage. Such applications are deemed, "Insecure Usage".

Insecure usage includes, but is not limited to: equipment for surgical implementation, atomic energy control instruments, airplane or spaceship instruments, the control or operation of dynamic, brake or safety systems designed for vehicular use, traffic signal instruments, all types of safety devices, and other applications intended to support or sustain life.

All Insecure Usage shall be made at customer's risk, and in the event that third parties lay claims to Nuvoton as a result of customer's Insecure Usage, customer shall indemnify the damages and liabilities thus incurred by Nuvoton.

Please note that all data and specifications are subject to change without notice.
All the trademarks of products and companies mentioned in this datasheet belong to their respective owners.