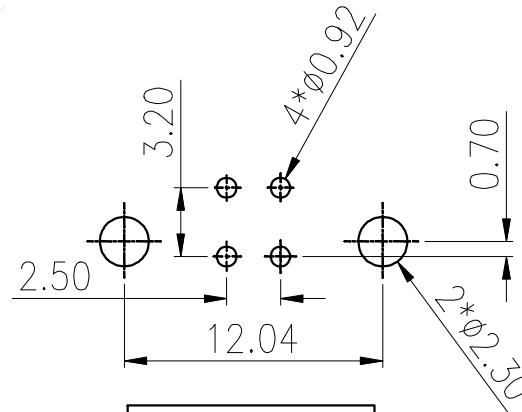
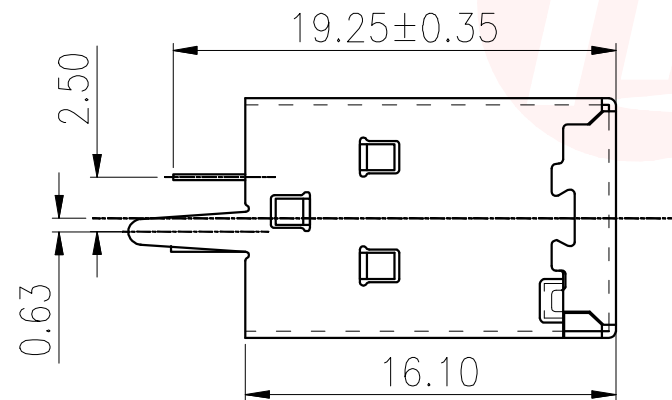
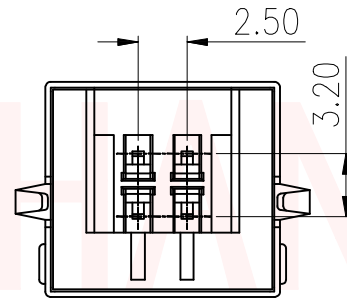
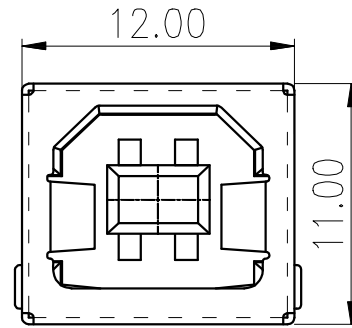
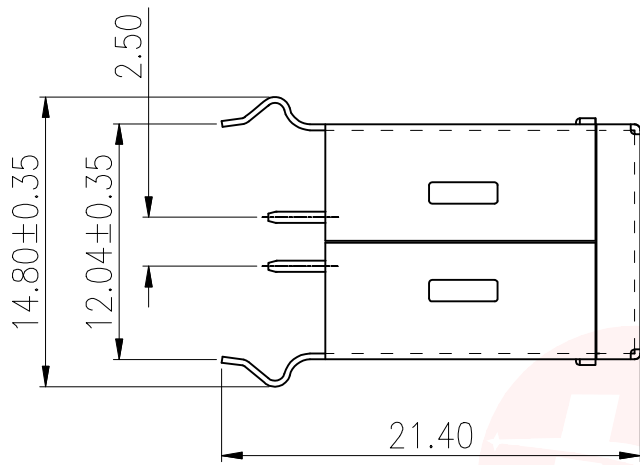




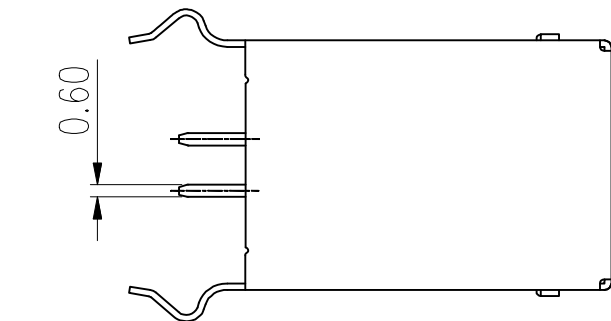
REV.	ECN NO OR DESCRIPTION	REVISED	DATE



**PCB.LAYOUT**

**NOTES:**

- 1.MATERIAL:
  - 1.1 Housing:PBT ,UL94-HB
  - 1.2 terminals:Copper Alloy  
Gold plated in contact area:  
Tin 40u"min plated in termination  
Nickel Plated overall
  - 1.3 Shell:SPCC t=0.30mm,  
Nickel 40u"min Plated overall
- 2.ELECTRICAL CHARACTERISTICS:
  - 2.1 Rating Current :1.5 Ampere
  - 2.2 Rating Voltage :30 V Max
  - 2.3 Contact Resistance:30 Milli ohms
  - 2.4 Insulation Resistance:1000 Mega ohms Min.
- 3.MECHANICAL CHARACTERISTICS:
  - 3.1 Connector Mating force: 35N MAX(3.57Kgf)
  - 3.2 Connector Unmating force:10N min(1.02Kgf)
  - 3.3 Durability:1500Cycles.
- 4.ENVIRONMENT CHARACTERISTICS:
  - 4.1 Operating temperature:-0℃ to +50℃
  - 4.2 Storage temperature:-20℃ to +60℃



UNLESS OTHERWISE SPECIFIED TOLERANCES		东莞市汉博电子科技有限公司 DONGGUAN HANBO TECHNOLOGY CO., LTD		
DECIMALS:	ANGLES:	TITLE	USB BF 180度弯脚	
X :±0.30	X :±2°	DWN	xiong	PART NO. USB-U201-BWS
X.X :±0.20	X.X :±1°	CHKD	lee	SCALE:1:1 UNIT: mm
X.XX :±0.10		APVD	wang	SIZE: A4 SHEET:10F 1 REV: A4
CUSTOMER COPY				