

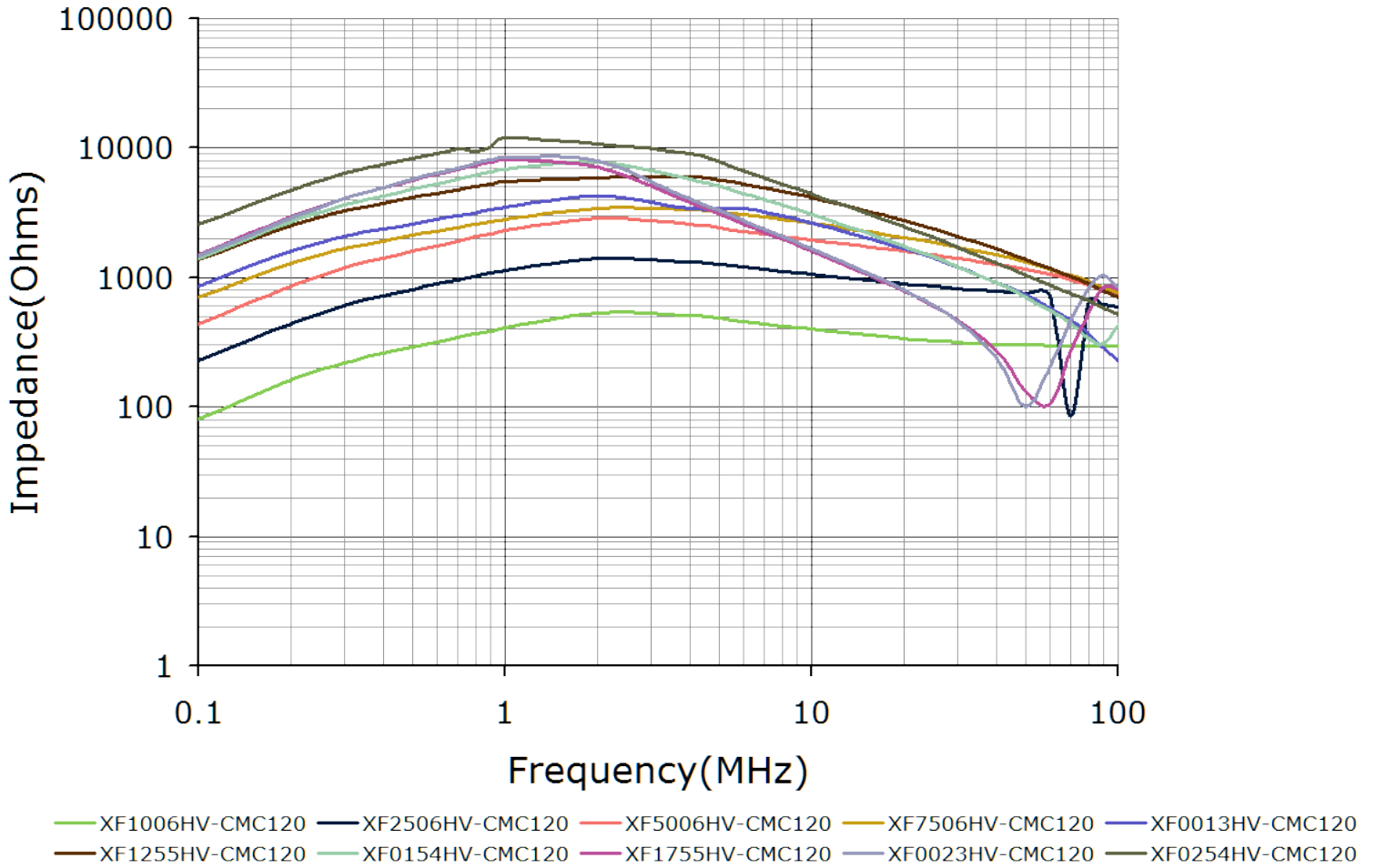
XFxxxxHV-CMC120 Series

Common Mode Chokes

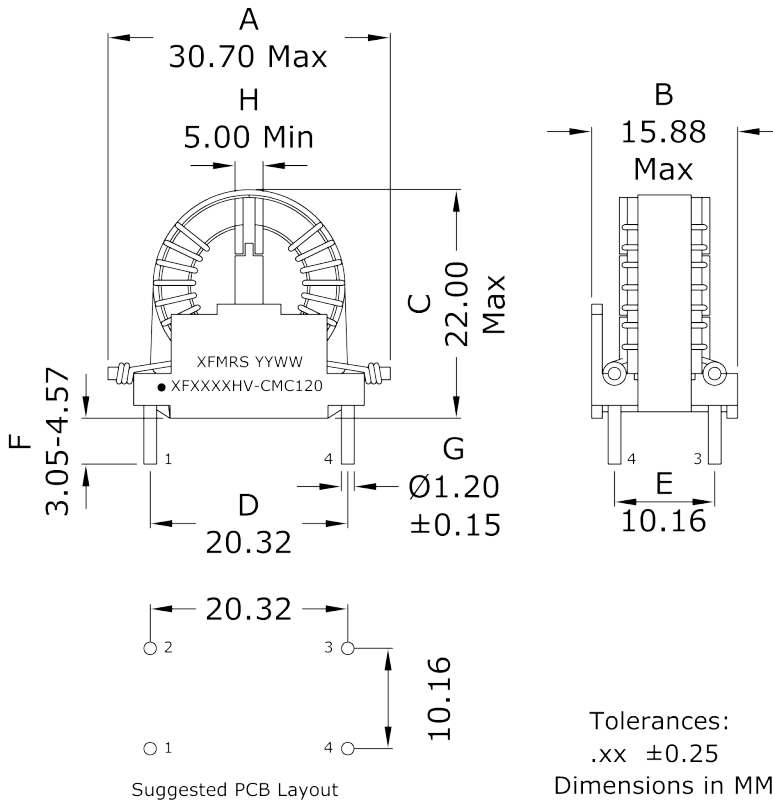
- ▲ Inductance Range: 100uH to 2.5mH
- ▲ Current Ratings: 1.0A to 7.5A
- ▲ High isolation
- ▲ Through-hole
- ▲ High current capability
- ▲ Custom values available upon request

Part Number	Inductance 10KHz, 1V (mH) Min	Current Ratings (A) Max	Q 10KHz 1V Min	SRF Min (MHz)	LL 100KHz 0.1V (uH) Max	DCR Ohms (Max)	Turns Ratio ±2%	Hipot (Vac) 2Sec
XF1006HV-CMC120	0.10	7.50	6.0	1.5	2.5	0.010	1:1	4000
XF2506HV-CMC120	0.25	4.75	3.0	1.5	7.0	0.020	1:1	4000
XF5006HV-CMC120	0.50	2.90	3.0	1.5	11.0	0.045	1:1	4000
XF7506HV-CMC120	0.75	2.70	5.0	1.5	12.0	0.055	1:1	4000
XF0013HV-CMC120	1.00	2.25	3.0	1.5	16.0	0.080	1:1	4000
XF1255HV-CMC120	1.25	1.50	10.0	1.5	21.0	0.130	1:1	4000
XF0154HV-CMC120	1.50	1.45	4.0	1.0	25.0	0.150	1:1	4000
XF1755HV-CMC120	1.75	1.30	4.0	0.7	26.0	0.180	1:1	4000
XF0023HV-CMC120	2.00	1.25	4.0	0.8	29.0	0.200	1:1	4000
XF0254HV-CMC120	2.50	1.00	12.0	1.0	38.0	0.250	1:1	4000

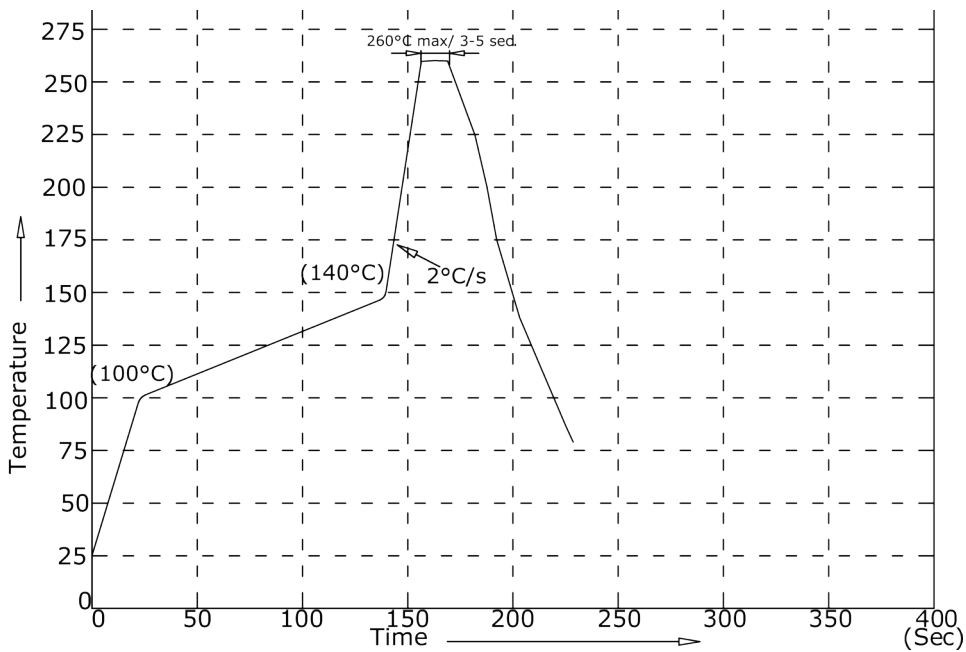
Impedance vs Frequency



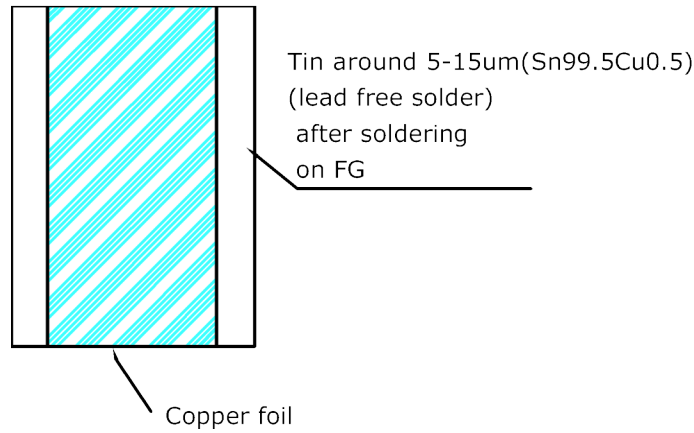
Mechanical Dimensions



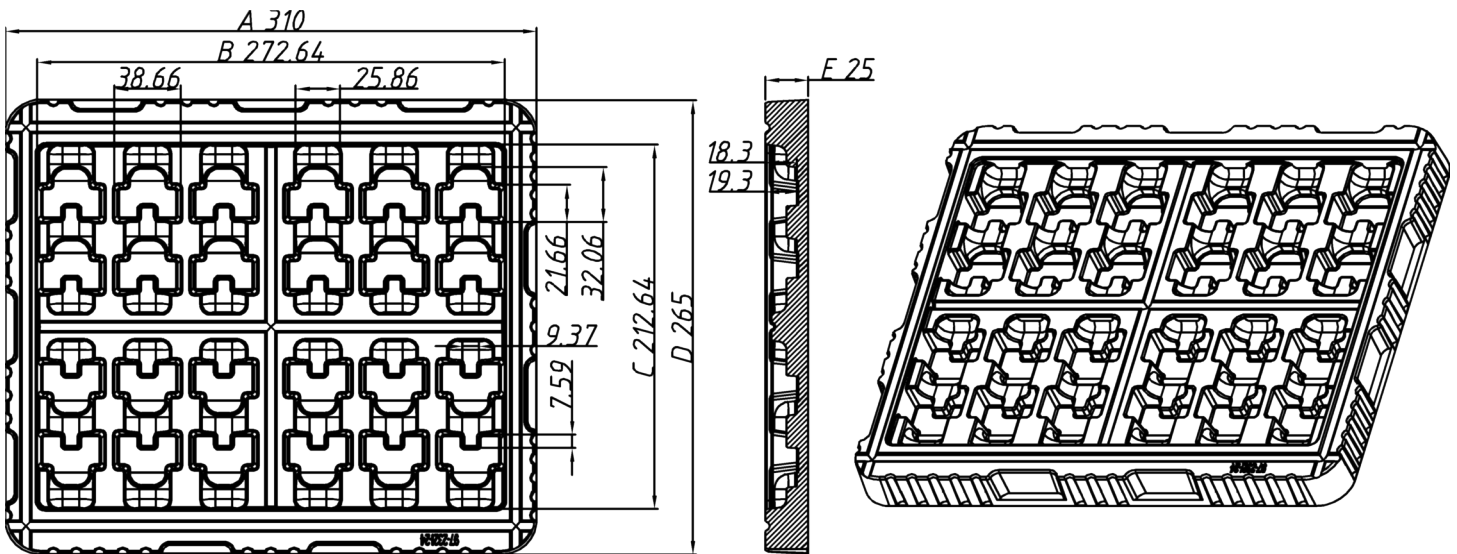
Recommended Wave Solder Profile



Pin Plating Cross-Section



Packaging Dimensions



(Dimensions in mm)

