

IEC Appliance Inlet C8 polarized, Screw-on Mounting, Front Side, Solder, Quick Connect or PCB Terminal



C8 polarized



70° C

See below:

[Approvals and Compliances](#)

### Description

- Panel mount
- Screw-on mounting, from front side
- Appliance Inlet, Pin temperature 70 °C, Protection class II
- Solder, Quick Connect or PCB Terminal

### Weblinks

[pdf datasheet](#), [html-datasheet](#), [General Product Information](#), [Distributor-Stock-Check](#), [Accessories](#), [Detailed request for product](#)

### Technical Data

|                                 |  |                         |   |
|---------------------------------|--|-------------------------|---|
| Ratings IEC                     | 2.5 A / 250 VAC; 50 Hz   | appliance inlet/-outlet | C8p acc. to IEC 60320-1<br>UL 498, CSA C22.2 no. 42 (for cold conditions) pin-temperature 70 °C, 2.5 A, Protection Class II |
| Ratings UL/CSA                  | 2.5 A / 250 VAC; 60 Hz<br>7 A / 125 VAC; 60 Hz                     |                         |   |
| Dielectric Strength             | > 1.5 kVAC between L-N<br>> 3 kVAC between L/N-PE<br>(1 min/50 Hz) |                         |   |
| Allowable Operation Temperature | -25 °C to 70 °C  |                         |   |
| IP-Protection                   | from front side IP 20 acc. to IEC 60529                            |                         |   |
| Insulation cover                | Suitable for appliances with protection class II acc. to IEC 61140 |                         |   |
| Material: Housing               | PA6, black / grey / white, UL 94V-0                                |                         |   |

### Approvals and Compliances

Detailed information on product approvals, code requirements, usage instructions and detailed test conditions can be looked up in [Details about Approvals](#)

### Approvals

The approval mark is used by the testing authorities to certify compliance with the safety requirements placed on electronic products.

Approval Reference Type: 2577

| Approval Logo | Certificates  | Certification Body | Description                      |
|---------------|---------------|--------------------|----------------------------------|
|               | VDE Approvals | VDE                | VDE Certificate Number: 40034368 |
|               | UL Approvals  | UL                 | UL File Number: E96454           |

### Product standards

Product standards that are referenced

| Organization | Design                | Standard         | Description   |
|--------------|-----------------------|------------------|---|
|              | Designed according to | IEC 60320-1      | Appliance couplers for household and similar general purposes         |
|              | Designed according to | UL 498           | Standard for Attachment Plugs and Receptacles                         |
|              | Designed according to | CSA C22.2 no. 42 | General Use Receptacles, Attachment Plugs, and Similar Wiring Devices |

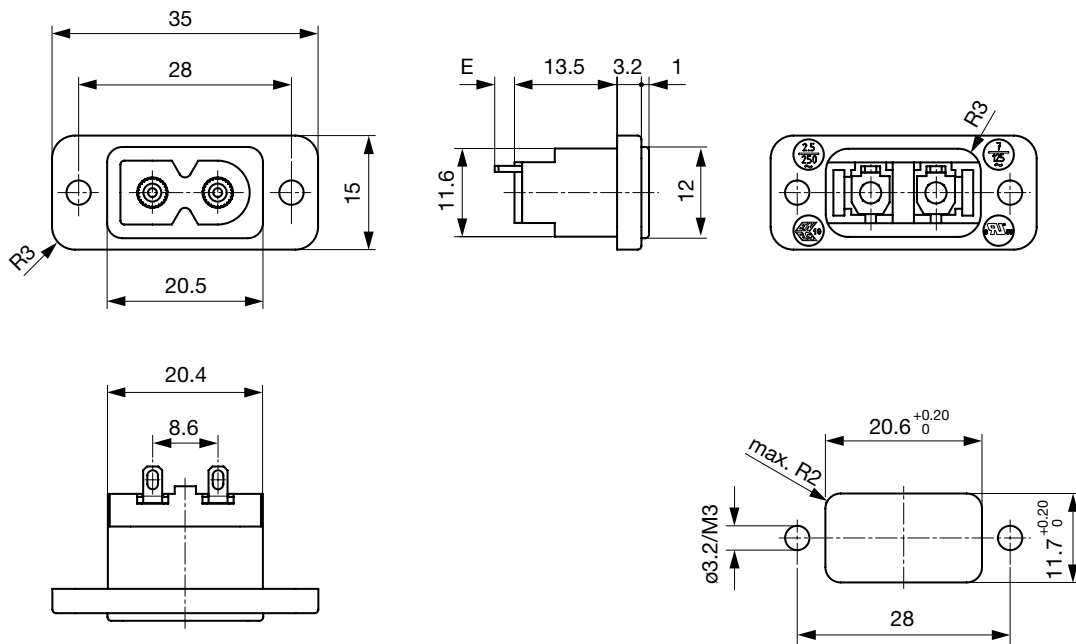
### Application standards

Application standards where the product can be used

| Organization | Design                         | Standard     | Description   |
|--------------|--------------------------------|--------------|---|
|              | Designed for applications acc. | IEC/UL 60950 | IEC 60950-1 includes the basic requirements for the safety of information technology equipment. |

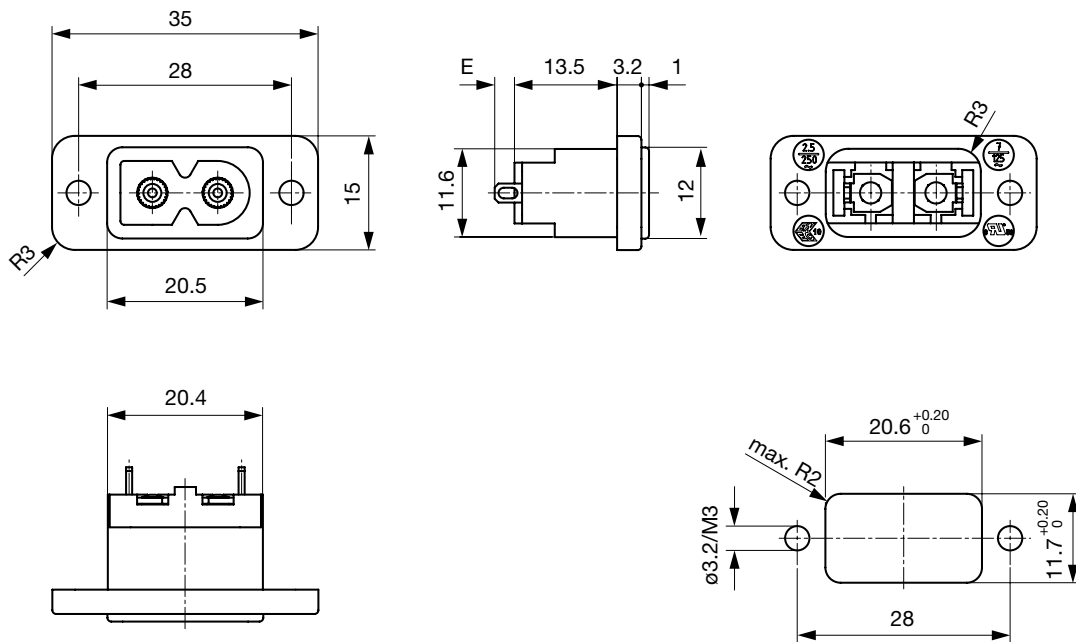


Terminals orientation A



- E: Solder terminals short: 3.6 mm (L=4.8 mm)
- E: Solder terminals long: 7.3 mm (L=8.5 mm)
- E: Quick connect terminals 2.8x0.8 mm: 9.6 mm

Terminals orientation B



- E: Solder terminals short: 3.6 mm (L=4.8 mm)
- E: Solder terminals long: 7.3 mm (L=8.5 mm)
- E: Quick connect terminals 2.8x0.8 mm: 9.6 mm

## Config. Code










2577 - H - A B C 0 - D - E G F

The characters are placeholders for the correspondingly keys of selections from the key tables.

## 2577 - H - A B C 0 - D - E G F = Type

| Type                | Configuration key |
|---------------------|-------------------|
| protection class II | X                 |

## 2577 - H - A B C 0 - D - E G F = Terminals

| Terminal L   |   | Configuration key |
|--|---|-------------------|
| short solder terminal (L = 4.8 mm)                 |    | 2                 |
| long solder terminal (L = 8.5 mm)                  |    | 3                 |
| PCB-terminal standard (additional solder terminal) |    | 4                 |
| PCB-terminal short (additional solder terminal)    |   | 5                 |
| PCB-terminal long (additional solder terminal)     |  | 6                 |
| Blade terminal (2.8 x 0.8 mm)                      |  | 7                 |
| PCB-terminal (standard)                            |  | A                 |
| PCB-terminal (short)                               |  | B                 |
| PCB-terminal (long)                                |  | C                 |

## 2577 - H - A B C 0 - D - E G F = Terminals

| Terminal N   | Configuration key |
|--|-------------------|
| short solder terminal (L = 4.8 mm)                 | 2                 |
| long solder terminal (L = 8.5 mm)                  | 3                 |
| PCB-terminal standard (additional solder terminal) | 4                 |
| PCB-terminal short (additional solder terminal)    | 5                 |
| PCB-terminal long (additional solder terminal)     | 6                 |

Symbols similar as in table A

| Terminal N                    | Configuration key |
|-------------------------------|-------------------|
| Blade terminal (2.8 x 0.8 mm) | 7                 |
| PCB-terminal (standard)       | A                 |
| PCB-terminal (short)          | B                 |
| PCB-terminal (long)           | C                 |

Symbols similar as in table A

## 2577 - H - A B C 0 - D - E G F = Terminals

| Terminal Ground  | Configuration key |
|------------------|-------------------|
| without terminal | 0                 |

Symbols similar as in table A

## 2577 - H - A B C 0 - D - E G F = Color

| Color | Configuration key |
|-------|-------------------|
| Black | A                 |
| Grey  | B                 |
| White | D                 |

## 2577 - H - A B C 0 - D - E G F = Style

| Style                         | Configuration key |
|-------------------------------|-------------------|
| flange with countersunk holes | 1                 |
| flange with through holes     | 2                 |

## 2577 - H - A B C 0 - D - E G F = Dimension S

| Dimension "S" | Configuration key |
|---------------|-------------------|
| 00            |                   |

The dimension "S" is displayed in (1/10 mm). This information is also valid for the order code

## 2577 - H - A B C 0 - D - E G F = Orientation of Terminals

| Orientation of Terminals | Configuration key |
|--------------------------|-------------------|
| horizontal               | A                 |
| vertical                 | B                 |

**All Variants**

| Terminals L / N                                    | Orientation of Terminals | Color | Style                     | Config. Code       | Order Number |
|--|--------------------------|-------|---------------------------|--------------------|--------------|
| short solder terminal (L = 4.8 mm)                 | horizontal               | Black | flange with through holes | 2577-X-2200-A-200A | 6160.0101    |
| long solder terminal (L = 8.5 mm)                  | horizontal               | Black | flange with through holes | 2577-X-3300-A-200A | 6160.0102    |
| PCB-terminal standard (additional solder terminal) | horizontal               | Black | flange with through holes | 2577-X-4400-A-200A | 6160.0103    |
| PCB-terminal (short)                               | horizontal               | Black | flange with through holes | 2577-X-BB00-A-200A | 6160.0104    |
| PCB-terminal (long)                                | horizontal               | Black | flange with through holes | 2577-X-CC00-A-200A | 6160.0105    |
| Blade terminal (2.8 x 0.8 mm)                      | horizontal               | Black | flange with through holes | 2577-X-7700-A-200A | 6160.0106    |
| short solder terminal (L = 4.8 mm)                 | vertical                 | Black | flange with through holes | 2577-X-2200-A-200B | 6160.0143    |

The listed variants should be available from stock. Other versions on request [www.schurter.com/contact](http://www.schurter.com/contact)

Availability for all products can be searched real-time: <https://www.schurter.com/en/Stock-Check/Stock-Check-SCHURTER>

**Packaging unit** 100 Pcs

**Mating Outlets/Connectors**

**Category / Description**



[Power Supply Cord Overview complete](#)

Cord Sets 2.5 A, North America, Black, 2.5 m, SVT 2x18AWG, IEC C7p, 002500 mm, SVT 2x18 AWG, black

6052.0047

[Power Supply Cord further types to 2577](#)