

**Features**

- 3000 MHz operation
- ÷10/11 dual modulus prescaler
- Internal phase detector
- Serial, parallel or hardwired programmable
- Pin compatible with PE3236
- Ultra-low phase noise
- Available in 44-lead PLCC and 7x7 mm 48-lead QFN package

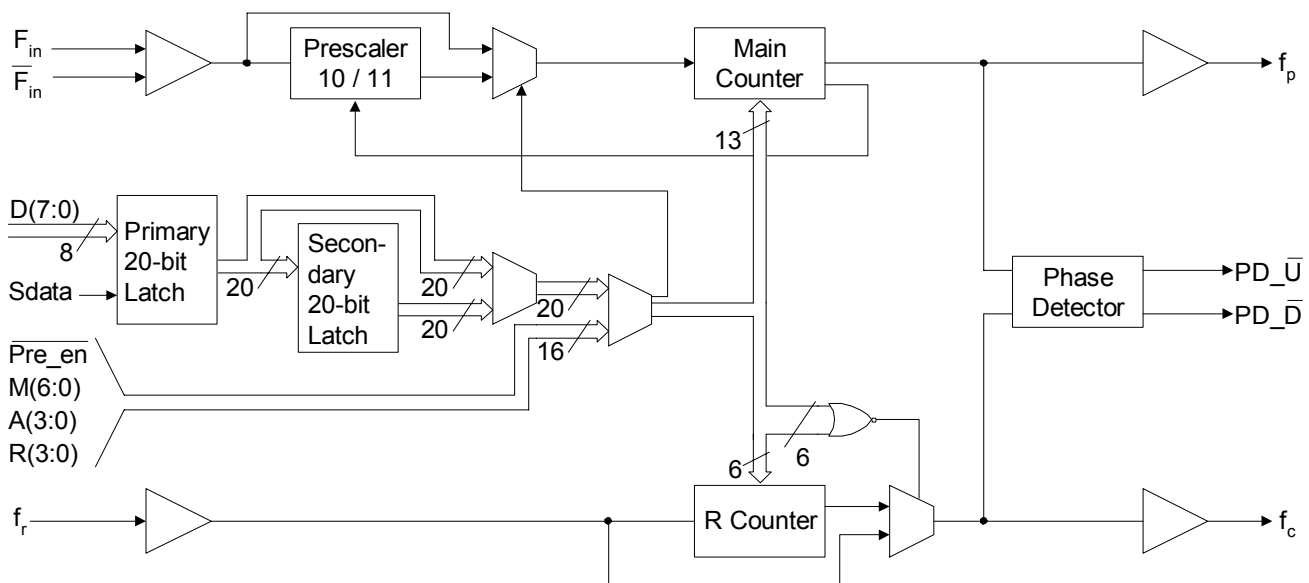
**Product Description**

Peregrine's PE3336 is a high performance integer-N PLL capable of frequency synthesis up to 3000 MHz. The superior phase noise performance of the PE3336 makes it ideal for applications such as LMDS / MMDS / WLL basestations and demanding terrestrial systems.

The PE3336 features a 10/11 dual modulus prescaler, counters and a phase comparator as shown in Figure 1. Counter values are programmable through either a serial or parallel interface and can also be directly hard wired.

The PE3336 Phase Locked-Loop is optimized for terrestrial applications. It is manufactured on Peregrine's UltraCMOS™ process, a patented variation of silicon-on-insulator (SOI) technology on a sapphire substrate, offering the performance of GaAs with the economy and integration of conventional CMOS.

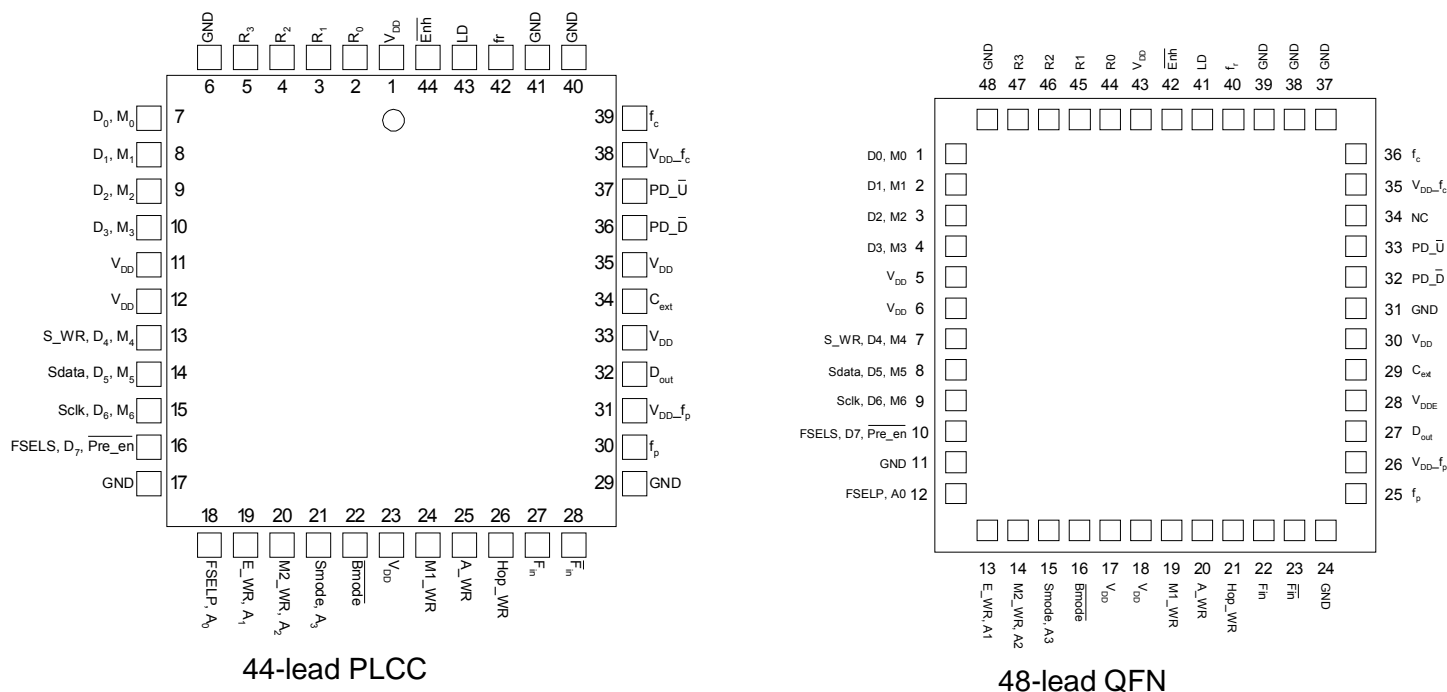
**Figure 1. Block Diagram**



**Table 1. Pin Descriptions (continued)**

Pin No. (44-lead PLCC)	Pin No. (48-lead QFN)	Pin Name	Interface Mode	Type	Description
13	7	S_WR	Serial	Input	Serial load enable input. While S_WR is "low", Sdata can be serially clocked. Primary register data are transferred to the secondary register on S_WR or Hop_WR rising edge.
		D <sub>4</sub>	Parallel	Input	Parallel data bus bit4
		M <sub>4</sub>	Direct	Input	M Counter bit4
14	8	Sdata	Serial	Input	Binary serial data input. Input data entered MSB first.
		D <sub>5</sub>	Parallel	Input	Parallel data bus bit5.
		M <sub>5</sub>	Direct	Input	M Counter bit5.
15	9	Sclk	Serial	Input	Serial clock input. Sdata is clocked serially into the 20-bit primary register (E_WR "low") or the 8-bit enhancement register (E_WR "high") on the rising edge of Sclk.
		D <sub>6</sub>	Parallel	Input	Parallel data bus bit6.
		M <sub>6</sub>	Direct	Input	M Counter bit6.
16	10	FSELS	Serial	Input	Selects contents of primary register (FSELS=1) or secondary register (FSELS=0) for programming of internal counters while in Serial Interface Mode.
		D <sub>7</sub>	Parallel	Input	Parallel data bus bit7 (MSB).
		Pre_en	Direct	Input	Prescaler enable, active "low". When "high", F <sub>in</sub> bypasses the prescaler.
17	11	GND	ALL		Ground.
18	12	FSELP	Parallel	Input	Selects contents of primary register (FSELP=1) or secondary register (FSELP=0) for programming of internal counters while in Parallel Interface Mode.
		A <sub>0</sub>	Direct	Input	A Counter bit0 (LSB).
19	13	E_WR	Serial	Input	Enhancement register write enable. While E_WR is "high", Sdata can be serially clocked into the enhancement register on the rising edge of Sclk.
			Parallel	Input	Enhancement register write. D[7:0] are latched into the enhancement register on the rising edge of E_WR.
		A <sub>1</sub>	Direct	Input	A Counter bit1.
20	14	M2_WR	Parallel	Input	M2 write. D[3:0] are latched into the primary register (R[5:4], M [8:7]) on the rising edge of M2_WR.
		A <sub>2</sub>	Direct	Input	A Counter bit2.
21	15	Smode	Serial, Parallel	Input	Selects serial bus interface mode (Bmode=0, Smode=1) or Parallel Interface Mode (Bmode=0, Smode=0).
		A <sub>3</sub>	Direct	Input	A Counter bit3 (MSB).
22	16	Bmode	ALL	Input	Selects direct interface mode (Bmode=1).
23	17,18	V <sub>DD</sub>	ALL	(Note 1)	Same as pin 1.
24	19	M1_WR	Parallel	Input	M1 write. D[7:0] are latched into the primary register (Pre_en, M[6:0]) on the rising edge of M1_WR.
25	20	A_WR	Parallel	Input	A write. D[7:0] are latched into the primary register (R[3:0], A [3:0]) on the rising edge of A_WR.
26	21	Hop_WR	Serial, Parallel	Input	Hop write. The contents of the primary register are latched into the secondary register on the rising edge of Hop_WR.
27	22	F <sub>in</sub>	ALL	Input	Prescaler input from the VCO. 3.0 GHz max frequency.

**Figure 2. Pin Configurations (Top View)**



**Table 1. Pin Descriptions**

Pin No. (44-lead PLCC)	Pin No. (48-lead QFN)	Pin Name	Interface Mode	Type	Description
1	43	V <sub>DD</sub>	ALL	(Note 1)	Power supply input. Input may range from 2.85 V to 3.15 V. Bypassing recommended.
2	44	R <sub>0</sub>	Direct	Input	R Counter bit0 (LSB).
3	45	R <sub>1</sub>	Direct	Input	R Counter bit1.
4	46	R <sub>2</sub>	Direct	Input	R Counter bit2.
5	47	R <sub>3</sub>	Direct	Input	R Counter bit3.
6	48	GND	ALL	(Note 1)	Ground.
7	1	D <sub>0</sub>	Parallel	Input	Parallel data bus bit0 (LSB).
		M <sub>0</sub>	Direct	Input	M Counter bit0 (LSB).
8	2	D <sub>1</sub>	Parallel	Input	Parallel data bus bit1.
		M <sub>1</sub>	Direct	Input	M Counter bit1.
9	3	D <sub>2</sub>	Parallel	Input	Parallel data bus bit2.
		M <sub>2</sub>	Direct	Input	M Counter bit2.
10	4	D <sub>3</sub>	Parallel	Input	Parallel data bus bit3.
		M <sub>3</sub>	Direct	Input	M Counter bit3.
11	5	V <sub>DD</sub>	ALL	(Note 1)	Same as pin 1.
12	6	V <sub>DD</sub>	ALL	(Note 1)	Same as pin 1.

**Table 1. Pin Descriptions (continued)**

Pin No. (44-lead PLCC)	Pin No. (48-lead QFN)	Pin Name	Interface Mode	Type	Description
28	23	$\overline{F_{in}}$	ALL	Input	Prescaler complementary input. A bypass capacitor should be placed as close as possible to this pin and be connected in series with a 50 $\Omega$ resistor directly to the ground plane.
29	24	GND	ALL		Ground.
30	25	$f_p$	ALL	Output	Monitor pin for main divider output. Switching activity can be disabled through enhancement register programming or by floating or grounding $V_{DD}$ pin 31.
31	26	$V_{DD-f_p}$	ALL	(Note 1)	$V_{DD}$ for $f_p$ . Can be left floating or connected to GND to disable the $f_p$ output.
32	27	Dout	Serial, Parallel	Output	Data Out. The MSEL signal and the raw prescaler output are available on Dout through enhancement register programming.
33	28	$V_{DD}$	ALL	(Note 1)	Same as pin 1.
34	29	Cext	ALL	Output	Logical "NAND" of PD_U and PD_D terminated through an on chip, 2 k $\Omega$ series resistor. Connecting Cext to an external capacitor will low pass filter the input to the inverting amplifier used for driving LD.
35	30	$V_{DD}$	ALL	(Note 1)	Same as pin 1.
36	32	PD_D	ALL	Output	PD_D is pulse down when $f_p$ leads $f_c$ .
37	33	PD_U	ALL		PD_U is pulse down when $f_c$ leads $f_p$ .
38	35	$V_{DD-f_c}$	ALL	(Note 1)	$V_{DD}$ for $f_c$ can be left floating or connected to GND to disable the $f_c$ output.
39	36	$f_c$	ALL	Output	Monitor pin for reference divider output. Switching activity can be disabled through enhancement register programming or by floating or grounding $V_{DD}$ pin 38.
40	31,37	GND	ALL		Ground.
41	38,39	GND	ALL		Ground.
42	40	$f_r$	ALL	Input	Reference frequency input.
43	41	LD	ALL	Output	Lock detect and open drain logical inversion of CEXT. When the loop is in lock, LD is high impedance, otherwise LD is a logic low ("0").
44	42	$\overline{Enh}$	Serial, Parallel	Input	Enhancement mode. When asserted low ("0"), enhancement register bits are functional.
N/A	34	NC	ALL		No connection.

**Note 1:** All  $V_{DD}$  pins are connected by diodes and must be supplied with the same positive voltage level.  $V_{DD-f_p}$  and  $V_{DD-f_c}$  are used to power the  $f_p$  and  $f_c$  outputs and can alternatively be left floating or connected to GND to disable the  $f_p$  and  $f_c$  outputs.

**Note 2:** All digital input pins have 70 k $\Omega$  pull-down resistors to ground.

**Table 2. Absolute Maximum Ratings**

Symbol	Parameter/Conditions	Min	Max	Units
$V_{DD}$	Supply voltage	-0.3	4.0	V
$V_I$	Voltage on any input	-0.3	$V_{DD}$	V
$I_I$	DC into any input	-10	+10	mA
$I_O$	DC into any output	-10	+10	mA
$T_{stg}$	Storage temperature	-65	150	°C

**Table 3. Operating Ratings**

Symbol	Parameter/Conditions	Min	Max	Units
$V_{DD}$	Supply voltage	2.85	3.15	V
$T_A$	Operating ambient	-40	85	°C

**Table 4. ESD Ratings**

Symbol	Parameter/Conditions	Level	Units
$V_{ESD}$	ESD voltage (Human Body)	1000	V

**Note 1:** Periodically sampled, not 100% tested. Tested per MIL-STD-883, M3015 C2

### Electrostatic Discharge (ESD) Precautions

When handling this UltraCMOS™ device, observe the same precautions that you would use with other ESD-sensitive devices. Although this device contains circuitry to protect it from damage due to ESD, precautions should be taken to avoid exceeding the specified rating in Table 4.

### Latch-Up Avoidance

Unlike conventional CMOS devices, UltraCMOS™ devices are immune to latch-up.

**Table 5. DC Characteristics:**  $V_{DD} = 3.0\text{ V}$ ,  $-40^\circ\text{ C} < T_A < 85^\circ\text{ C}$ , unless otherwise specified

Symbol	Parameter	Conditions	Min	Typ	Max	Units
$I_{DD}$	Operational supply current;	$V_{DD} = 2.85\text{ to }3.15\text{ V}$		10		mA
	Prescaler disabled					
	Prescaler enabled			19	26	mA
Digital Inputs: All except $f_r$ , $R_0$ , $F_{in}$ , $F_{in}$						
$V_{IH}$	High level input voltage	$V_{DD} = 2.85\text{ to }3.15\text{ V}$	$0.7 \times V_{DD}$			V
$V_{IL}$	Low level input voltage	$V_{DD} = 2.85\text{ to }3.15\text{ V}$			$0.3 \times V_{DD}$	V
$I_{IH}$	High level input current	$V_{IH} = V_{DD} = 3.15\text{ V}$			+70	μA
$I_{IL}$	Low level input current	$V_{IL} = 0, V_{DD} = 3.15\text{ V}$	-1			μA
Reference Divider input: $f_r$						
$I_{IHR}$	High level input current	$V_{IH} = V_{DD} = 3.15\text{ V}$			+100	μA
$I_{ILR}$	Low level input current	$V_{IL} = 0, V_{DD} = 3.15\text{ V}$	-100			μA
R0 Input (Pull-up Resistor): $R_0$						
$I_{IHRO}$	High level input current	$V_{IH} = V_{DD} = 3.15\text{ V}$			+5	μA
$I_{ILRO}$	Low level input current	$V_{IL} = 0, V_{DD} = 3.15\text{ V}$	-5			μA
Counter and phase detector outputs: $f_c$ , $f_p$ , PD_D, PD_U						
$V_{OLD}$	Output voltage LOW	$I_{out} = 6\text{ mA}$			0.4	V
$V_{OHD}$	Output voltage HIGH	$I_{out} = -3\text{ mA}$	$V_{DD} - 0.4$			V
Lock detect outputs: Cext, LD						
$V_{OLC}$	Output voltage LOW, Cext	$I_{out} = 100\text{ mA}$			0.4	V
$V_{OHC}$	Output voltage HIGH, Cext	$I_{out} = -100\text{ mA}$	$V_{DD} - 0.4$			V
$V_{OLLD}$	Output voltage LOW, LD	$I_{out} = 6\text{ mA}$			0.4	V

**Table 6. AC Characteristics:**  $V_{DD} = 3.0\text{ V}$ ,  $-40^\circ\text{ C} < T_A < 85^\circ\text{ C}$ , unless otherwise specified

Symbol	Parameter	Conditions	Min	Max	Units
Control Interface and Latches (see Figures 3, 4, 5)					
$f_{\text{Clk}}$	Serial data clock frequency			10	MHz
$t_{\text{ClkH}}$	Serial clock HIGH time		30		ns
$t_{\text{ClkL}}$	Serial clock LOW time		30		ns
$t_{\text{DSU}}$	Sdata set-up time after Sclk rising edge, D[7:0] set-up time to M1_WR, M2_WR, A_WR, E_WR rising edge		10		ns
$t_{\text{DHLD}}$	Sdata hold time after Sclk rising edge, D[7:0] hold time to M1_WR, M2_WR, A_WR, E_WR rising edge		10		ns
$t_{\text{PW}}$	S_WR, M1_WR, M2_WR, A_WR, E_WR pulse width		30		ns
$t_{\text{CWR}}$	Sclk rising edge to S_WR rising edge. S_WR, M1_WR, M2_WR, A_WR falling edge to Hop_WR rising edge		30		ns
$t_{\text{CE}}$	Sclk falling edge to E_WR transition		30		ns
$t_{\text{WRC}}$	S_WR falling edge to Sclk rising edge. Hop_WR falling edge to S_WR, M1_WR, M2_WR, A_WR rising edge		30		ns
$t_{\text{EC}}$	E_WR transition to Sclk rising edge		30		ns
$t_{\text{MDO}}$	MSEL data out delay after Fin rising edge	$C_L = 12\text{ pf}$		8	ns
Main Divider (Including Prescaler)					
$F_{\text{in}}$	Operating frequency		500	3000	MHz
$P_{\text{Fin}}$	Input level range	External AC coupling	-5	5	dBm
Main Divider (Prescaler Bypassed)					
$F_{\text{in}}$	Operating frequency		50	300	MHz
$P_{\text{Fin}}$	Input level range	External AC coupling	-5	5	dBm
Reference Divider					
$f_r$	Operating frequency	(Note 1)	(Note 2)	100	MHz
$P_{\text{fr}}$	Reference input power	Single ended input	-2	10	dBm
$V_{\text{fr}}$	Input sensitivity	External AC coupling (Note 3)	0.5		$V_{\text{p-p}}$
Phase Detector					
$f_c$	Comparison frequency	(Note 1)		20	MHz

**Note 1:** Parameter is guaranteed through characterization only and is not tested.

**Note 2:** Running at low frequencies (< 10 MHz sinewave), the device will still be functional but may cause phase noise degradation. Inserting a low-noise amplifier to square up the edges is recommended at lower input frequencies.

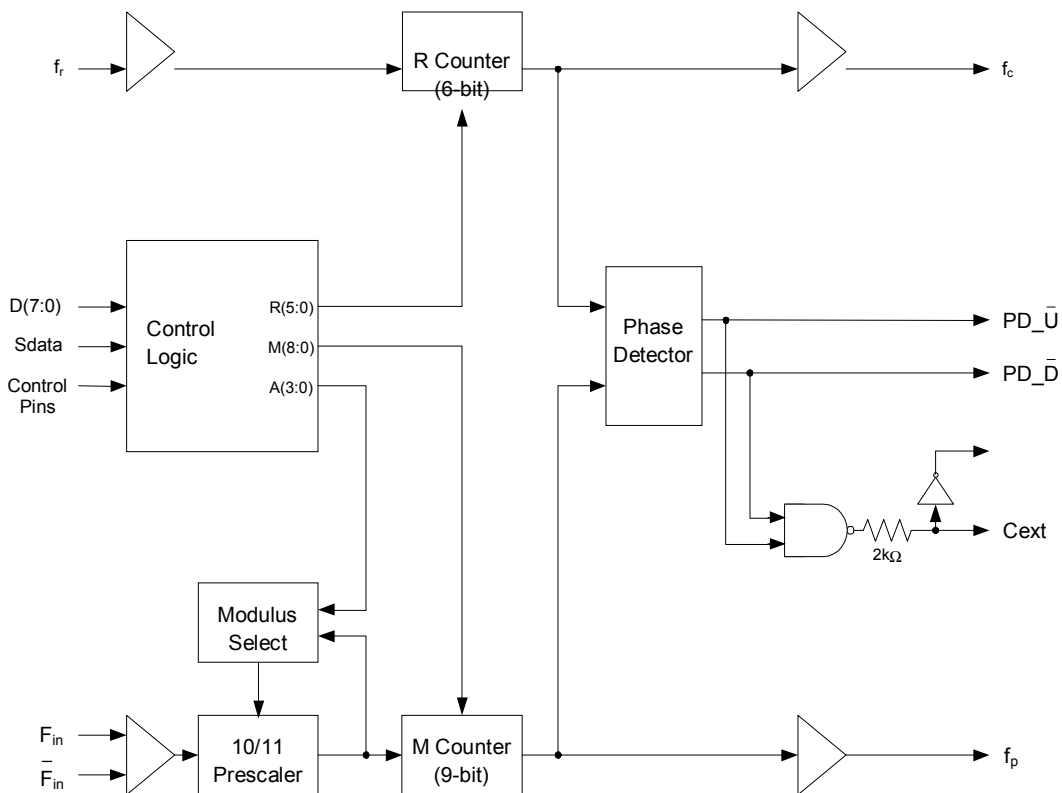
**Note 3:** CMOS logic levels may be used if DC coupled. For optimum phase noise performance, the reference input falling edge rate should be faster than 80mV/ns.

### Functional Description

The PE3336 consists of a prescaler, counters, a phase detector and control logic. The dual modulus prescaler divides the VCO frequency by either 10 or 11, depending on the value of the modulus select. Counters “R” and “M” divide the reference and prescaler output, respectively, by integer values stored in a 20-bit register. An additional counter (“A”) is used in the modulus select logic. The phase-frequency detector

generates up and down frequency control signals. The control logic includes a selectable chip interface. Data can be written via serial bus, parallel bus, or hardwired direct to the pins. There are also various operational and test modes and lock detect.

Figure 3. Functional Block Diagram



## Main Counter Chain

The main counter chain divides the RF input frequency,  $F_{in}$ , by an integer derived from the user defined values in the “M” and “A” counters. It is composed of the 10/11 dual modulus prescaler, modulus select logic, and 9-bit M counter. Setting Pre\_en “low” enables the 10/11 prescaler. Setting Pre\_en “high” allows  $F_{in}$  to bypass the prescaler and powers down the prescaler.

The output from the main counter chain,  $f_p$ , is related to the VCO frequency,  $F_{in}$ , by the following equation:

$$f_p = F_{in} / [10 \times (M + 1) + A] \quad (1)$$

where  $A \leq M + 1$ ,  $1 \leq M \leq 511$

When the loop is locked,  $F_{in}$  is related to the reference frequency,  $f_r$ , by the following equation:

$$F_{in} = [10 \times (M + 1) + A] \times (f_r / (R+1)) \quad (2)$$

where  $A \leq M + 1$ ,  $1 \leq M \leq 511$

A consequence of the upper limit on A is that  $F_{in}$  must be greater than or equal to  $90 \times (f_r / (R+1))$  to obtain contiguous channels. Programming the M Counter with the minimum value of “1” will result in a minimum M Counter divide ratio of “2”.

When the prescaler is bypassed, the equation becomes:

$$F_{in} = (M + 1) \times (f_r / (R+1)) \quad (3)$$

where  $1 \leq M \leq 511$

In Direct Interface Mode, main counter inputs  $M_7$  and  $M_8$  are internally forced low.

## Reference Counter

The reference counter chain divides the reference frequency,  $f_r$ , down to the phase detector comparison frequency,  $f_c$ .

The output frequency of the 6-bit R Counter is related to the reference frequency by the following equation:

$$f_c = f_r / (R + 1) \quad (4)$$

where  $0 \leq R \leq 63$

Note that programming R equal to “0” will pass the reference frequency,  $f_r$ , directly to the phase detector.

In Direct Interface Mode, R Counter inputs  $R_4$  and  $R_5$  are internally forced low (“0”).

## Register Programming

### Parallel Interface Mode

Parallel Interface Mode is selected by setting the Bmode input “low” and the Smode input “low”.

Parallel input data, D[7:0], are latched in a parallel fashion into one of three, 8-bit primary register sections on the rising edge of M1\_WR, M2\_WR, or A\_WR per the mapping shown in Table 7 on page 10. The contents of the primary register are transferred into a secondary register on the rising edge of Hop\_WR according to the timing diagram shown in Figure 4. Data are transferred to the counters as shown in Table 7 on page 10.

The secondary register acts as a buffer to allow rapid changes to the VCO frequency. This double buffering for “ping-pong” counter control is programmed via the FSELP input. When FSELP is “high”, the primary register contents set the counter inputs. When FSELP is “low”, the secondary register contents are utilized.

Parallel input data, D[7:0], are latched into the enhancement register on the rising edge of E\_WR according to the timing diagram shown in Figure 4. This data provides control bits as shown in Table 8 on page 10 with bit functionality enabled by asserting the Enh input “low”.

### Serial Interface Mode

Serial Interface Mode is selected by setting the Bmode input “low” and the Smode input “high”.

While the E\_WR input is “low” and the S\_WR input is “low”, serial input data (Sdata input),  $B_0$  to  $B_{19}$ , are clocked serially into the primary register on the rising edge of Sclk, MSB ( $B_0$ ) first. The contents from the primary register are transferred into the secondary register on the rising edge of either S\_WR or Hop\_WR according to the timing diagram shown in Figures 4-5. Data are transferred to the counters as shown in Table 7 on page 10.

The double buffering provided by the primary and secondary registers allows for “ping-pong” counter control using the FSELS input. When FSELS is “high”, the primary register contents set the counter inputs. When FSELS is “low”, the secondary register contents are utilized.

While the E\_WR input is “high” and the S\_WR



input is “low”, serial input data (Sdata input), B<sub>0</sub> to B<sub>7</sub>, are clocked serially into the enhancement register on the rising edge of Sclk, MSB (B<sub>0</sub>) first. The enhancement register is double buffered to prevent inadvertent control changes during serial loading, with buffer capture of the serially entered data performed on the falling edge of E\_WR according to the timing diagram shown in Figure 5. After the falling edge of E\_WR, the data provide control bits as shown in Table 8 with bit functionality enabled by asserting the Enh input “low”.

### Direct Interface Mode

Direct Interface Mode is selected by setting the Bmode input “high”.

Counter control bits are set directly at the pins as shown in Table 7. In Direct Interface Mode, main counter inputs M<sub>7</sub> and M<sub>8</sub>, and R Counter inputs R<sub>4</sub> and R<sub>5</sub> are internally forced low (“0”).

**Table 7. Primary Register Programming**

Interface Mode	Enh	Bmode	Smode	R <sub>5</sub>	R <sub>4</sub>	M <sub>8</sub>	M <sub>7</sub>	Pre_en	M <sub>6</sub>	M <sub>5</sub>	M <sub>4</sub>	M <sub>3</sub>	M <sub>2</sub>	M <sub>1</sub>	M <sub>0</sub>	R <sub>3</sub>	R <sub>2</sub>	R <sub>1</sub>	R <sub>0</sub>	A <sub>3</sub>	A <sub>2</sub>	A <sub>1</sub>	A <sub>0</sub>
Parallel	1	0	0	M2_WR rising edge load				M1_WR rising edge load								A_WR rising edge load							
				D <sub>3</sub>	D <sub>2</sub>	D <sub>1</sub>	D <sub>0</sub>	D <sub>7</sub>	D <sub>6</sub>	D <sub>5</sub>	D <sub>4</sub>	D <sub>3</sub>	D <sub>2</sub>	D <sub>1</sub>	D <sub>0</sub>	D <sub>7</sub>	D <sub>6</sub>	D <sub>5</sub>	D <sub>4</sub>	D <sub>3</sub>	D <sub>2</sub>	D <sub>1</sub>	D <sub>0</sub>
Serial*	1	0	1	B <sub>0</sub>	B <sub>1</sub>	B <sub>2</sub>	B <sub>3</sub>	B <sub>4</sub>	B <sub>5</sub>	B <sub>6</sub>	B <sub>7</sub>	B <sub>8</sub>	B <sub>9</sub>	B <sub>10</sub>	B <sub>11</sub>	B <sub>12</sub>	B <sub>13</sub>	B <sub>14</sub>	B <sub>15</sub>	B <sub>16</sub>	B <sub>17</sub>	B <sub>18</sub>	B <sub>19</sub>
Direct	1	1	X	0	0	0	0	Pre_en	M <sub>6</sub>	M <sub>5</sub>	M <sub>4</sub>	M <sub>3</sub>	M <sub>2</sub>	M <sub>1</sub>	M <sub>0</sub>	R <sub>3</sub>	R <sub>2</sub>	R <sub>1</sub>	R <sub>0</sub>	A <sub>3</sub>	A <sub>2</sub>	A <sub>1</sub>	A <sub>0</sub>

\*Serial data clocked serially on Sclk rising edge while E\_WR “low” and captured in secondary register on S\_WR rising edge.

↑  
MSB (first in)

(last in) LSB ↑

**Table 8. Enhancement Register Programming**

Interface Mode	Enh	Bmode	Smode	Reserved	Reserved	Reserved	Power down	Counter load	MSEL output	Prescaler output	f <sub>c</sub> , f <sub>p</sub> OE		
Parallel	0	X	0	E_WR rising edge load									
				D <sub>7</sub>	D <sub>6</sub>	D <sub>5</sub>	D <sub>4</sub>	D <sub>3</sub>	D <sub>2</sub>	D <sub>1</sub>	D <sub>0</sub>		
Serial*	0	X	1	B <sub>0</sub>	B <sub>1</sub>	B <sub>2</sub>	B <sub>3</sub>	B <sub>4</sub>	B <sub>5</sub>	B <sub>6</sub>	B <sub>7</sub>		

\*Serial data clocked serially on Sclk rising edge while E\_WR “high” and captured in the double buffer on E\_WR falling edge.

↑  
MSB (first in)

(last in) LSB ↑

Figure 4. Parallel Interface Mode Timing Diagram

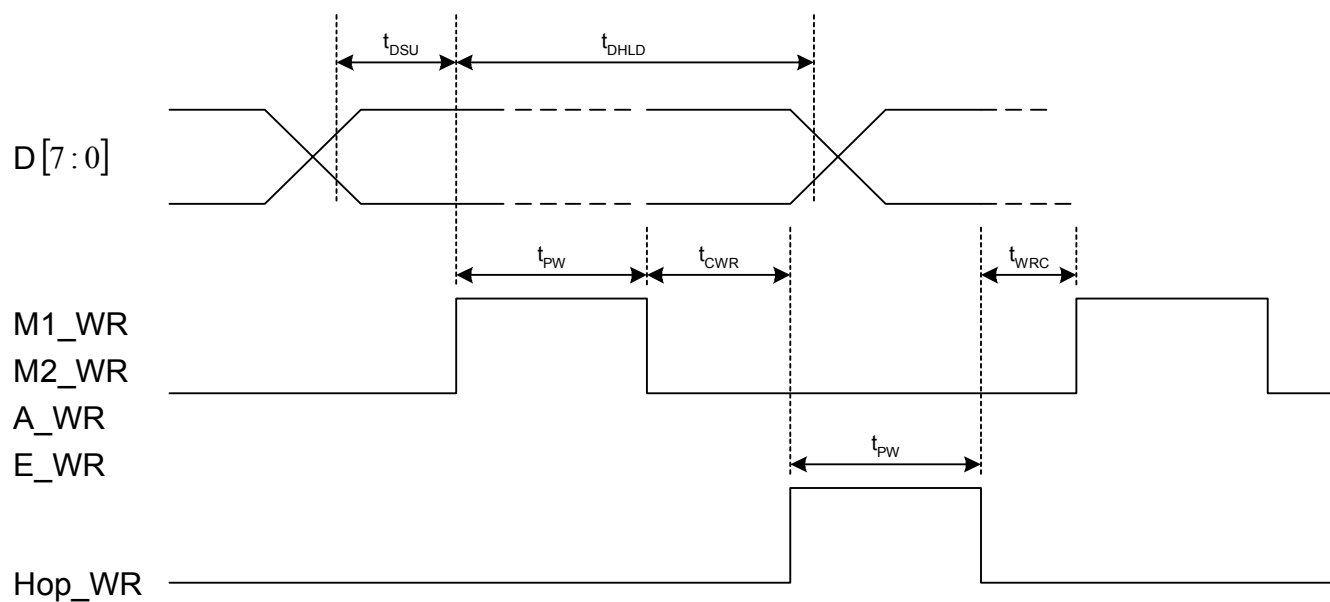
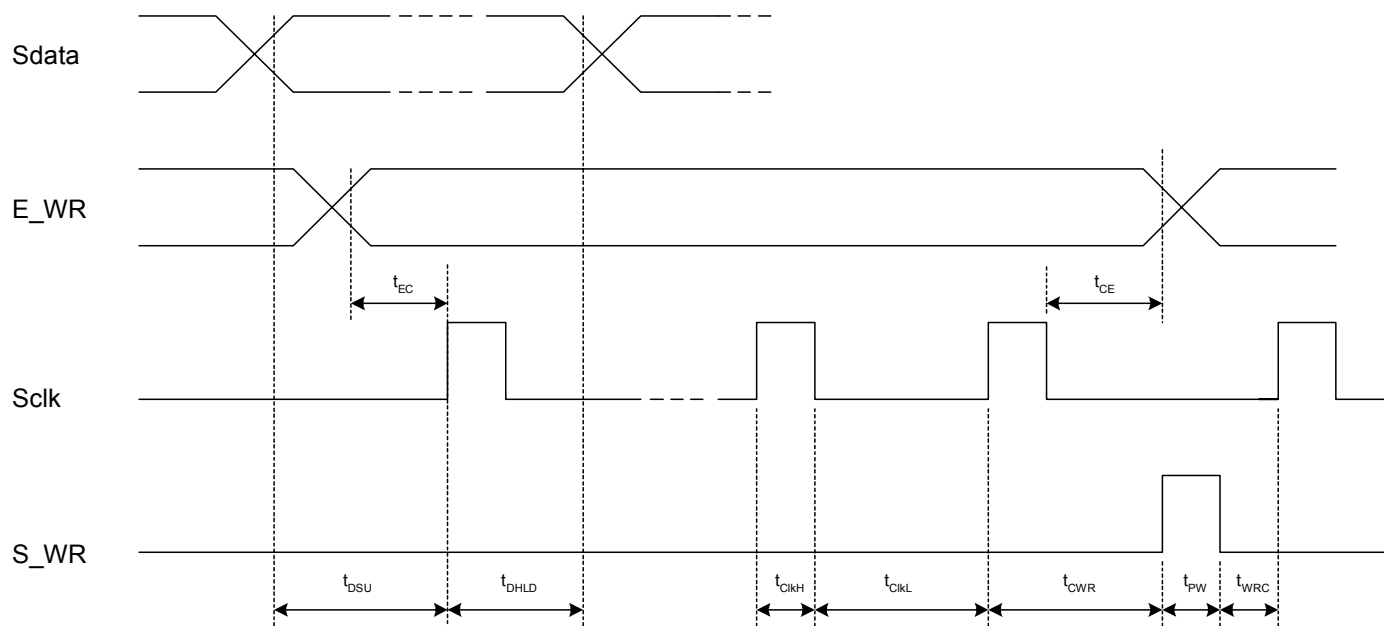


Figure 5. Serial Interface Mode Timing Diagram



## Enhancement Register

The functions of the enhancement register bits are shown below with all bits active “high”.

**Table 9. Enhancement Register Bit Functionality**

Bit Function		Description
Bit 0	Reserved**	
Bit 1	Reserved**	
Bit 2	Reserved**	
Bit 3	Power down	Power down of all functions except programming interface.
Bit 4	Counter load	Immediate and continuous load of counter programming as directed by the Bmode and
Bit 5	MSEL output	Drives the internal dual modulus prescaler modulus select (MSEL) onto the Dout output.
Bit 6	Prescaler output	Drives the raw internal prescaler output onto the Dout output.
Bit 7	$f_p, f_c$ OE	$f_p, f_c$ outputs disabled.

\*\* Program to 0

## Phase Detector

The phase detector is triggered by rising edges from the main Counter ( $f_p$ ) and the reference counter ( $f_c$ ). It has two outputs, PD\_U, and PD\_D. If the divided VCO leads the divided reference in phase or frequency ( $f_p$  leads  $f_c$ ), PD\_D pulses “low”. If the divided reference leads the divided VCO in phase or frequency ( $f_c$  leads  $f_p$ ), PD\_U pulses “low”. The width of either pulse is directly proportional to phase offset between the two input signals,  $f_p$  and  $f_c$ .

The phase detector gain is equal to  $2.7 \text{ V} / 2 \pi$ , which numerically yields  $0.43 \text{ V} / \text{radian}$ .

PD\_U and PD\_D drive an active loop filter which controls the VCO tune voltage. PD\_U pulses result in an increase in VCO frequency; PD\_D pulses result in a decrease in VCO frequency (for a positive  $K_v$  VCO).

A lock detect output, LD is also provided, via the pin Cext. Cext is the logical “NAND” of PD\_U and PD\_D waveforms, which is driven through a series 2 kohm resistor. Connecting Cext to an external shunt capacitor provides low pass filtering of this signal. Cext also drives the input of an internal inverting comparator with an open drain output. Thus LD is an “AND” function of PD\_U and PD\_D.

## Handling Requirements

All surface mount products which do not meet Level 1 moisture sensitivity requirements are processed through dry bake and pack procedure. The necessary data is recorded on the caution label of each shipment. Both packages for the PE3335 are moisture sensitivity Level 3.

### Level 3 Caution Label

The caution label should contain the following information for Level 3 devices:

1. Calculated shelf life in sealed bag: 12 months at <math><40\text{ }^\circ\text{C}</math> and <math><90\%</math> relative humidity (RH)
2. Peak package body temperature is 225 °C.
3. After bag is opened, devices that will be subjected to reflow solder or other high temperature process must
  - a) Be mounted within 168 hours of factory conditions <math><30\text{ }^\circ\text{C}/60\%</math> RH, **or**
  - b) Be stored at <math><10\%</math> RH
4. Devices require bake, before mounting, if:
  - a) Humidity Indicator Card is > 10% when read at <math>23 \pm 5\text{ }^\circ\text{C}</math>
  - b) 3a or 3b are not met
5. If baking is required, devices may be baked for 48 hours at <math>125\text{ }^\circ\text{C}</math>

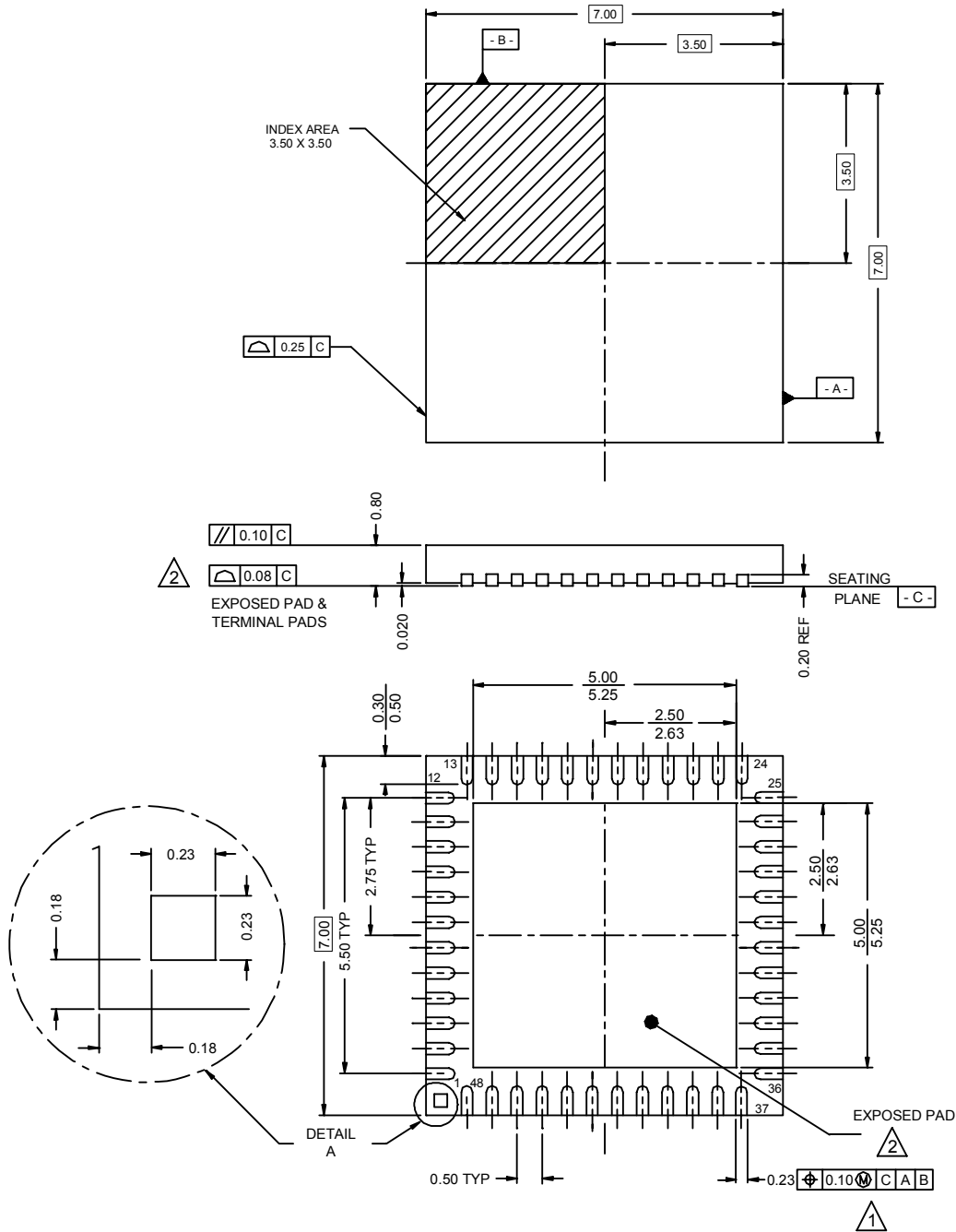
Note: If device containers cannot be subjected to high temperature or shorter bake times are desired, reference IPC/JEDEC-J-STD-033 for bake procedure.

Level and Body temperature defined by:  
IPC/JEDEC-J-STD-020

For Dry Bake Procedures, see:  
IPC/JEDEC-J-STD-033

Operator must observe ESD precautions per ESD Control Procedure and Parts Handling and shipping Procedure.

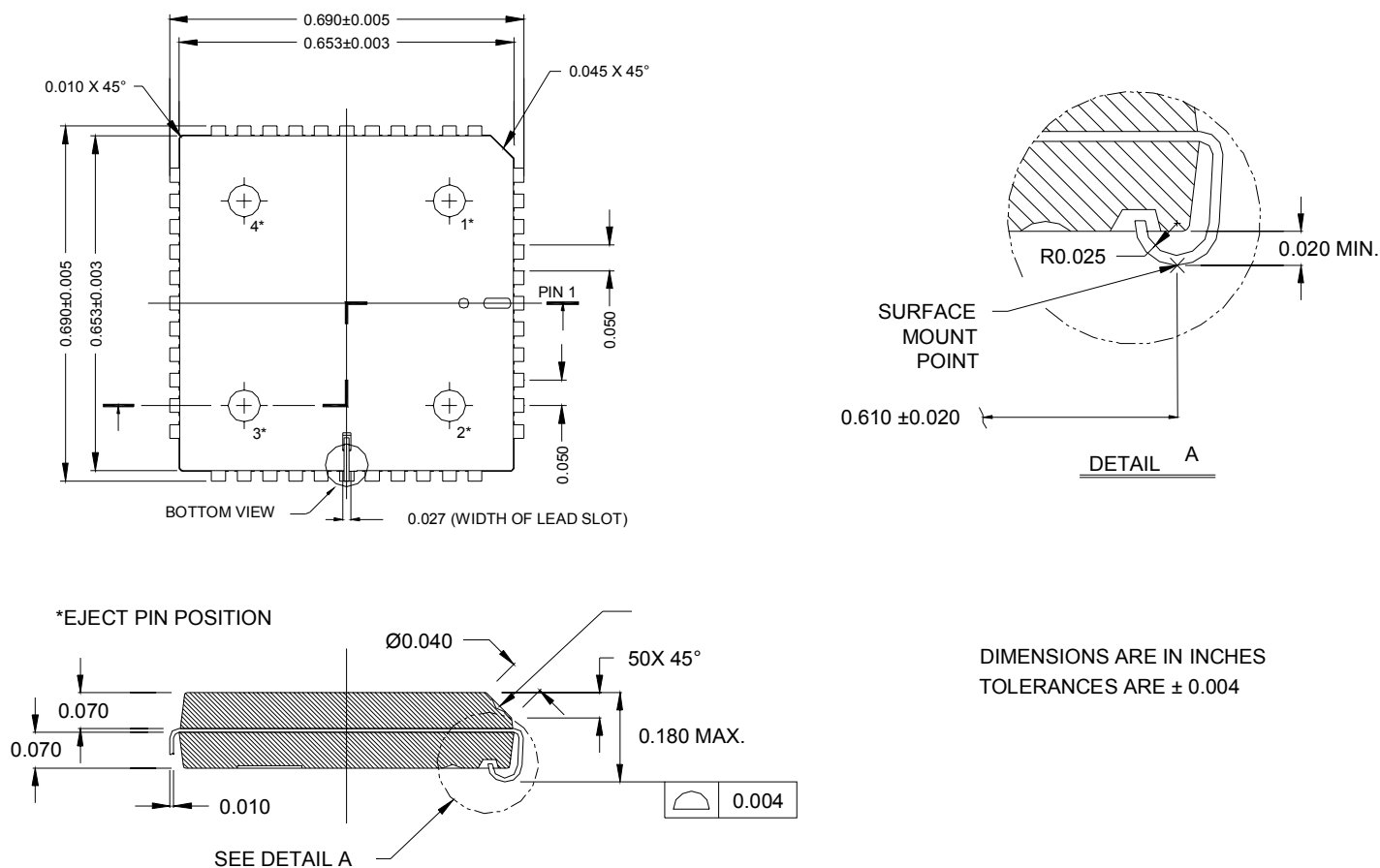
**Figure 6. Package Drawing**  
48-lead QFN



1. DIMENSION APPLIES TO METALLIZED TERMINAL AND IS MEASURED BETWEEN 0.25 AND 0.30 FROM TERMINAL TIP.
2. COPLANARITY APPLIES TO THE EXPOSED HEAT SINK SLUG AS WELL AS THE TERMINALS.

**Figure 7. Package Drawing**

44-lead PLCC



**Table 10. Ordering Information**

Order Code	Part Marking	Description	Package	Shipping Method
3336-21	PE3336	PE3336-44PLCC-27A	44-lead PLCC	27 units / Tube
3336-22	PE3336	PE3336-44PLCC-500C	44-lead PLCC	500 units / T&R
3336-23	PE3336	PE3336-48QFN 7x7 mm-52A	48-lead QFN	52 units / Tube
3336-24	PE3336	PE3336-48QFN 7x7 mm-2000C	48-lead QFN	2000 units / T&R
3336-00	PE3336EK	PE3336-44PLCC-EVAL KIT	Evaluation Kit	1 / Box
3336-01	PE3336EK	PE3336-48QFN 7x7 mm-EK	Evaluation Kit	1 / Box

## Sales Offices

### *The Americas*

#### **Peregrine Semiconductor Corporation**

9450 Carroll Park Drive  
San Diego, CA 92121  
Tel 858-731-9400  
Fax 858-731-9499

### *Europe*

#### **Peregrine Semiconductor Europe**

Bâtiment Maine  
13-15 rue des Quatre Vents  
F- 92380 Garches, France  
Tel: +33-1-47-41-91-73  
Fax : +33-1-47-41-91-73

#### **Space and Defense Products**

##### **Americas:**

Tel: 505-881-0438  
Fax: 505-881-0443

##### **Europe, Asia Pacific:**

180 Rue Jean de Guiramand  
13852 Aix-En-Provence cedex 3, France  
Tel: +33(0) 4 4239 3361  
Fax: +33(0) 4 4239 7227

### *North Asia Pacific*

#### **Peregrine Semiconductor K.K.**

5A-5, 5F Imperial Tower  
1-1-1 Uchisaiwaicho, Chiyoda-ku  
Tokyo 100-0011 Japan  
Tel: +81-3-3502-5211  
Fax: +81-3-3502-5213

#### **Peregrine Semiconductor, Korea**

#B-2402, Kolon Tripolis, #210  
Geumgok-dong, Bundang-gu, Seongnam-si,  
Gyeonggi-do, 463-480 S. Korea  
Tel: +82-31-728-4300  
Fax: +82-31-728-4305

### *South Asia Pacific*

#### **Peregrine Semiconductor, China**

Shanghai, 200040, P.R. China  
Tel: +86-21-5836-8276  
Fax: +86-21-5836-7652

For a list of representatives in your area, please refer to our Web site at: [www.psemi.com](http://www.psemi.com)

## Data Sheet Identification

### **Advance Information**

The product is in a formative or design stage. The data sheet contains design target specifications for product development. Specifications and features may change in any manner without notice.

### **Preliminary Specification**

The data sheet contains preliminary data. Additional data may be added at a later date. Peregrine reserves the right to change specifications at any time without notice in order to supply the best possible product.

### **Product Specification**

The data sheet contains final data. In the event Peregrine decides to change the specifications, Peregrine will notify customers of the intended changes by issuing a DCN (Document Change Notice).

The information in this data sheet is believed to be reliable. However, Peregrine assumes no liability for the use of this information. Use shall be entirely at the user's own risk.

No patent rights or licenses to any circuits described in this data sheet are implied or granted to any third party.

Peregrine's products are not designed or intended for use in devices or systems intended for surgical implant, or in other applications intended to support or sustain life, or in any application in which the failure of the Peregrine product could create a situation in which personal injury or death might occur. Peregrine assumes no liability for damages, including consequential or incidental damages, arising out of the use of its products in such applications.

The Peregrine name, logo, and UTSi are registered trademarks and UltraCMOS and HaRP are trademarks of Peregrine Semiconductor Corp.