

LEC-7331

Fanless Surveillance Platform
Powered by the Intel® Bay Trail CPU



Features

- Intel® Celeron® J1900/N2930 or Atom™ E3845
- VGA (1600x1200) & HDMI (1920x1080) Video-out
- Fanless & Power-conscious
- Dual GbE Ports
- Dual Serial COM Ports
- High-speed USB 3.0
- Integrated SIM Card Reader
- -20°C~55°C Operating Temperature

Specifications

Processor System	
CPU	Intel® Celeron® J1900/N2930 or Atom™ E3845
Frequency	2GHz (J1900), 1.83GHz (N2930), 1.91GHz (E3845)
Core Number	4C
BIOS	AMI 32Mbit SPI Flash BIOS
Chipset	SOC
Fanless	Yes
Memory	
Technology	DDR3L 1333MHz
Max. Capacity	8 GB
Socket	1x 204-pin SODIMM
Graphic	
Controller	Intel® HD Graphics
VGA	1x VGA, 1600 x 1200
DVI	-
HDMI	1x HDMI, 1920 x 1080
Audio	
Codec	VIA VT1718S HD
Interface	2x Phone Jack for MIC-in and Line-out
Ethernet	
Controller	Intel® i210 x 2
Speed	10/100/1000 Mbps
Interface	2x RJ45
Storage	
Type	PATA
Installation	1x CF Type III Socket
Type	SATA II
Installation	1x 2.5" or 3.5" HDD/SSD Drive Bay
I/O	
Serial Port	2x RS-232/422/485, DB9 Male
Digital I/O	2x DI, 2 x DO with +5V TTL
USB 2.0	2x Type A
USB 3.0	1x Type A

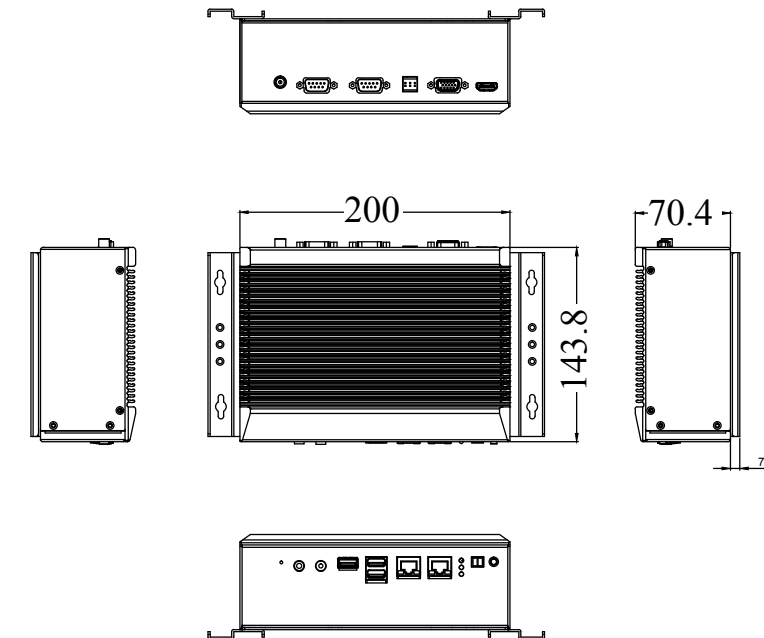
Power-On/Reset Button	1x Power On/Off, 1x Reset
Remote Power Switch	Yes
LED	Power/Storage Access/3G
Antenna Hole	2 x SMA Antenna Holes
Expansion Interface	
Mini-PCIe	1 x Full-sized Socket with SIM Card Reader
PCI	-
PCI Express x1	-
PCI Express x4	-
Watchdog Timer	
Watchdog Timer	1~255 Level Time Interval System Reset, Software Programmable
Power	
Power Type	ATX
Power Supply Voltage	+12 Vdc
Connector	DC Jack with Lock
Power Consumption (Idle)	TBD
Power Consumption (Full Load)	TBD
Power Adaptor	AC to DC AC 90 to 240 V _{ac} Input DC 12V/5A 60W
Environment	
Operating Temperature	J1900/N2930 0°C~55°C (with Industrial-grade Components) E3845 -20°C~55°C (with Industrial-grade Components)
Storage Temperature	-20°C~70°C
Relative Humidity	5%~95% (Non-condensing)
Vibration	IEC 60068-2-64, 0.5Grms, random 5 ~500 Hz, 40 mins/axis
Mechanical	
Dimension (W x H x D)	200 x 70.4 x 143.8 mm (7.87" x 2.77" x 5.66")
Construction	Aluminum
Weight	1.3Kg
Mounting	VESA, Wallmount
Driver Support	
Microsoft Windows	Win7E, WES7, Win8.S
Linux	Kernal 3.12
Certification	
EMC	CE/FCC, Class A

Product I/O View



- | | | | | |
|-------------------|---------------------|------------------------|---------------|-----------------|
| A Reset | D USB 3.0 | G Status LEDs | J HDMI | M COM x2 |
| B Mic_in | E USB 2.0 x2 | H Remote On/Off | K VGA | N DC_in |
| C Line_out | F LAN x2 | I Power On/Off | L DIO | |

Dimensions (W x H x D) 200 x 70.4 x 143.8 mm (7.87" x 2.77" x 5.66")



Ordering Information

LEC-7331-J11A	Fanless Industrial PC with Intel® Celeron® J1900 (2 GHz) CPU
LEC-7331-N11A	Fanless Industrial PC with Intel® Celeron® N2930 (1.83 GHz) CPU
LEC-7331-E51A	Fanless Industrial PC with Intel® Atom™ E3845 (1.91 GHz) CPU

Standard Accessories

080W1N0002001	SATA SSD/HDD Cable with Power
0P0W060120001	AC Power Adapter 60 W 12V/5A, DC Jack with Lock

V.1-2016.01.18

Lanner

© Lanner Electronics Inc. All rights reserved.
All product specifications are subject to change without notice.
connect@lannerinc.com | www.lannerinc.com