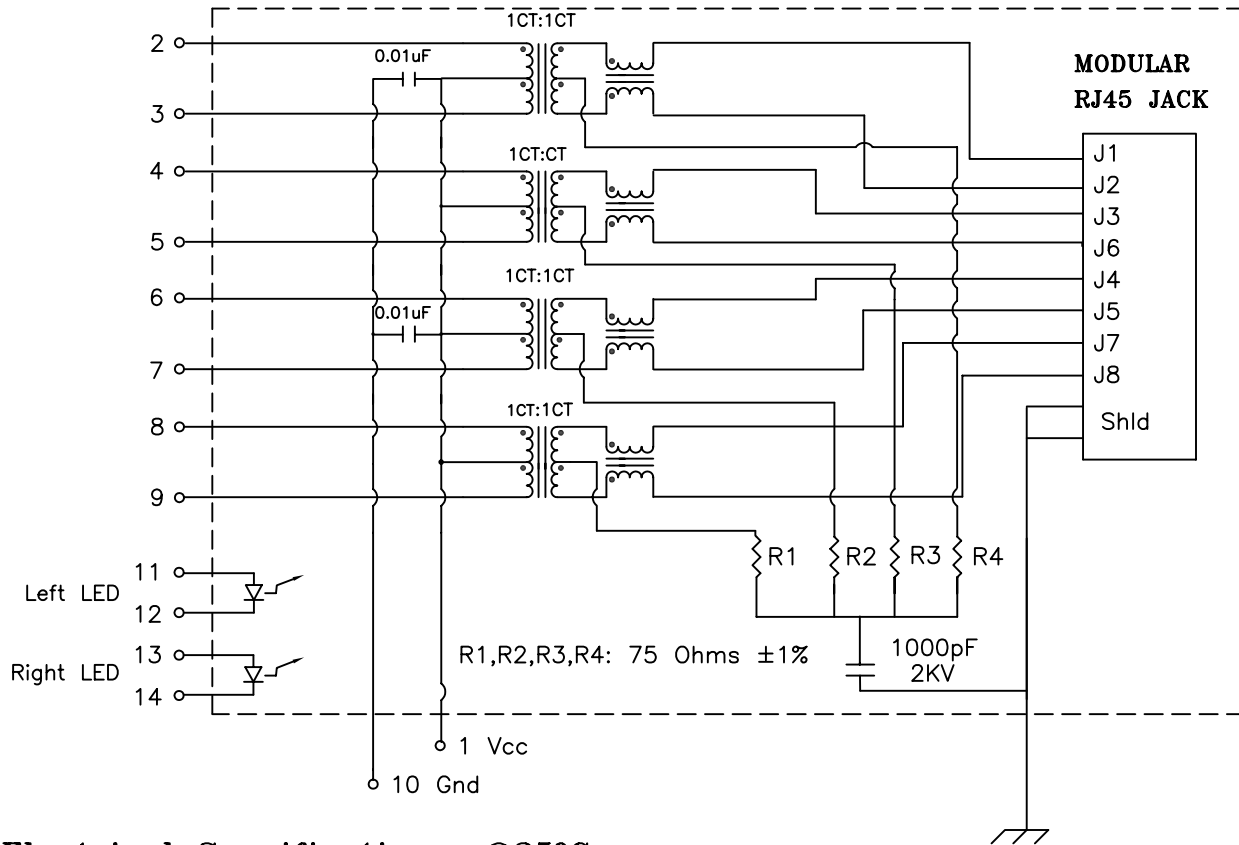


Schematic: (Single Port)



Electrical Specifications: @25°C

- ISOLATION: 1500Vrms (See Notes)
- URNS RATIO: (PRI/SEC) 1CT:1CT ±3%
- OCL: 350uH MIN @100KHz 100mV 8mADC
- Rise Time: 1.75ns Max.
- INSERTION LOSS: -1.0dB MAX @1MHz-100MHz
-1.5dB MAX @100-125MHz
- RETURN LOSS: -18dB Min @1-30MHz
-15dB Min @40MHz -13.1dB Min @50MHz
-12dB Min @60-80MHz -10dB Min @100MHz
- Differential to Common Mode Rejection:
-43dB Min @30MHz -37dB Min @80MHz
-33dB Min @100MHz
- CMRR: -30dB Min @1-100MHz
- Crosstalk: -45dB Min @30MHz
-40dB Min @60MHz -35dB Min @100MHz
- Q: 18 Min @100KHz 100mV

Notes:

1. Solderability: Leads shall meet MIL-STD-202G, Method 208H for solderability.
2. Flammability: UL94V-0
3. ASTM oxygen index: > 28%
4. UL Recognized Component: File Number E200238
5. Operating Temperature Range: All listed parameters are to be within tolerance from -40°C to +85°C
6. Storage Temperature Range: -55°C to +125°C
7. Aqueous wash compatible
8. Electrical and mechanical specifications 100% tested
9. RoHS Compliant Component

Complete the Combo P/N as follows:

Replace 'x' & 'u' in the part number with one of the LED color letters:
 Y=Yellow
 G=Green
 A=Amber
 R=Red
 C=Green(1)/Amber(2) Bicolor
 D=Amber(1)/Green(2) Bicolor
 M=Green(1)/Yellow(2) Bicolor
 N=Yellow(1)/Green(2) Bicolor
 P=Red(1)/Green(2) Bicolor
 Q=Green(1)/Red(2) Bicolor
 E=Red(1)/Yellow(2) Bicolor
 F=Yellow(1)/Red(2) Bicolor
 H=Amber(1)/Yellow(2) Bicolor

'x' = Left LED Color
 'u' = Right LED Color

Single Color LED:

Bi-Color LED:

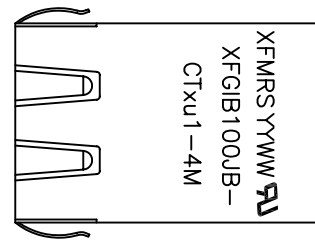
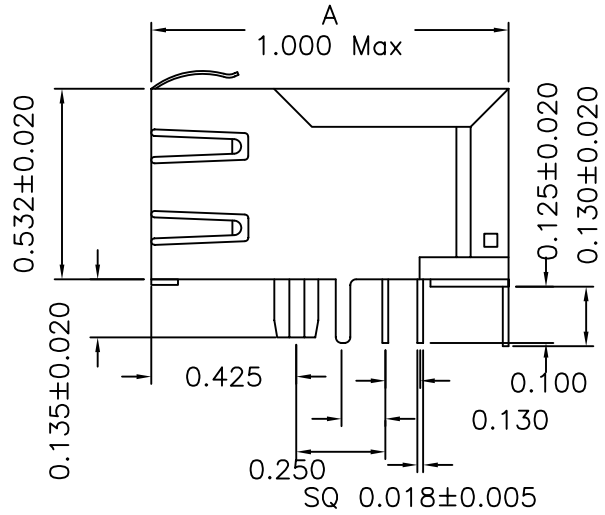
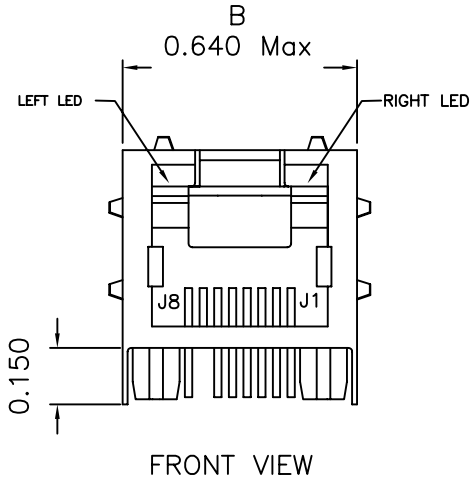
DOC REV: A/2

XFMRs Inc www.XFMRs.com	Title: SINGLE PORT COMBO		
	UNLESS OTHERWISE SPECIFIED TOLERANCES:	P/N: XFGIB100JB-CTxu1-4M	REV. A
	.xxx ±0.010	DWN.	Feng
	Dimensions in Inch	CHK.	YK Liao
SHEET 1 OF 2	APP.	BW	Mar-03-11

PROPRIETARY:

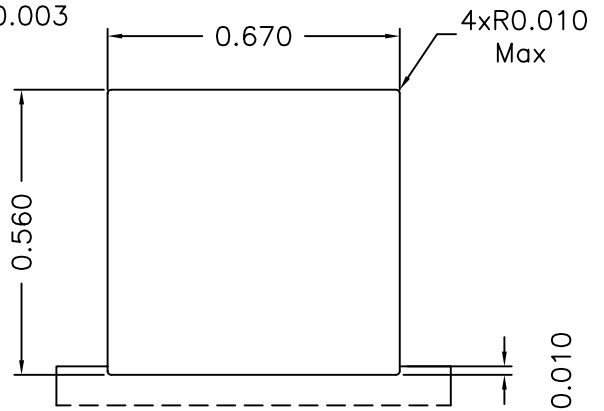
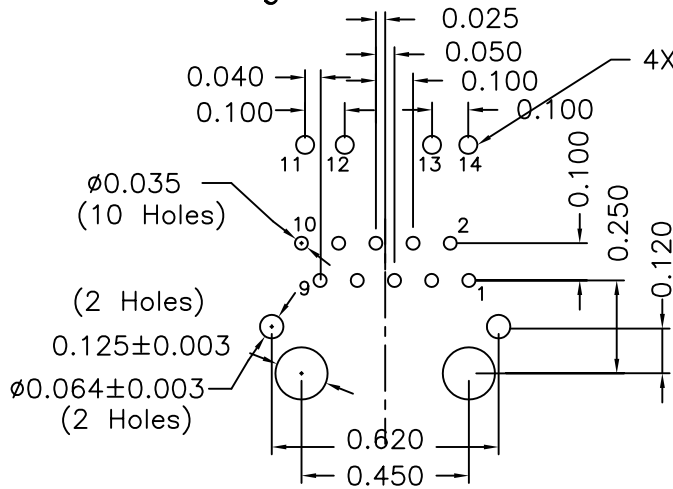
Document is the property of XFMRs Group & is not allowed to be duplicated without authorization.

Mechanical Dimensions:



TOP VIEW

Mounting Pattern:



FACE VIEW

RECOMMENDED PANEL CUTOUT

DOC. REV A/2

XFMRS Inc.
www.XFMRS.com

Title: Mechanical Dimensions
For TAB UB RJ45 COMBO

UNLESS OTHERWISE SPECIFIED

P/N:XFGIB100JB-CTxu1-4M

REV. A

TOLERANCES:

DWN.

Feng

Mar-03-11

.xxx ±0.010
Dimensions in Inch

CHK.

YK Liao

Mar-03-11

SHEET 2 OF 2

APP.

BW

Mar-03-11

PROPRIETARY:

Document is the property of XFMRS Group & is not allowed to be duplicated without authorization.