

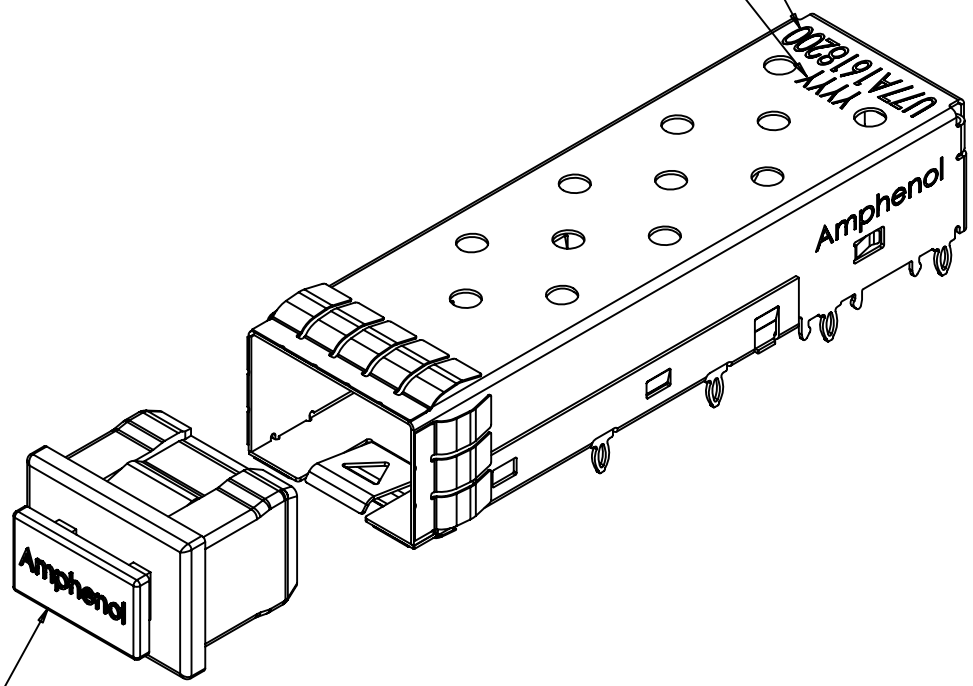
REVISIONS				
SYM	ZONE	ECN, ERN NO.	DATE	APPRD.
B		UPDATED	JAN10/08	
C		NEW PART NUMBER	JAN28/08	
D		UPDATED	JUN18/08	

THIS IS A CAD DRAWING. DO NOT MANUALLY REVISE.

MATERIAL (RoHS COMPLIANCE):
 CAGE:
 COPPER ALLOY
 PLATING OPTION
 100µ" [2.54 µm] MIN. NICKEL
 PLATING.
 DUST COVER
 THERMOPLASTIC, COLOR BLACK.
 PACKAGING:
 TAPE AND REEL OR TRAY PACKAGING.
 TEMPERATURE RANGE:
 -40°C TO +85°C

PART NUMBER
 (P/N DOES NOT
 INCLUDE PACKAGING TYPE
 AND DUST COVER OPTION)

DATE CODE



OPTIONAL DUST COVER
 (SHIPPED LOOSE)
 P/N U77-1140-8020P

AMPHENOL PART NUMBER CONFIGURATION

U77 - A 1 6 1 8 - 2 X 0 X

- PACKAGING
- 1 = TRAY PACKAGING
- T = TAPE & REEL PACKAGING
- OPTIONAL DUST COVER
- 0 = NO DUST COVER
- D = WITH DUST COVER (SHIP LOOSE)



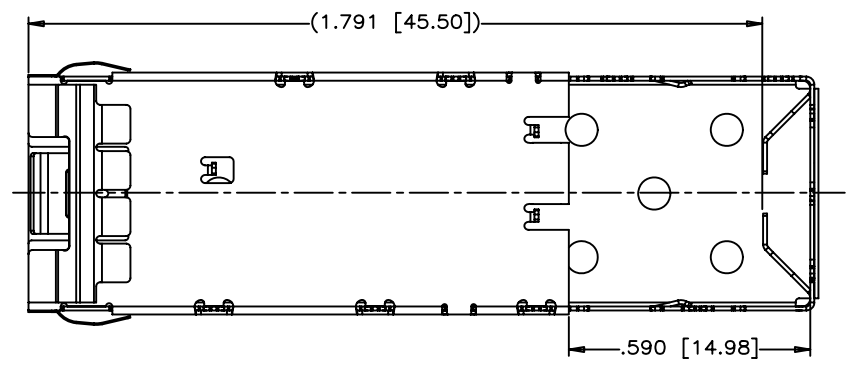
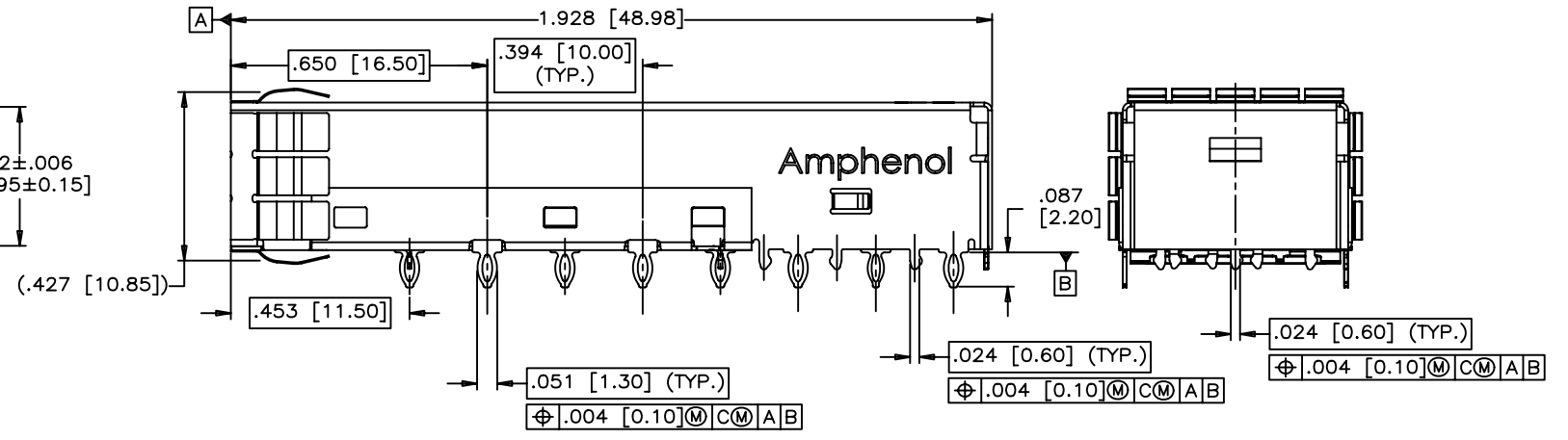
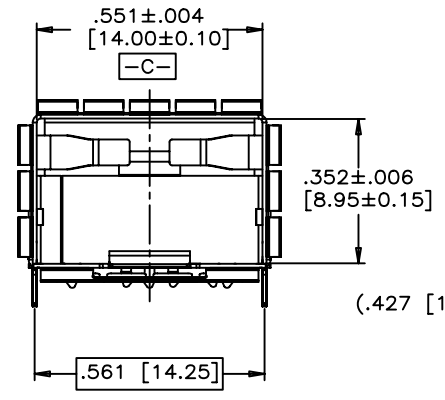
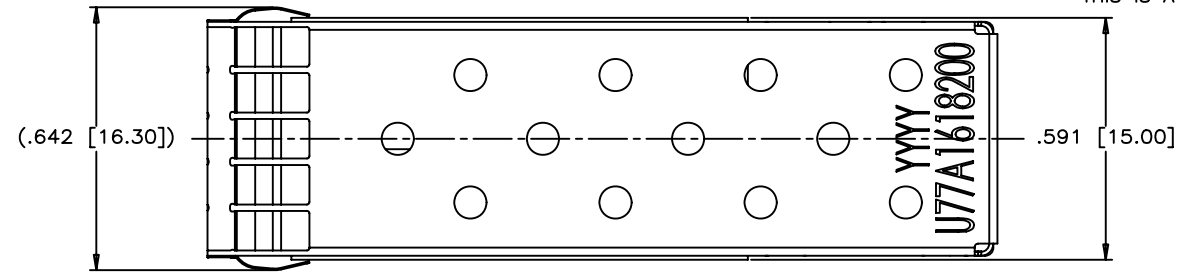
DRAWN	J.SI	DATE	2007/03/30
DESIGNED	J.SI	DATE	2007/03/30
CHECKED	X		X
DWG. APPRD.			
ENG. REL. NO.			
REF.	X		
DIMENSIONS ARE IN	CODE ID. NO.		
INCHES (mm)	03554		

Amphenol Canada Corp.		
TITLE		
SFP+ 1X1 CAGE WITH 8 PRESS FIT / 12 EMI PINS		
DWG	DRAWING NO.	REV.
A	P-U77-A1618-2X0X	D
SCALE	WT.	SURF.
2:1		
SHEET 1 OF 5		

THIS DOCUMENT CONTAINS PROPRIETARY INFORMATION AND SUCH INFORMATION
 MAY NOT BE DISCLOSED TO OTHERS FOR ANY PURPOSE OR USED FOR MANUFACTURING
 PURPOSES WITHOUT WRITTEN PERMISSION FROM AMPHENOL CANADA CORP.

REVISIONS				
SYM	ZONE	ECN, ERN NO.	DATE	APPRD.
B		UPDATED	JAN10/08	
C		NEW PART NUMBER	JAN28/08	
D		UPDATED	JUN18/08	

THIS IS A CAD DRAWING. DO NOT MANUALLY REVISE.



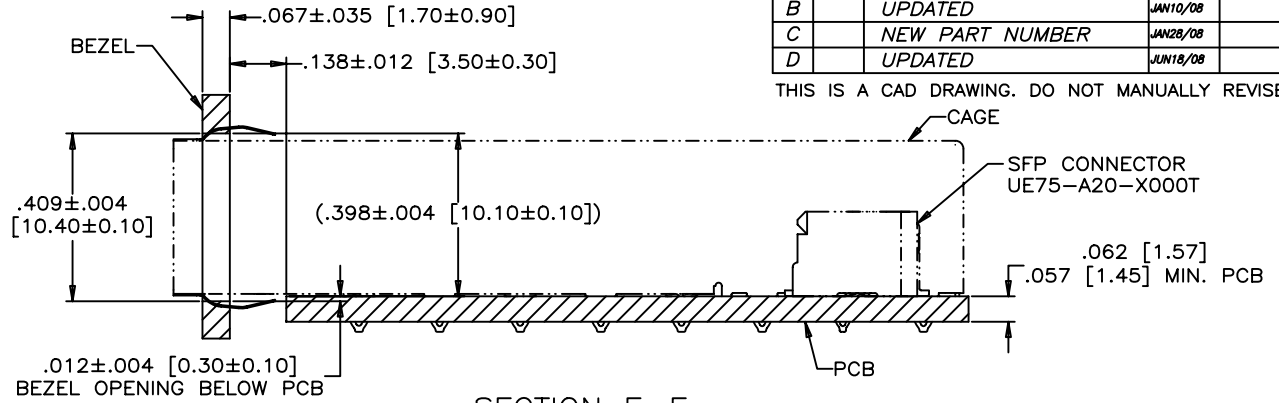
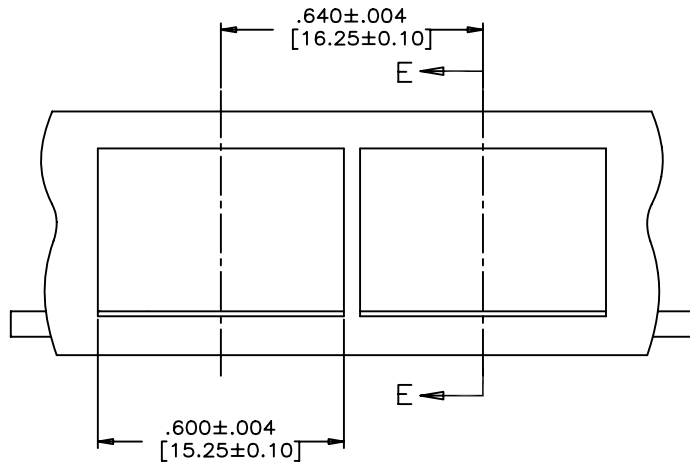
DRAWN	J.SI	DATE	2007/03/30
DESIGNED	J.SI	DATE	2007/03/30
CHECKED	X		
DWG. APPRD.			
ENG. REL. NO.			
REF.	X		
DIMENSIONS ARE IN	CODE ID. NO.		
INCHES (mm)	03554		

Amphenol Canada Corp.		
TITLE		
SFP+ 1X1 CAGE WITH 8 PRESS FIT / 12 EMI PINS		
DWG	DRAWING NO.	REV.
A	P-U77-A1618-2X0X	D
SCALE	WT.	SURF.
2:1		
SHEET 2 OF 5		

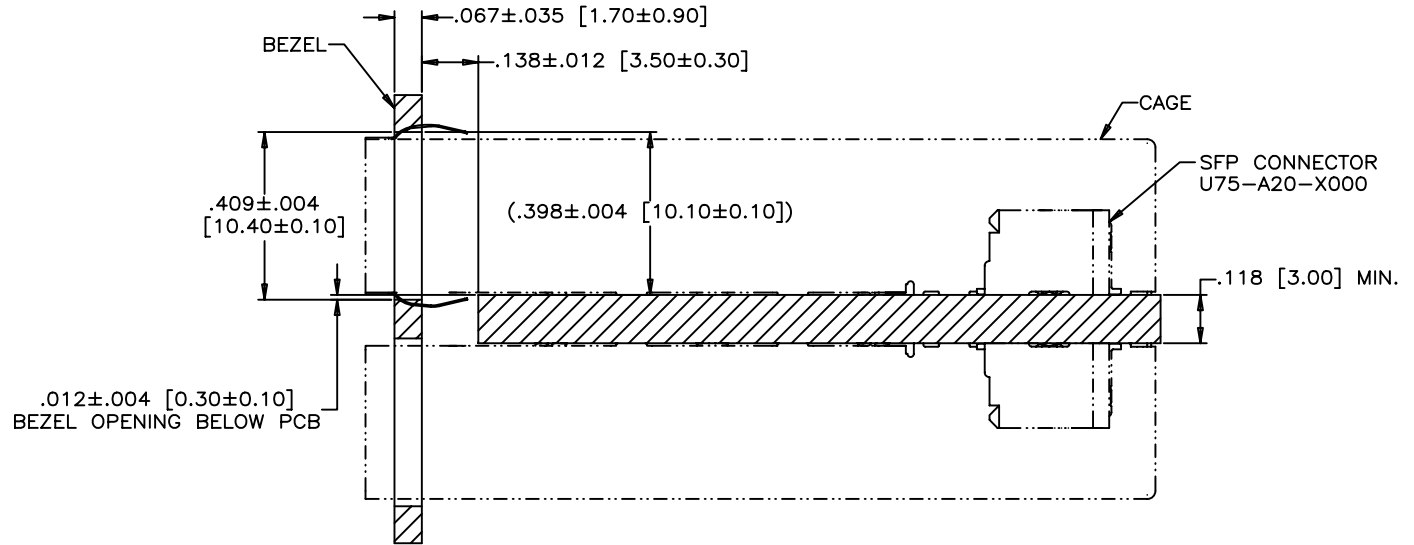
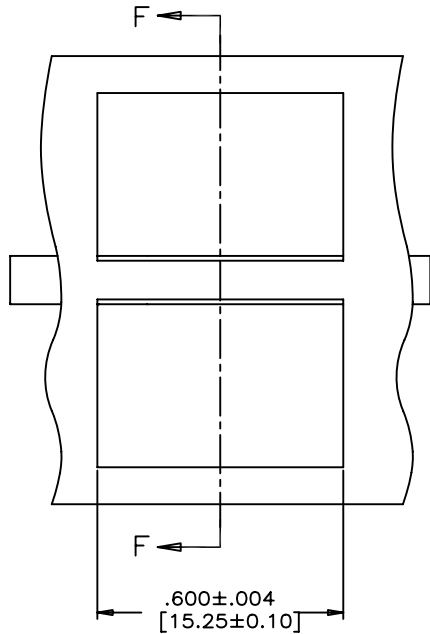
THIS DOCUMENT CONTAINS PROPRIETARY INFORMATION AND SUCH INFORMATION MAY NOT BE DISCLOSED TO OTHERS FOR ANY PURPOSE OR USED FOR MANUFACTURING PURPOSES WITHOUT WRITTEN PERMISSION FROM AMPHENOL CANADA CORP.

REVISIONS				
SYM	ZONE	ECN, ERN NO.	DATE	APPRD.
B		UPDATED	JAN10/08	
C		NEW PART NUMBER	JAN28/08	
D		UPDATED	JUN18/08	

THIS IS A CAD DRAWING. DO NOT MANUALLY REVISE.



RECOMMENDED BEZEL DESIGN
(ONE SIDE CAGE MOUNTING)



RECOMMENDED BEZEL DESIGN
(BELLY TO BELLY CAGE MOUNTING)

DRAWN	J.SI	DATE	2007/03/30
DESIGNED	J.SI	DATE	2007/03/30
CHECKED	X		
DWG. APPRD.			
ENG. REL. NO.			
REF.	X		
DIMENSIONS ARE IN	CODE ID. NO.		
INCHES (mm)	03554		

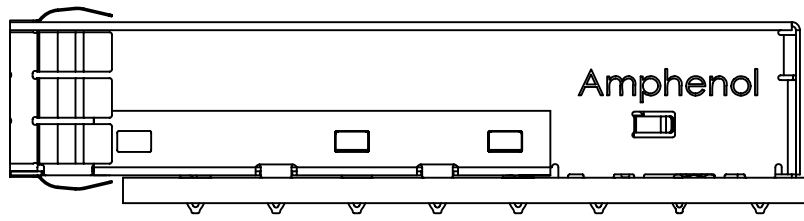
Amphenol Canada Corp.

TITLE
SFP+ 1X1 CAGE
WITH 8 PRESS FIT / 12 EMI PINS

DWG	DRAWING NO.	REV.
A	P-U77-A1618-2X0X	D
SCALE	2:1	WT. _____ SURF. _____ SHEET 3 OF 5

THIS DOCUMENT CONTAINS PROPRIETARY INFORMATION AND SUCH INFORMATION MAY NOT BE DISCLOSED TO OTHERS FOR ANY PURPOSE OR USED FOR MANUFACTURING PURPOSES WITHOUT WRITTEN PERMISSION FROM AMPHENOL CANADA CORP.

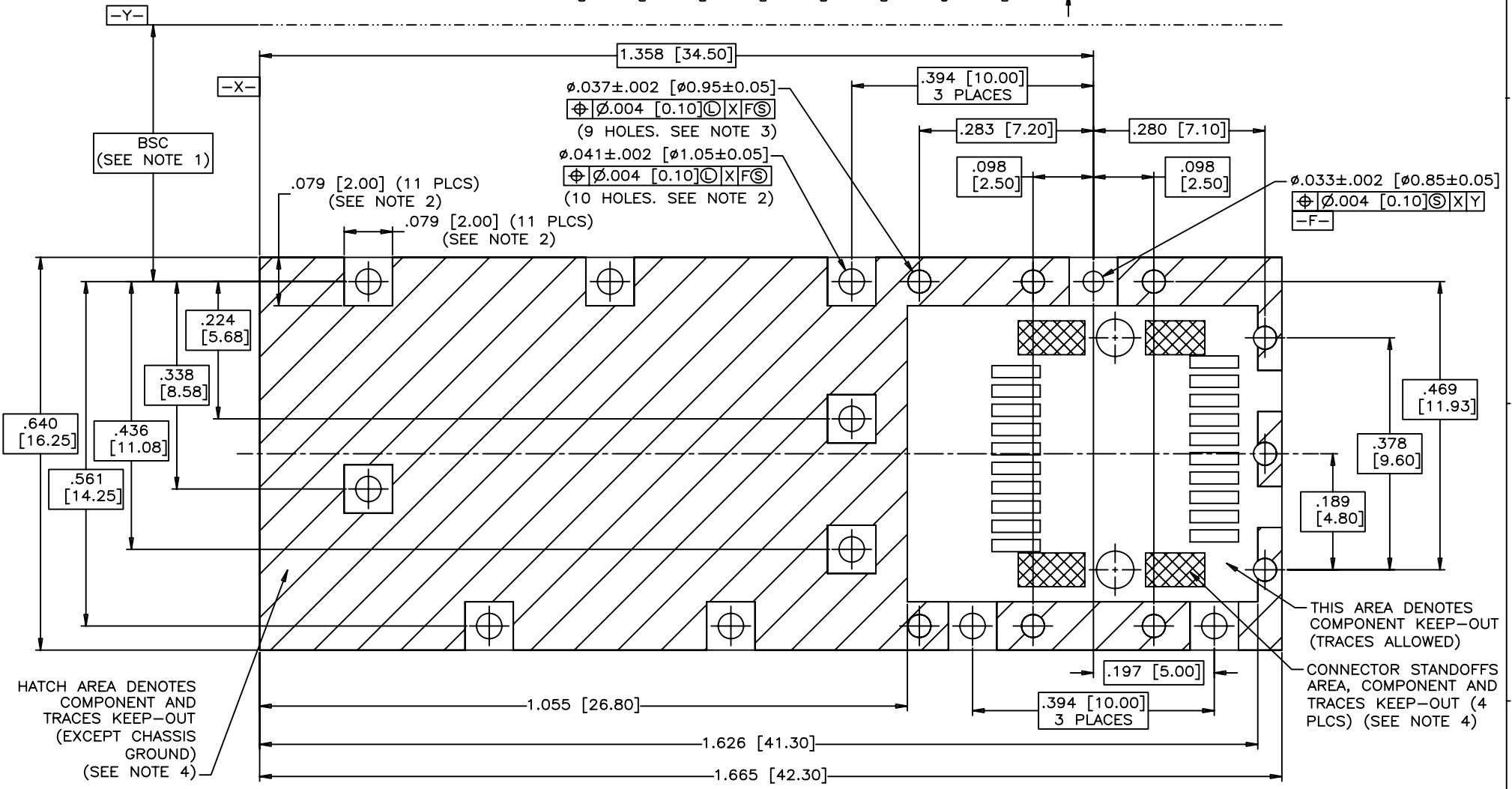
- NOTES:
 1. DATUM AND BASIC DIMENSIONS ESTABLISHED BY CUSTOMER
 2. PADS AND VIAS ARE CHASSIS GROUND, 11 PLACES.
 3. THRU HOLES, PLATING OPTIONAL.
 4. SEE DRAWINGS P-U75-A20-X000X FOR CONNECTOR PCB LAYOUT.



REVISIONS				
SYM	ZONE	ECN, ERN NO.	DATE	APPRD.
B		UPDATED	JAN10/08	
C		NEW PART NUMBER	JAN28/08	
D		UPDATED	JUN18/08	

THIS IS A CAD DRAWING. DO NOT MANUALLY REVISE.

.062 [1.57]
 .057 [1.45] MIN. PCB



HATCH AREA DENOTES COMPONENT AND TRACES KEEP-OUT (EXCEPT CHASSIS GROUND) (SEE NOTE 4)

THIS AREA DENOTES COMPONENT KEEP-OUT (TRACES ALLOWED)

CONNECTOR STANDOFFS AREA, COMPONENT AND TRACES KEEP-OUT (4 PLCS) (SEE NOTE 4)

RECOMMENDED SFP HOST BOARD LAYOUT
 (ONE SIDE CAGE MOUNTING)
 (SCALE 4:1)

DRAWN	J.SI	DATE	2007/03/30
DESIGNED	J.SI	DATE	2007/03/30
CHECKED	X		
DWG. APPRD.			
ENG. REL. NO.			
REF.	X		
DIMENSIONS ARE IN	CODE ID. NO.		
INCHES (mm)	03554		

Amphenol Canada Corp.

TITLE
 SFP+ 1X1 CAGE
 WITH 8 PRESS FIT / 12 EMI PINS

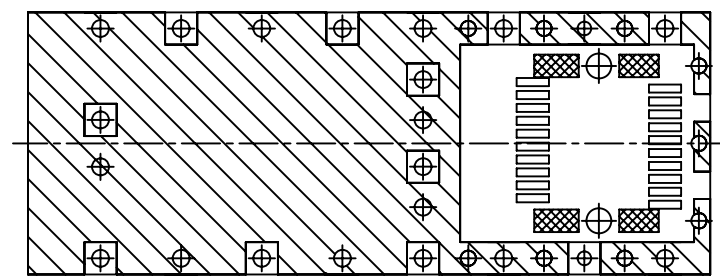
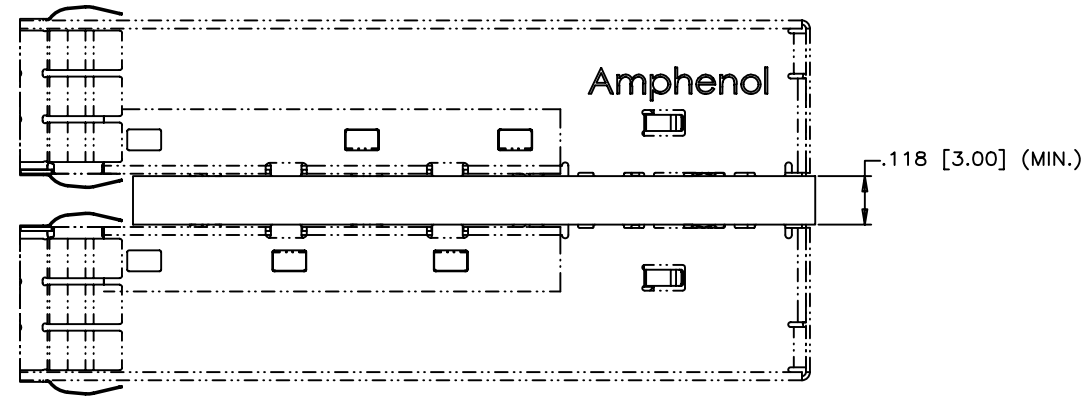
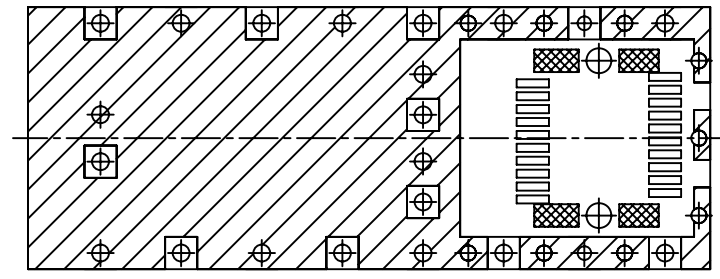
DWG	DRAWING NO.	REV.
A	P-U77-A1618-2X0X	D

SCALE 2:1 WT. _____ SURF. _____ SHEET 4 OF 5

THIS DOCUMENT CONTAINS PROPRIETARY INFORMATION AND SUCH INFORMATION MAY NOT BE DISCLOSED TO OTHERS FOR ANY PURPOSE OR USED FOR MANUFACTURING PURPOSES WITHOUT WRITTEN PERMISSION FROM AMPHENOL CANADA CORP.

REVISIONS				
SYM	ZONE	ECN, ERN NO.	DATE	APPRD.
B		UPDATED	JAN10/08	
C		NEW PART NUMBER	JAN28/08	
D		UPDATED	JUN18/08	

THIS IS A CAD DRAWING. DO NOT MANUALLY REVISE.



RECOMMENDED SFP HOST BOARD LAYOUT
(BELLY TO BELLY CAGE MOUNTING)

THIS DOCUMENT CONTAINS PROPRIETARY INFORMATION AND SUCH INFORMATION MAY NOT BE DISCLOSED TO OTHERS FOR ANY PURPOSE OR USED FOR MANUFACTURING PURPOSES WITHOUT WRITTEN PERMISSION FROM AMPHENOL CANADA CORP.

DRAWN	J.SI	DATE	2007/03/30	Amphenol Canada Corp. TITLE SFP+ 1X1 CAGE WITH 8 PRESS FIT / 12 EMI PINS							
DESIGNED	J.SI	DATE	2007/03/30								
CHECKED	X		X								
DWG. APPRD.				DWG. DRAWING NO. A P-U77-A1618-2X0X							
ENG. REL. NO.					REV. D						
REF.	X			SCALE	2:1	WT.		SURF.		SHEET	5 OF 5
DIMENSIONS ARE IN		CODE ID. NO.	03554								
INCHES (mm)											