

*New Jersey Semi-Conductor Products, Inc.*

20 STERN AVE.  
 SPRINGFIELD, NEW JERSEY 07081  
 U.S.A.

TELEPHONE: (201) 376-2922  
 (212) 227-6005  
 FAX: (201) 376-8960

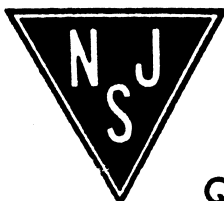
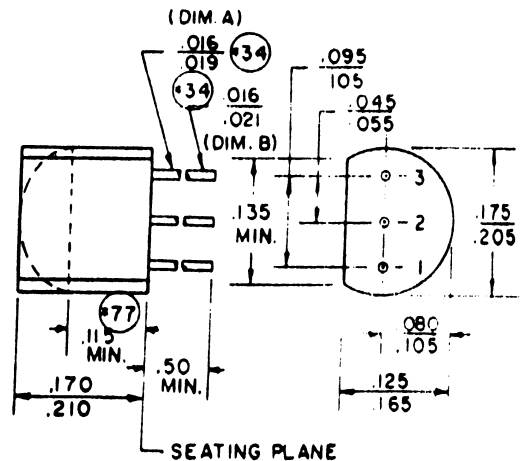
PARAMETERS

2N5356  
 SI PNP LP HF BJT

Description: Si PNP LP HF BJT

Manufacturer.....	
Mil/High-Rel? (Y/N).....	
Vbr CEO.....	25
Trans. Freq (Hz) Min.....	250M
hfe.....	
@VCE (test) (V).....	
@Ic (A).....	
Ic Max. (A).....	500m
C(ob) (F).....	8.0p
Icbo Max. @Vcb Max. (A).....	100n
t(on) Delay (S).....	10n
Tr Max. (s).....	20n
t(stor) Max. (S).....	100n
t(f) Max. (S).....	45n
Max. PD (W).....	620m
Derate (Amb) (W/xC).....	2.8m
Vbr CBO.....	25
Oper. Temp (xC) Max.....	150u
@ Temp (derating) test xC....	
Oper. Temp (xC) Min.....	
Pkg Style.....	TO-92
Surface Mounted (Y/N).....	N
Pinout Equivalence Number.....	3-12

u Junction Temperature 2 It(rms)



Quality Semi-Conductors