

4802, Plug, solder terminal, insulated, 3.5 mm, 3-pole, straight, UK-Connector



See below:

[Approvals and Compliances](#)

Description

- Solder terminal :
for cable mounting
- Data and Signal transfer
- Data and Signal Connectors 3-pole , insulated , straight

Characteristics

- Does not comply with the JAP or BPO standard

References

Alternative: Housing shielded [4802.1300](#)

Technical Data

Diameter	3.5 mm	Allowable Operation Temperature	-20°C to 70°C
Number of Poles	3-pole	Terminal	solder terminal
Ratings DC	1 A / 12VDC	Housings	insulated
Ratings AC	1 A / 12VAC	Style	straight
Dielectric Strength	500VDC	Lifetime	10000 Insertions
Insulation Resistance	> 10000 MΩ @ 500VDC		

Approvals and Compliances

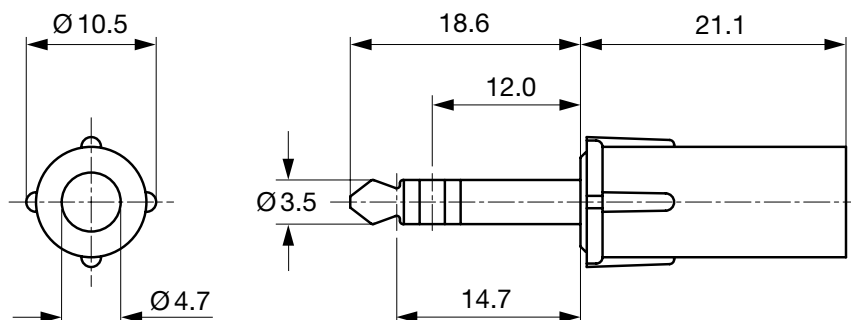
Detailed information on product approvals, code requirements, usage instructions and detailed test conditions can be looked up in [Details about Approvals](#)

Compliances

The product complies with following Guide Lines

Identification	Details	Initiator	Description
	RoHS	SCHURTER AG	EU Directive RoHS 2011/65/EU
	China RoHS	SCHURTER AG	The law SJ / T 11363-2006 (China RoHS) has been in force since 1 March 2007. It is similar to the EU directive RoHS.
	REACH	SCHURTER AG	On 1 June 2007, Regulation (EC) No 1907/2006 on the Registration, Evaluation, Authorization and Restriction of Chemicals 1 (abbreviated as "REACH") entered into force.

Dimensions [mm]



All Variants

Product group	Diameter [mm]	Number of Poles	Terminal	Order Number
Data and Signal Plug/Sockets	3.5	3-pole	solder terminal	4802.1310

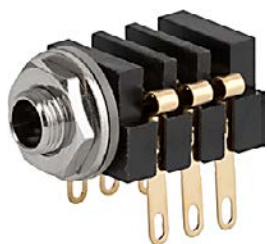
Most Popular.

Availability for all products can be searched real-time: <https://www.schurter.com/en/Stock-Check/Stock-Check-SCHURTER>

Packaging unit 100 Pcs

Mating Outlets/Connectors

Category / Description



[Data and Signal Plug/Socket Overview complete](#)

4802, Socket, solder terminal, screened, 3.5 mm, 3-pole, straight, UK-Connector	4802.2300
4802, Socket, solder terminal, insulated, 3.5 mm, 3-pole, straight, UK-Connector	4802.2310
4802, Socket, PCB terminals, screened, 3.5 mm, 3-pole, straight, UK-Connector	4802.2320
4802, Socket, PCB terminals, insulated, 3.5 mm, 3-pole, straight, UK-Connector	4802.2330

[Data and Signal Plug/Socket further types to 4802.1310](#)