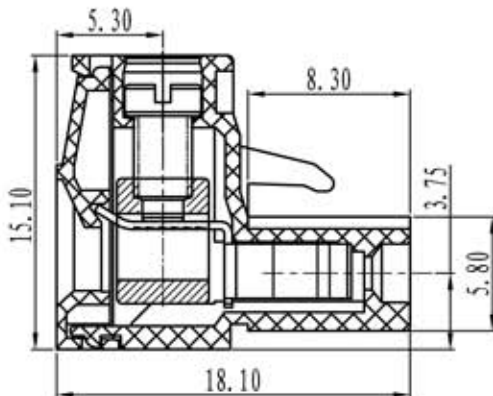
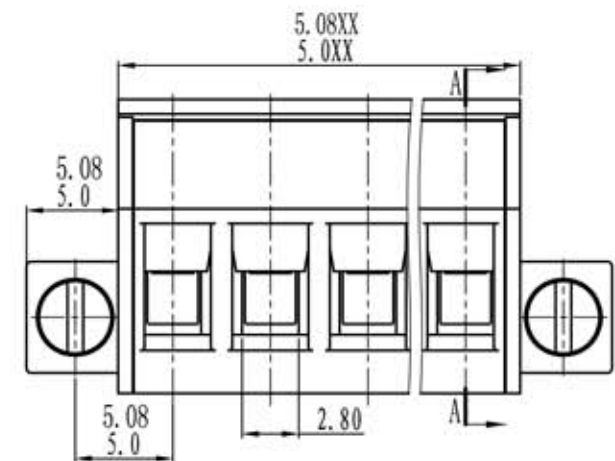
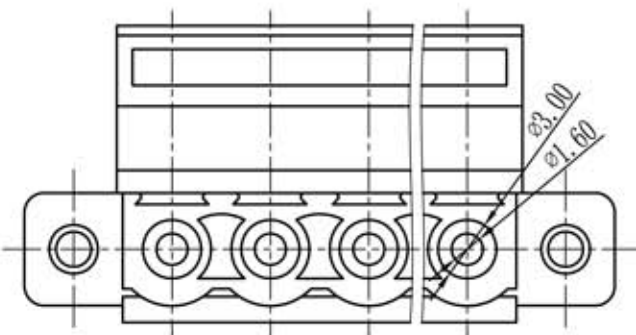


euro-block

product specification



SECTION A-A



Electrical		
Standard	UL	IEC
Rated voltage	300V	320V
Rated current	15A	20A
Contact resistance	20mΩ	
Insulation resistance	500MΩ/DC500V	
Withstanding voltage	AC2000V/1 Min	
Wire range	28-14 AWG 2.5sqmm	

Mechanical		
Torque	0,5Nm (4,5Lbin)	
Temp. Range	-40°C + 105°C	
Stripping lenght:	7-8 mm	

Dimensions		
Pitch	5 - 5.08 mm	
Poles	2+24	

Material		
Housing	PA66, UL94V0	
Clamp	Phosphore Bronze, Nikel plated	
Wire guard	Brass Nikel plated	
Screws	M3 Steel Zinc plated	

TOLERANCES EXCEPT AS NOTED

Versione/Version	Data/Date
2013-1	14/05/2013

General description of ordering code

Series	n. poles	pitch	version	color	custom

	linear dimension					fillet	chamfer	short angle sid			≡	-	□	//	⊥		
	over 6 to 6	over 30 to 30	over 120 to 120	over 480 to 480	over 480 to 480			over 6 to 6	over 10 to 10	over 50 to 50						over 120 to 120	
variable range	to 6	to 30	to 120	to 480	to 480	all	to 6	to 10	to 50	to 120	all	to 5	to 30	to 120	to 120		
tolerance	±0.1	±0.2	±0.3	±0.5	±0.9	±0.2	±0.5	±1	1'	30'	20'	10'	0.5	0.025	0.06	0.12	0.4

UNITS	mm	SIZE	A4	SCALE	FIRST ANGLE PROJECTION
euro-block					
					CRF-5/5.08-F