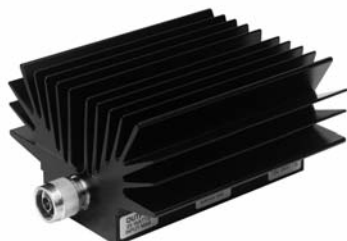


Terminations & Loads

Model 1432 High Power, N or SMK Connectors Convection / Conduction Cooled

dc to 10 GHz
 150 Watts



Features

- Flexible Mounting Position - The units may be mounted in horizontal (fins up) or vertical position.
- Rugged Construction - Quality connector with special high temperature support bead.

Specifications

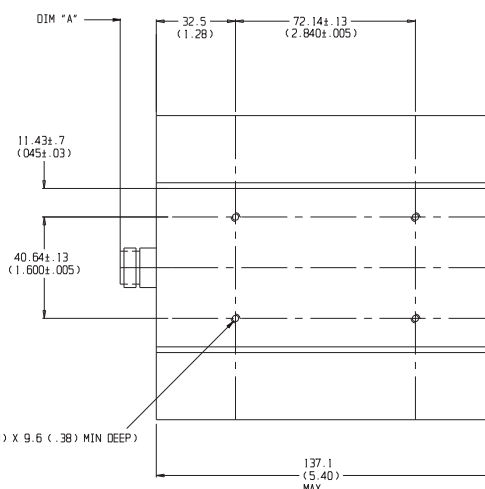
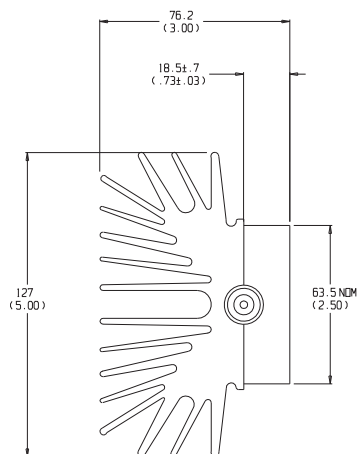
NOMINAL IMPEDANCE: 50 Ω

FREQUENCY RANGE: dc to 10 GHz

MAXIMUM SWR:	
Frequency (GHz)	SWR
dc - 4	1.20
4 - 10	1.30

INTERMODULATION (Model 1432-X-LIM Only): IM3 (Reflected) = -100 dBc with two input signals @ 869 MHz and 891 MHz with an average power of +43 dBm each.

PHYSICAL DIMENSIONS:



Model #	DIM A	Connector Type
1432-1	12.7 (0.50)	2.92mm female
1432-2	14.0 (0.55)	2.92mm male
1432-3	15.0 (0.59)	N female
1432-4	22.9 (0.90)	N male

POWER RATING: 150 watts average (mounted horizontally or vertically assuming unobstructed air flow and natural convection around unit) to 25°C ambient temperature, derated linearly to 15 watts @ 125°C. 5 kilowatts peak (5 μsec pulse width; 1.5% duty cycle).

TEMPERATURE RANGE: -55°C to +125°C

TEST DATA: Swept data plots of SWR from 50 MHz to 10 GHz is available at additional cost.

CONNECTOR: Type N connector per MIL-STD-348 interface dimensions - mate nondestructively with MIL-C-39012 connector. Choice of male (-4) or female (-3) connector.

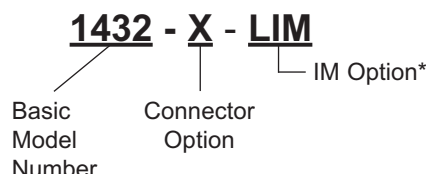
SMK (2.92mm) connector mates nondestructively with SMA per MIL-C-39012, 3.5mm and other 2.92mm (SMK) connector. Choice of male (-2) or female connector (-1).

CONSTRUCTION: Black, finned aluminum body, stainless steel connector; gold plated beryllium copper female contacts and stainless steel male contacts.

WEIGHT: 1,450 g (3 lbs., 3 oz.)

MODEL NUMBER DESCRIPTION:

Example:



* Add -LIM to entire model number for Low Intermodulation option.

NOTE: All dimensions are given in mm (inches) and are maximum, unless otherwise specified.