

Han-Eco 16B Outd-HSM2-w. DL-M40-glanded

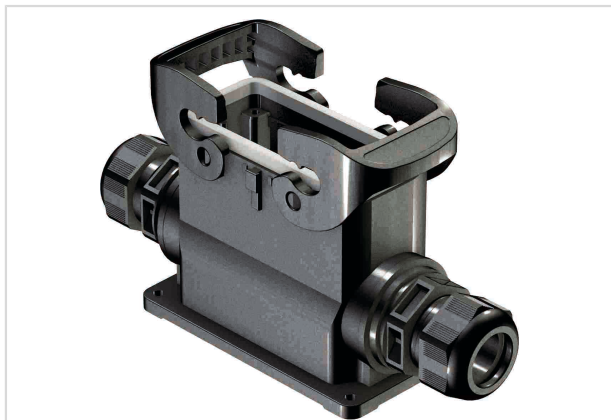


Image is for illustration purposes only. Please refer to product description.

Part number	19 43 316 0273
Specification	Han-Eco 16B Outd-HSM2-w. DL-M40-glanded
HARTING eCatalogue	https://b2b.harting.com/19433160273

Identification

Category	Hoods/Housings
Series of hoods/housings	Han-Eco® B
Type of hood/housing	Surface mounted housing
Description of hood/housing	With integrated cable gland

Version

Size	16 B
Version	Side entry
Cable entry	2x M40
Locking type	Double locking lever

Technical characteristics

Limiting temperature	-40 ... +125 °C
Number of relockings	≥500
Degree of protection acc. to IEC 60529	IP66
Clamping range	16 ... 28 mm

Material properties

Material (hood/housing)	Polyamide (PA) Fibre-glass reinforced
Colour (hood/housing)	RAL 9005 (jet black)
Material (seal)	FPM
Colour (seal)	RAL 7001 (silver-grey)



Pushing Performance

Material properties

Material (locking)	Polyamide (PA) Fibre-glass reinforced
Colour (locking)	RAL 9005 (jet black)
Material flammability class acc. to UL 94	V-0
Material flammability class acc. to UL 94 (locking levers)	V-0
RoHS	compliant with exemption
RoHS exemptions	6(c): Copper alloy containing up to 4 % lead by weight
ELV status	compliant with exemption
China RoHS	50
REACH Annex XVII substances	No
REACH ANNEX XIV substances	No
REACH SVHC substances	Yes
REACH SVHC substances	Lead
California Proposition 65 substances	Yes
California Proposition 65 substances	Lead

Specifications and approvals

Specifications	IEC 61984 EN 45545-2 R22: HL1, HL2, HL3 EN 45545-2 R23: HL1, HL2, HL3 EN 45545-2 R24: HL1, HL2, HL3
CE	Yes

Commercial data

Packaging size	1
Net weight	416.33 g
Country of origin	Germany
European customs tariff number	85389099
eCl@ss	27440202 Shell for industrial connectors