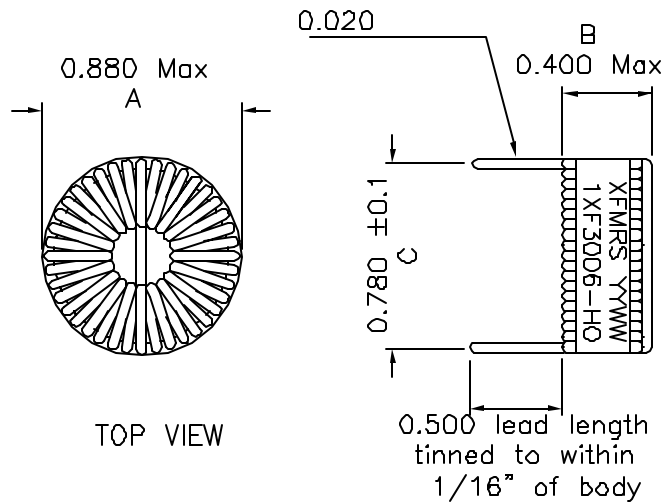


1. Mechanical Dimensions:



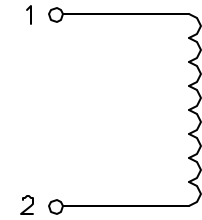
TOP VIEW

Notes:

1. Solderability: Leads shall meet MIL-STD-202, Method 208D for solderability.
2. Flammability: UL94V-0
3. ASTM oxygen index: > 28%
4. Insulation System: Class F 155°C. UL file E151556
5. Operating Temperature Range: All listed parameters are to be within tolerance from -40°C to +85°C
6. Storage Temperature Range: -55°C to +125°C
7. Aqueous wash compatible
8. SMD Lead Coplanarity: ±0.004"(0.102mm)
9. Moisture Sensitivity: Level 2

Doc Rev: A/1

2. Schematic:



3. Electrical Specifications:

Inductance: 300uH±15% @10KHz 0.1V

Rated Current: 2.0Adc

DCR: 0.20 Ohms Max.

Q: tbd Min @10KHz 0.1V

XFMRs Inc.	Title: Inductor		
	UNLESS OTHERWISE SPECIFIED TOLERANCES: .xx ±0.01 Dimensions in Inch	P/N: 1XF3006-HO	REV. A
SHEET 1 OF 1	DWN.	刘 鹏	Aug-13-04
	CHK.	李小锋	Aug-13-04
	APP.	J Ng	Aug-13-04