



MEA-2490-AM

2.4/5.0/6.0 GHz ISM Adhesive Mount

Part #: 100-00209-01



Description

The MEA-2490-AM Adhesive Mount Antenna is a low profile antenna solution, with a very high-performance ideal for maintaining constant network connectivity. The MEA-2490-AM covers all 2.4/5.0/6.0 ISM standard frequencies. This is an ideal antenna for telematics systems, remote surveillance, asset tracking and any IOT WIFI system applications. The high performance and low profile make this antenna ideal for the most challenging installations. This adhesive mount antenna is easy to install with maximum durability offering IP67 rated housing and anti-rotation mounting.

The MEA-2490-AM has one cable with a SMA-Male standard connector, 1m standard cable length and is fully customizable by offering additional connector types, cable lengths and cable types.

Electrical Specification

Parameter	Specification		
Frequency Range	2410-2490 MHz	4920-5925 MHz	5925-7125 MHz
Band	2.4 GHz	5.0 GHz	6.0 GHz
Return Loss	-8.6 dB	16.9 dB	13.3 dB
VSWR	2.3:1	1.5:1	1.7:1
Efficiency	42.4%	25.0%	25.0%
Peak Gain	3.5 dBi	1.7 dBi	1.5 dBi
Average Gain	-3.7 dB	-6.1 dB	-6.0 dB
Impedance	50 Ω		
Polarization	Linear		
Radiation Pattern	Omni-Directional		
Max. Input Power	25 W		

Features

- 2.4/5.0/6.0 GHz ISM Band
- Easy mounting: Adhesive Mount
- Ground Plane Independent
- Customizable Cable and Connector
- Dimensions 83 x 35 x 13.3 mm
- IP67, IP69

Applications

- WiFi applications
- Navigation and telematics systems
- IOT
- Automotive connectivity
- Multimedia
- Fleet management
- HD video and audio streaming

Mechanical Specification

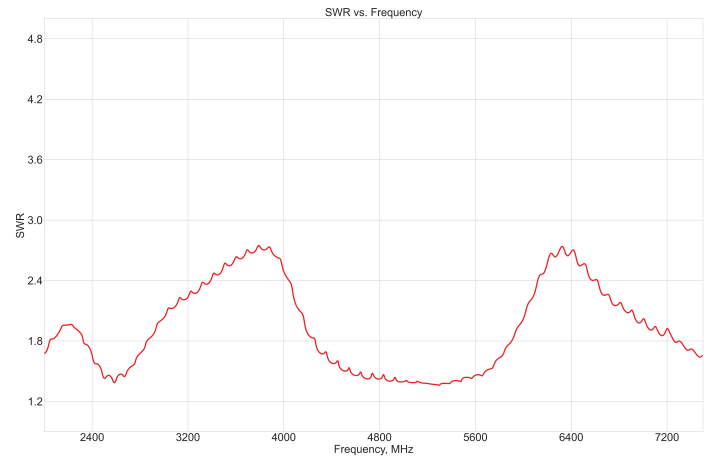
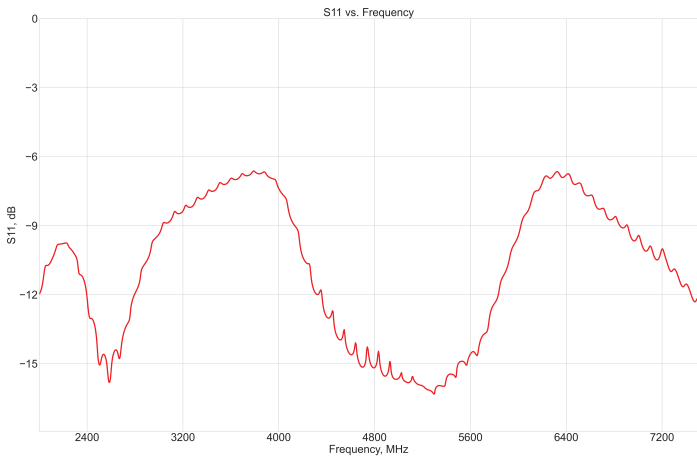
Parameter	Specification
Antenna Dimensions	83 x 35 x 13.3 mm
Operating Temperature	-40°C to +85°C
Mounting Type	Adhesive Mount
Connector	RP-SMA-Male
Cable Type	LL100
Radome	ABS
Radome color	Black
Substance Compliance	RoHS
Certificates	IP67, IP69

*Mounted on 30 x 30 x 0.25 cm ABS Plate



Maxtena Inc.
7361 Calhoun Place, Suite 102
Rockville, MD 20855
1-877-629-8362
info@maxtena.com

www.maxtena.com

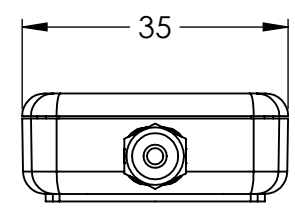
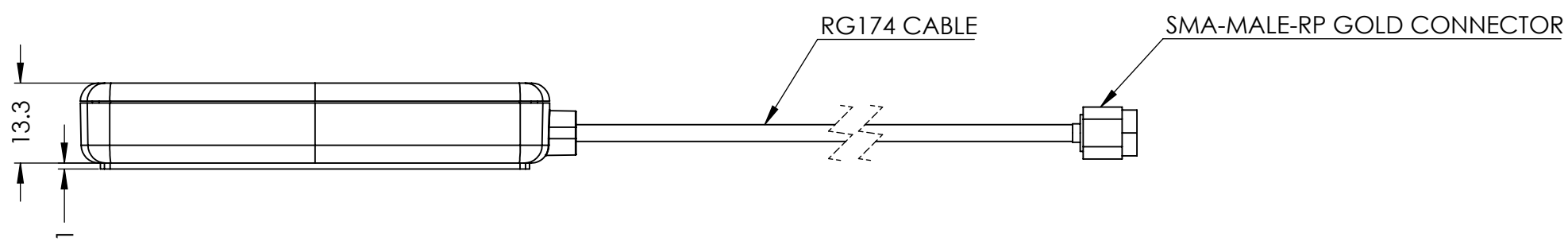
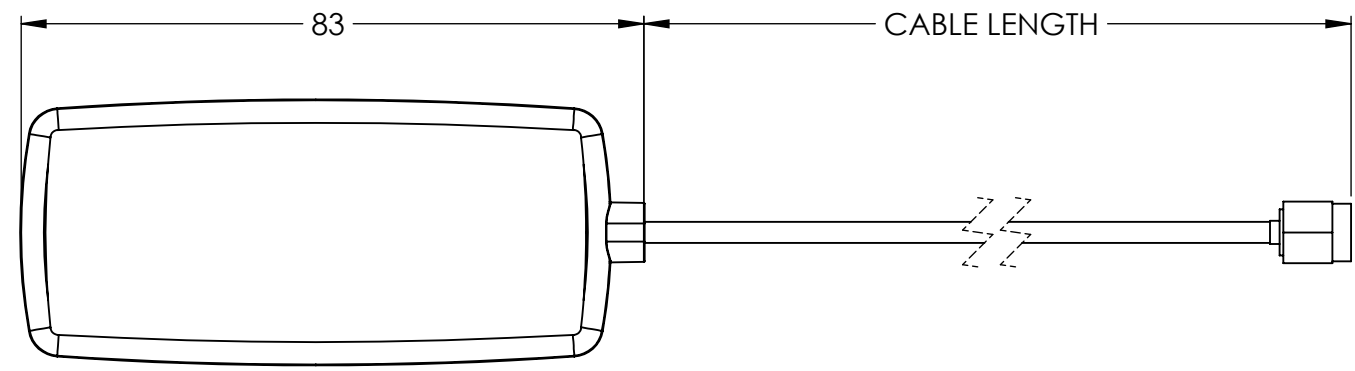
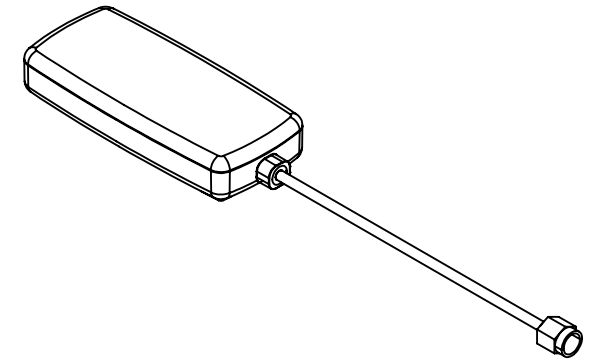


Maxtena Inc.
 7361 Calhoun Place, Suite 102
 Rockville, MD 20855
 1-877-629-8362
 info@maxtena.com
 www.maxtena.com

NOTES:

1. FREQUENCY (2.4/5.0 GHz ISM): 2410-2490 MHz, 4920-5925 MHz, 5925-7125 MHz
2. DIMENSIONS ARE AFTER MOUNTING
3. CUSTOMIZABLE CABLE AND CONNECTOR TYPE
4. MOUNTING TYPE: ADHESIVE MOUNT
5. MATERIALS:
 - RADOME: ABS
 - RADOME COLOR: BLACK
6. OPERATING TEMPERATURE: -40° C ~ +85° C
7. STORAGE TEMPERATURE: -40° C ~ +85° C
8. CERTIFICATION: IP67, IP69

DRAWING REVISION HISTORY			
REV	DESCRIPTION	DATE	BY
A	INITIAL RELEASE	2021-11-05	JET



ITEM 100-00209 REVISION HISTORY			
REV	DESCRIPTION	DATE	BY
A	INITIAL RELEASE	2021-11-05	JET

100-00209 CONFIGURATION TABLE				
DASH NO	CABLE TYPE	CABLE LENGTH	CONNECTOR TYPE	RADOME COLOR
-01	RG174	100 CM	SMA-MALE-RP GOLD	BLACK

UNLESS OTHERWISE SPECIFIED:

DIMENSIONS ARE IN MM
 TOLERANCES:
 FRACTIONAL: ±
 ANGULAR: MACH ± .5° BEND ±
 ONE PLACE DECIMAL ± 1.0
 TWO PLACE DECIMAL ± .50

INTERPRET GEOMETRIC TOLERANCING PER:

THIRD ANGLE PROJECTION
DO NOT SCALE DRAWING

	NAME	DATE
DRAWN	JET	2021-11-05
CHECKED	ZX	2021-11-05
ENG APPR.	NPC	2021-11-05
MFG APPR.		
Q.A.		

CAD MAINTAINED. CHANGES SHALL BE INCORPORATED BY THE DESIGN ACTIVITY.

MAXTENA, INC

TITLE: 100-00209 MEA-2490-AM

SIZE B DWG. NO. 117-00536-01 REV A

CAGE CODE: 5KQH7 SCALE: NONE SHEET 1 OF 1