

## Introduction


**Product Features**

- Keyed / polarized, prevents mismatching
- Lanceless contacts, no damaged tangs or tangled contacts
- Integral CPA protects against accidental unlocking
- Sleeved assembly for contact beam protection provides 50 durability cycles
- Attachment feature on pin housing provides connector clip mounting
- Integral PLR provides primary latch reinforcement with no additional assembly
- Sealing of interface and wires provides for environmental integrity
- Resistant to a wide range of chemicals
- RoHS and ELV compliant



The AMPSEAL 16 Connector System is targeted for off-road, heavy duty industrial, recreational and agricultural applications. This wire-to-wire and wire-to-device connector line was designed to meet the rigorous demands of an industry that requires the highest standards in performance.

Thermoplastic housings (-40 °C to +125 °C rated) and silicone seals allow the connectors to withstand extreme temperatures and moisture.

This connector family will feature the HDSF Size 16 Pin and Socket contacts as a terminal system.

These contacts are stamped and formed versions of the screw machined MIL-C-39029 contacts. The 2-, 3-, 4-, 6-, 8- and 12-position housings will offer a one-piece assembly for both plug and cap.

**SUPERSEDED**  
**NOT the LATEST REVISION**

---

Engineering Notes

---



## Introduction


**Product Features**

- 1.58 mm Pin and Socket System per MIL-C-39029
- Lanceless design
- Dual Beam Socket Contact
- Wire Size Range  
0.5–2.0 mm<sup>2</sup> (20–14 AWG)
- Wire Insulation 1.3–3.7 mm
- Terminal Plating  
Gold or Nickel
- Current Rating  
up to 13 amps
- Vibration Performance  
up to 35 G's
- RoHS and ELV compliant



The HDSF Size 16 Pin and Socket contacts system is a stamped and formed version of the screw machine MIL-C-39029 contacts.

The Tyco Electronics Size 16 contact system offers a thicker and higher performance alloy base metal, providing the following superior benefits over most of the competitive stamped and formed size 16 contact systems.

1. Increased terminal/beam strength
2. Greater resistance to stress relaxation
3. Increased current carrying ability due to lower T-Rise (20%)

Size 16 Terminal Selection Guide

The Terminal Summary Chart can be used as a quick guide to determine the part number for a particular application based on the following:

- 1) Insulation Barrel preference; 2) Plating preference; 3) Wire Size; and 4) Insulation Diameter.

**Size 16 Terminal Summary Chart**

	Terminal Part Number (Reeled)	Plating		Wire Size (AWG)	Insulation Diameter Range		Terminal Part Number (Loose-Piece)	Plating	
		Au	Ni		Inch	mm		Au	Ni
		Pin with Insulation Barrel	1924463		-1	-3		20-18	0.050-0.107
Socket with Insulation Barrel	1924464	-1	-2	20-18	0.050-0.107	1.27-2.72	1924580	-1	-2
Pin with Insulation Barrel	638078	-1	-3	18-14*	0.089-0.131	2.26-3.33	776300	-1	-2
Socket with Insulation Barrel	776492	-1	-2	18-14*	0.089-0.131	2.26-3.33	776299	-1	-2
Pin without Insulation Barrel	638112	-1	-3	18-14	0.077-0.155	1.96-3.94	776298	-1	-2
Socket without Insulation Barrel	776491	-1	-2	18-14	0.077-0.155	1.96-3.94	776297	-1	-2

\*) 14 AWG (SXL) wire not recommended for crimping on terminals with an Insulation Barrel.

The Terminal/Wire Selection for Connector Wire Seal Chart can be used as a guide to determine the following:

- 1) Wire Size and Insulation Type; 2) Nominal Insulation Diameter; 3) Recommended Terminal Part Number; and 4) Recommended Connector Wire Seal. For questions and concerns, please consult a Tyco Electronics Product Specialist.

**Size 16 Terminal / Wire Selection for Connector Wire Seal Chart**

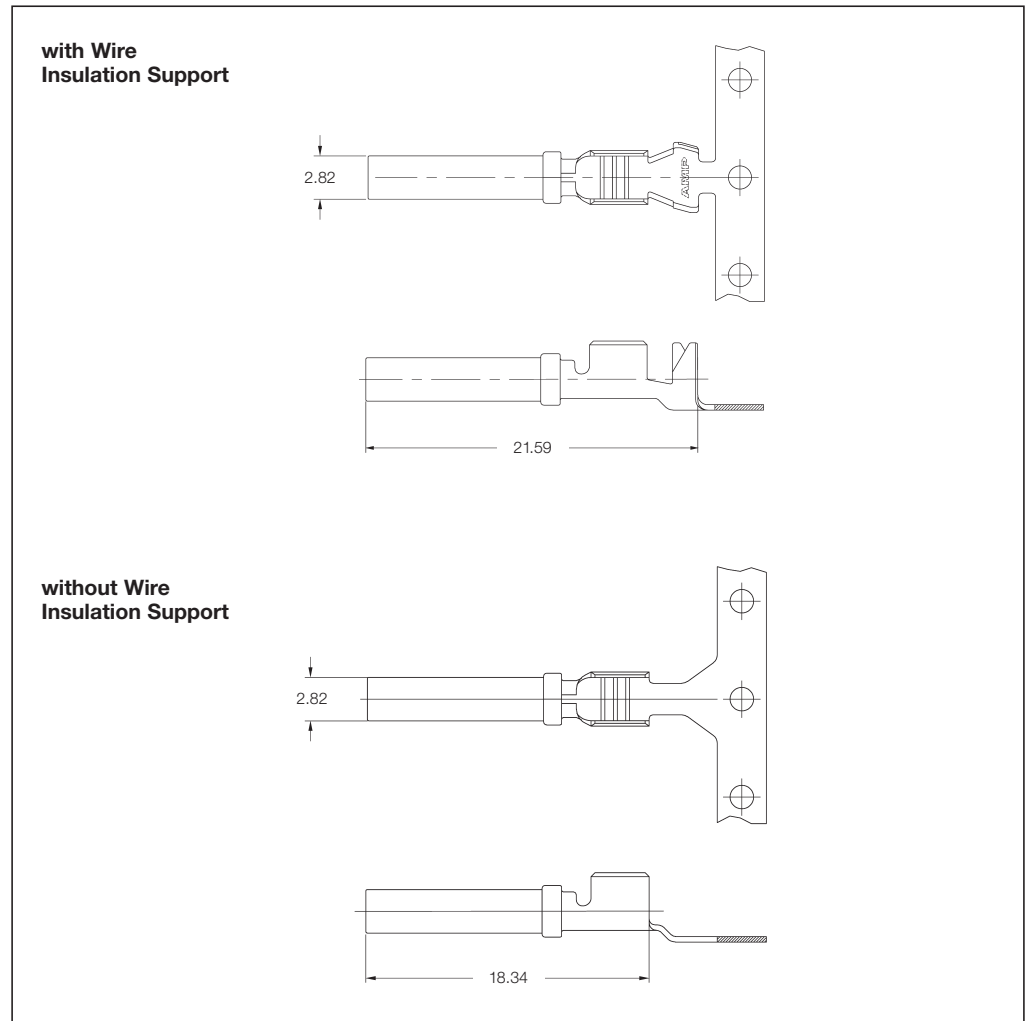
Wire Size (Insulation Type)	Insulation Diameter (Nominal)		Terminal Part Number (Reeled)						Connector Wire Seal	
			1924463		638078		776491		Standard Diameter (mm)	Reduced Diameter (mm)
			(mm)	(Inch)	(Pin)	(Socket)	(Pin)	(Socket)		
0.5 mm <sup>2</sup> (TXL)	1.78	0.070	✓	✓						✓
0.5 mm <sup>2</sup> (GXL)	2.22	0.087	✓	✓						✓
0.5 mm <sup>2</sup> (SXL)	2.55	0.100	✓	✓					✓	
20 AWG (TXL)	1.78	0.070	✓	✓						✓
20 AWG (GXL)	2.16	0.085	✓	✓						✓
20 AWG (SXL)	2.44	0.096	✓	✓					✓	
18 AWG (TXL)	1.98	0.078	✓	✓				✓	✓	✓
18 AWG (GXL)	2.34	0.092	✓	✓	✓	✓	✓	✓	✓	✓
18 AWG (SXL)	2.72	0.107			✓	✓	✓	✓	✓	
1.0 mm <sup>2</sup> (TXL)	2.28	0.090					✓	✓	✓	✓
1.0 mm <sup>2</sup> (GXL)	2.72	0.107			✓	✓	✓	✓	✓	
1.0 mm <sup>2</sup> (SXL)	3.15	0.124			✓	✓	✓	✓	✓	
16 AWG (TXL)	2.24	0.088					✓	✓	✓	✓
16 AWG (GXL)	2.62	0.103			✓	✓	✓	✓	✓	
16 AWG (SXL)	3.05	0.120			✓	✓	✓	✓	✓	
2.0 mm <sup>2</sup> (TXL)	2.58	0.102			✓	✓	✓	✓	✓	
2.0 mm <sup>2</sup> (GXL)	3.02	0.119			✓	✓	✓	✓	✓	
2.0 mm <sup>2</sup> (SXL)	3.65	0.144					✓	✓		
14 AWG (TXL)	2.62	0.103			✓	✓	✓	✓	✓	
14 AWG (GXL)	2.97	0.117			✓	✓	✓	✓	✓	
14 AWG (SXL)	3.58	0.141					✓	✓	✓	

**Note:** Insulation Diameter (Nominal) accuracy not guaranteed.

Receptacle Contacts (Sockets)

**Technical Features**

- Contact Material:**  
Copper Alloy
- Contact Finish:**  
Gold or Nickel
- Wire Size Range:**  
0.5–2.0 mm<sup>2</sup> (20–14 AWG)
- Insulation Diameter:**  
1.27–3.67 mm
- Current Carrying Capacity:**  
13 amps
- Temperature Range**  
–40 °C to +125 °C
- Product Specification:**  
108-2184
- Application Specification:**  
114-13045



**Receptacle Contacts with Wire Insulation Support**

Wire Size Range		Insulation Diameter (mm)	Material and Finish	Part Numbers				Applicator	Hand Tool
(mm <sup>2</sup> )	(AWG)			Strip Form	Package Quantity	Loose-Piece	Package Quantity		
0.5–0.8	20–18	1.27–2.72	Copper Alloy, Gold	1924464-1	4,000	1924580-1	1,000	See Application Specification 114-13045	
			Copper Alloy, Nickel	1924464-2	4,000	1924580-2	1,000		
0.8–2.0	18–14		Copper Alloy, Gold	776492-1	4,000	776299-1	1,000		
			Copper Alloy, Nickel	776492-2	4,000	776299-2	1,000		

**Note:** All Part Numbers are RoHS and ELV compliant.

**Receptacle Contacts without Wire Insulation Support**

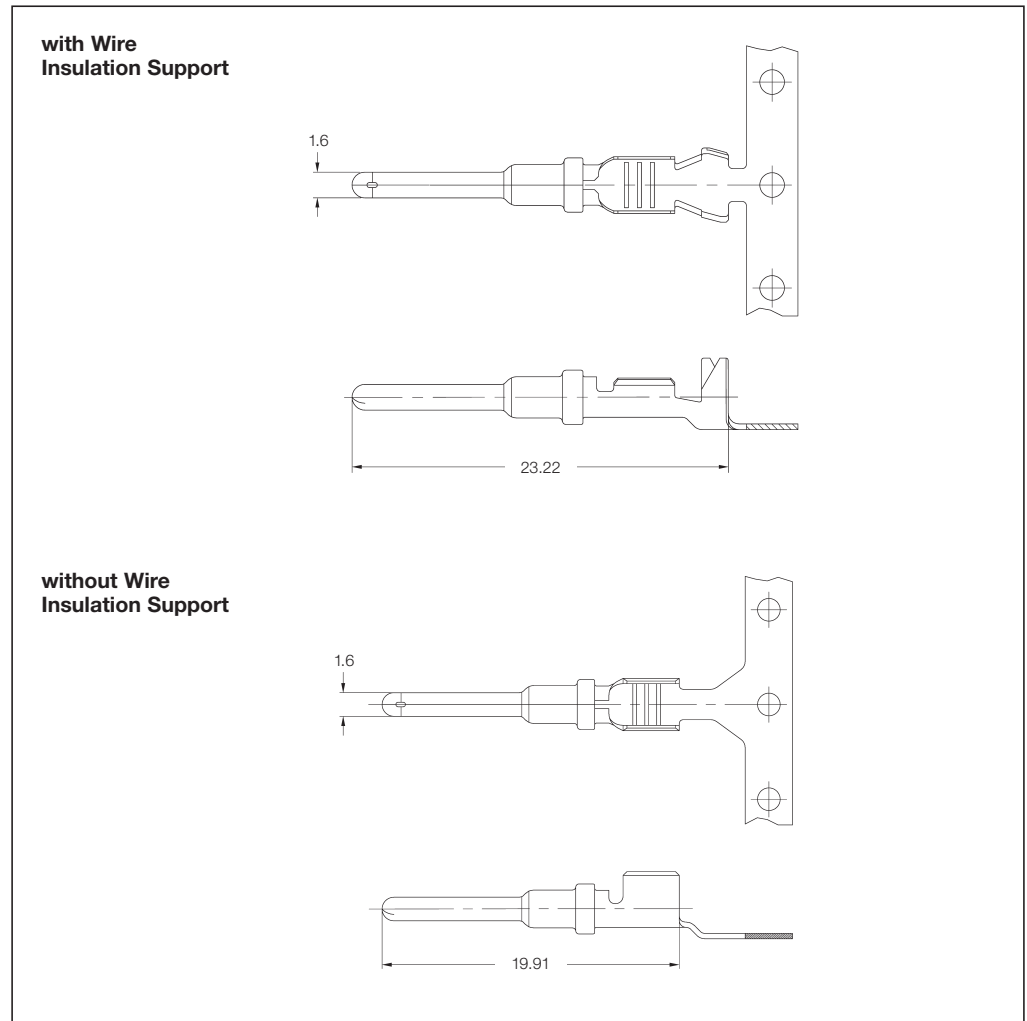
Wire Size Range		Insulation Diameter (mm)	Material and Finish	Part Numbers				Applicator	Hand Tool
(mm <sup>2</sup> )	(AWG)			Strip Form	Package Quantity	Loose-Piece	Package Quantity		
0.8–2.0	18–14	2.18–3.67	Copper Alloy, Gold	776491-1	4,000	776297-1	1,000	See Application Specification 114-13045	
			Copper Alloy, Nickel	776491-2	4,000	776297-2	1,000		

**Note:** All Part Numbers are RoHS and ELV compliant.

Pin Contacts

**Technical Features**

- Contact Material:**  
Copper Alloy
- Contact Finish:**  
Gold or Nickel
- Wire Size Range:**  
0.5–2.0 mm<sup>2</sup> (20–14 AWG)
- Insulation Diameter:**  
1.27–3.67 mm
- Current Carrying Capacity:**  
13 amps
- Temperature Range**  
–40 °C to +125 °C
- Product Specification:**  
108-2184
- Application Specification:**  
114-13045



**Pin Contacts with Wire Insulation Support**

Wire Size Range		Insulation Diameter (mm)	Material and Finish	Part Numbers				Applicator	Hand Tool
(mm <sup>2</sup> )	(AWG)			Strip Form	Package Quantity	Loose-Piece	Package Quantity		
0.5–0.8	20–18	1.27–2.72	Copper Alloy, Gold	1924463-1	4,000	1924579-1	1,000	See Application Specification 114-13045	
			Copper Alloy, Nickel	1924463-3	4,000	1924579-3	1,000		
0.8–2.0	18–14		Copper Alloy, Gold	638078-1	4,000	776300-1	1,000		
			Copper Alloy, Nickel	638078-3	4,000	776300-2	1,000		

**Note:** All Part Numbers are RoHS and ELV compliant.

**Pin Contacts without Wire Insulation Support**

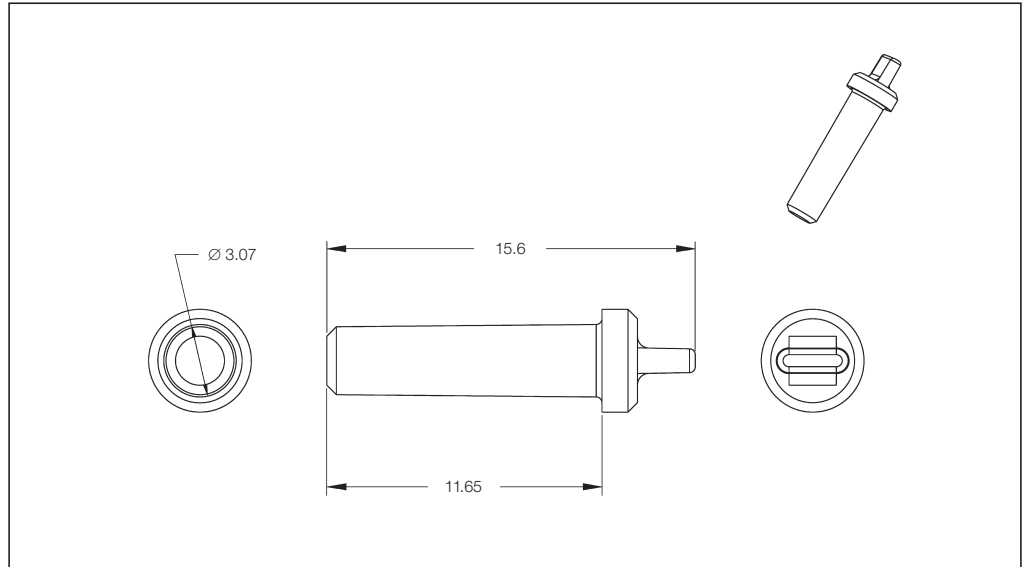
Wire Size Range		Insulation Diameter (mm)	Material and Finish	Part Numbers				Applicator	Hand Tool
(mm <sup>2</sup> )	(AWG)			Strip Form	Package Quantity	Loose-Piece	Package Quantity		
0.8–2.0	18–14	2.18–3.67	Copper Alloy, Gold	638112-1	4,000	776298-1	1,000	See Application Specification 114-13045	
			Copper Alloy, Nickel	638112-3	4,000	776298-2	1,000		

**Note:** All Part Numbers are RoHS and ELV compliant.

Cavity Plugs for Unsealed Cavity

**Technical Features**

- **Material:**  
Glass reinforced PBT
- **Resistant to a wide range of chemicals**
- **UL 94-HB rated**
- **RoHS and ELV compliant**



	Contact Cavity Size		Color	Part Number	Package Quantity
	(mm)	(AWG)			
Standard Diameter	3.07	16	Yellow	776363-1	10,000
Reduced Diameter	2.55	20	White	776364-1	10,000

---

Engineering Notes

---





## Introduction


**Product Features**

- Integral PLR provides primary latch reinforcement with no additional assembly
- Keyed / polarized, prevents mismatching
- Integral CPA protects against accidental unlocking
- Attachment feature on pin housing provides connector clip mounting
- Resistant to a wide range of chemicals
- RoHS and ELV compliant



The AMPSEAL 16 Receptacle and Pin housings come fully assembled, offering a one-piece approach for applied cost savings. Receptacle housing assemblies consist of the plug housing with both interface and wire seals, wire seal cover, PLR & CPA.

Thermoplastic housings (–40 °C to +125 °C rated) and silicone seals allow connectors to withstand extreme temperatures and moisture.

Pin housing assemblies are comprised of cap housing with wire seal, wire seal cover, and PLR. The single latch design with anti-overstress feature is only one of many additional features. Both color coding and physical keying prevents mismatching when multiple housings of the same position size are used in the application.

1-Row Sealed Receptacle (Plug) Housings

**Technical Features**

**No. of Positions:**  
2 (1×2) Positions Assembly

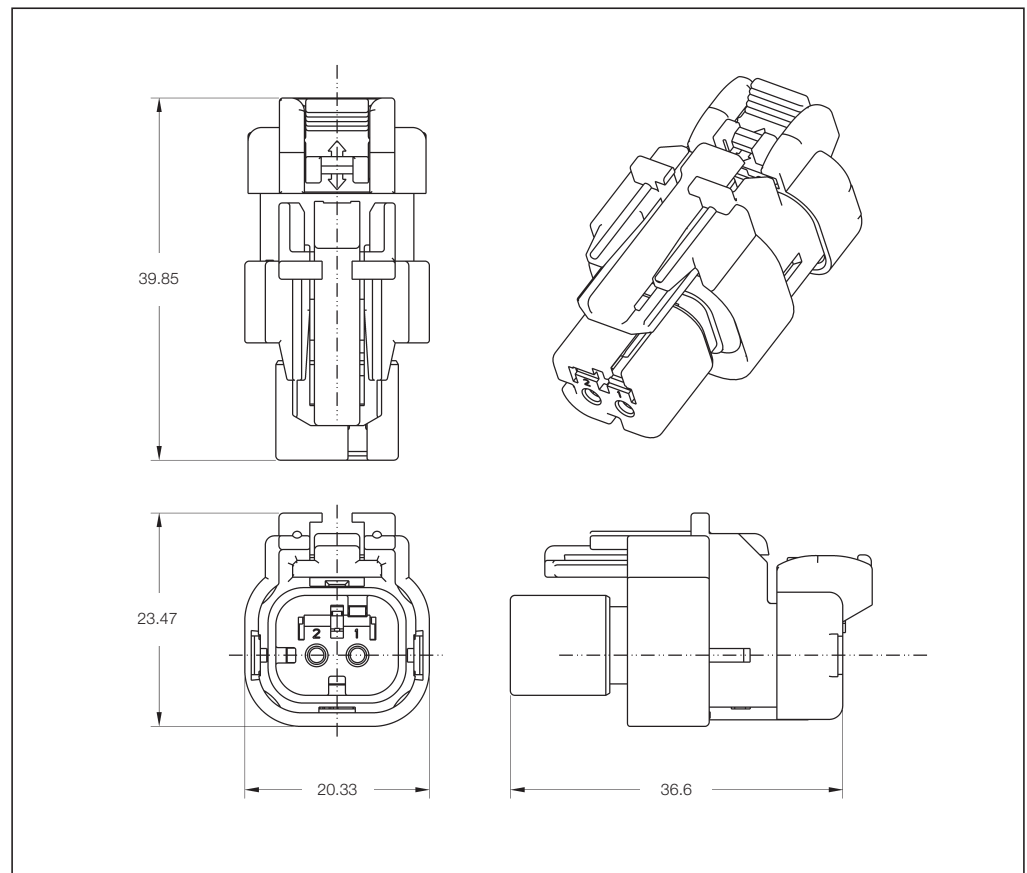
**Housing Material:**  
Glass Reinforced PBT

**Wire Size Range:**  
2.18–3.67 mm  
1.30–2.54 mm  
(with reduced diameter wire seal)

**Product Specification:**  
108-2184

**Application Specification:**  
114-13065

- UL 94-HB rated
- Resistant to a wide range of chemicals
- RoHS and ELV compliant



**Sealed Receptacle Housings 1-Row with Standard Diameter Wire Seal**

No. of Positions	PLR Color	Keying	Part Numbers	
			Receptacle (Plug) Housing	Mating Pin (Cap) Housing
2	Red	Key A	776427-1	776428-1
				1717672-1
	Gray	Key B	776427-2	776428-2
				1717672-2
	Yellow	Key C	776427-3	776428-3
				1717672-3
	Green	Key D	776427-4	776428-4
				1717672-4

**Sealed Receptacle Housings 1-Row with Reduced Diameter Wire Seal**

No. of Positions	PLR Color	Keying	Part Numbers	
			Receptacle (Plug) Housing	Mating Pin (Cap) Housing
2	Red	Key A	776522-1	776534-1
	Gray	Key B	776522-2	776534-2
	Yellow	Key C	776522-3	776534-3
	Green	Key A	776522-4	776534-4

1-Row Sealed Receptacle (Plug) Housings (continued)

**Technical Features**

**No. of Positions:**  
3 (1×3) Positions Assembly

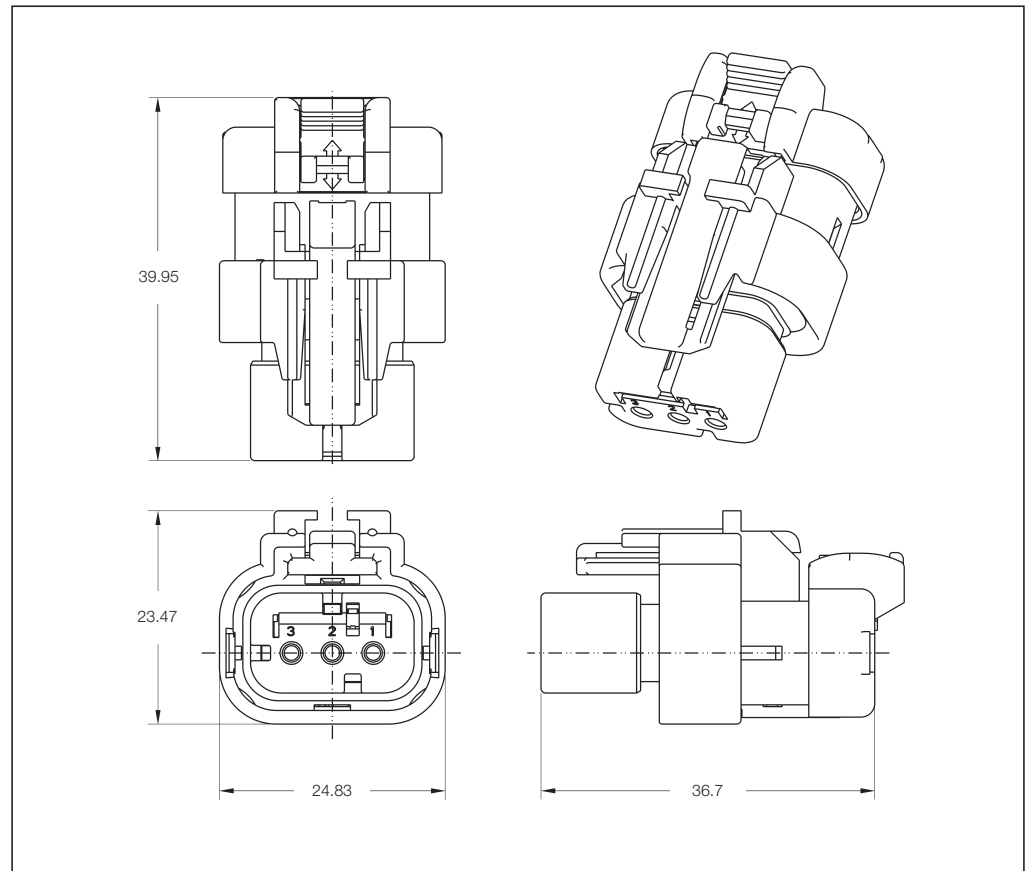
**Housing Material:**  
Glass Reinforced PBT

**Wire Size Range:**  
2.18–3.67 mm  
1.30–2.54 mm  
(with reduced diameter wire seal)

**Product Specification:**  
108-2184

**Application Specification:**  
114-13065

- UL 94-HB rated
- Resistant to a wide range of chemicals
- RoHS and ELV compliant



**Sealed Receptacle Housings 1-Row with Standard Diameter Wire Seal**

No. of Positions	PLR Color	Keying	Part Numbers	
			Receptacle (Plug) Housing	Mating Pin (Cap) Housing
3	Red	Key A	776429-1	776430-1
				1717673-1
	Gray	Key B	776429-2	776430-2
				1717673-2
	Yellow	Key C	776429-3	776430-3
				1717673-3
	Green	Key D	776429-4	776430-4
				1717673-4

**Sealed Receptacle Housings 1-Row with Reduced Diameter Wire Seal**

No. of Positions	PLR Color	Keying	Part Numbers	
			Receptacle (Plug) Housing	Mating Pin (Cap) Housing
3	Red	Key A	776523-1	776535-1
	Gray	Key B	776523-2	776535-2
	Yellow	Key C	776523-3	776535-3
	Green	Key A	776523-4	776535-4

**2-Row Sealed Receptacle (Plug) Housings**

**Technical Features**

**No. of Positions:**  
4 (2×2) Positions Assembly

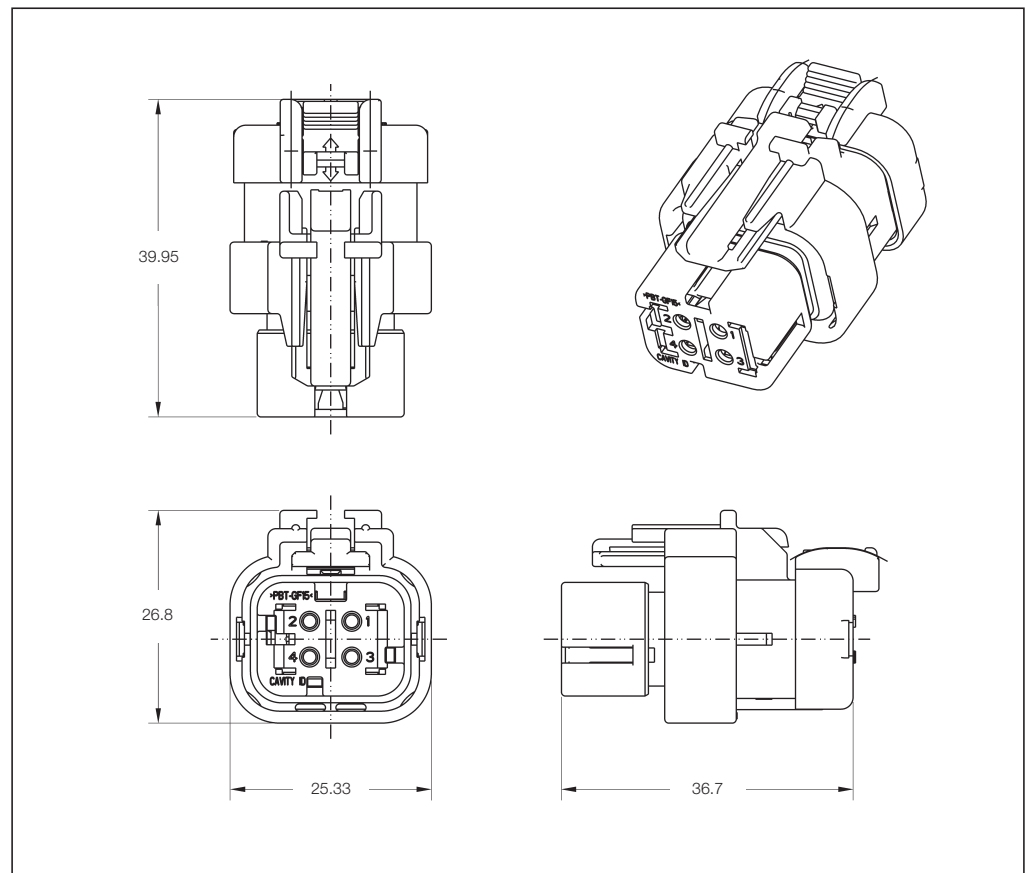
**Housing Material:**  
Glass Reinforced PBT

**Wire Size Range:**  
2.18–3.67 mm  
1.30–2.54 mm  
(with reduced diameter wire seal)

**Product Specification:**  
108-2184

**Application Specification:**  
114-13065

- UL 94-HB rated
- Resistant to a wide range of chemicals
- RoHS and ELV compliant



**Sealed Receptacle Housings 2-Row with Standard Diameter Wire Seal**

No. of Positions	PLR Color	Keying	Part Numbers	
			Receptacle (Plug) Housing	Mating Pin (Cap) Housing
4	Red	Key A	776487-1	776488-1
				1717674-1
	Gray	Key B	776487-2	776488-2
				1717674-2
	Yellow	Key C	776487-3	776488-3
				1717674-3
	Green	Key D	776487-4	776488-4
				1717674-4

**Sealed Receptacle Housings 2-Row with Reduced Diameter Wire Seal**

No. of Positions	PLR Color	Keying	Part Numbers	
			Receptacle (Plug) Housing	Mating Pin (Cap) Housing
4	Red	Key A	776524-1	776536-1
	Gray	Key B	776524-2	776536-2
	Yellow	Key C	776524-3	776536-3
	Green	Key A	776524-4	776536-4

2-Row Sealed Receptacle (Plug) Housings (continued)

**Technical Features**

**No. of Positions:**  
6 (2×3) Positions Assembly

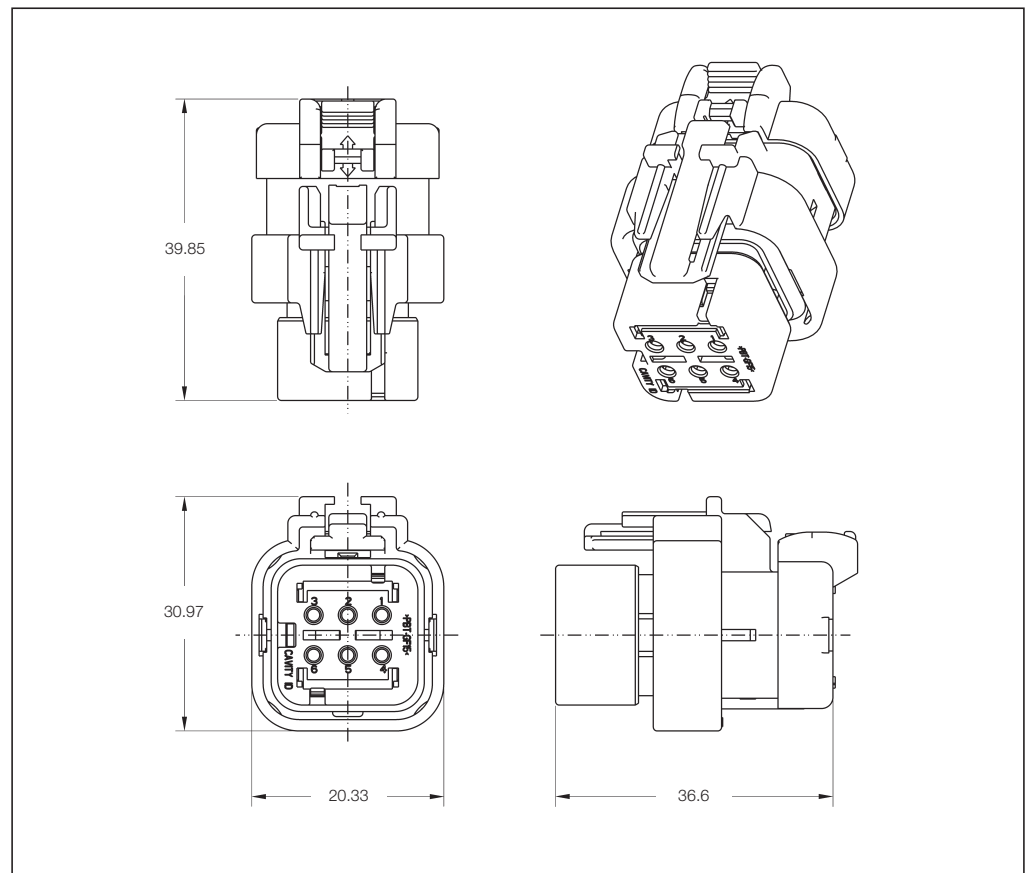
**Housing Material:**  
Glass Reinforced PBT

**Wire Size Range:**  
2.18–3.67 mm  
1.30–2.54 mm  
(with reduced diameter wire seal)

**Product Specification:**  
108-2184

**Application Specification:**  
114-13065

- UL 94-HB rated
- Resistant to a wide range of chemicals
- RoHS and ELV compliant



**Sealed Receptacle Housings 2-Row with Standard Diameter Wire Seal**

No. of Positions	PLR Color	Keying	Part Numbers	
			Receptacle (Plug) Housing	Mating Pin (Cap) Housing
6	Red	Key A	776433-1	776434-1
				1717675-1
	Gray	Key B	776433-2	776434-2
				1717675-2
	Yellow	Key C	776433-3	776434-3
				1717675-3

**Sealed Receptacle Housings 2-Row with Reduced Diameter Wire Seal**

No. of Positions	PLR Color	Keying	Part Numbers	
			Receptacle (Plug) Housing	Mating Pin (Cap) Housing
6	Red	Key A	776531-1	776537-1
				1717975-1
	Gray	Key B	776531-2	776537-2
				1717975-2
	Yellow	Key C	776531-3	776537-3
				1717975-3

**2-Row Sealed Receptacle (Plug) Housings**

**Technical Features**

**No. of Positions:**

8 (2×4) Positions Assembly

**Housing Material:**

Glass Reinforced PBT

**Wire Size Range:**

2.18–3.67 mm  
1.30–2.54 mm  
(with reduced diameter wire seal)

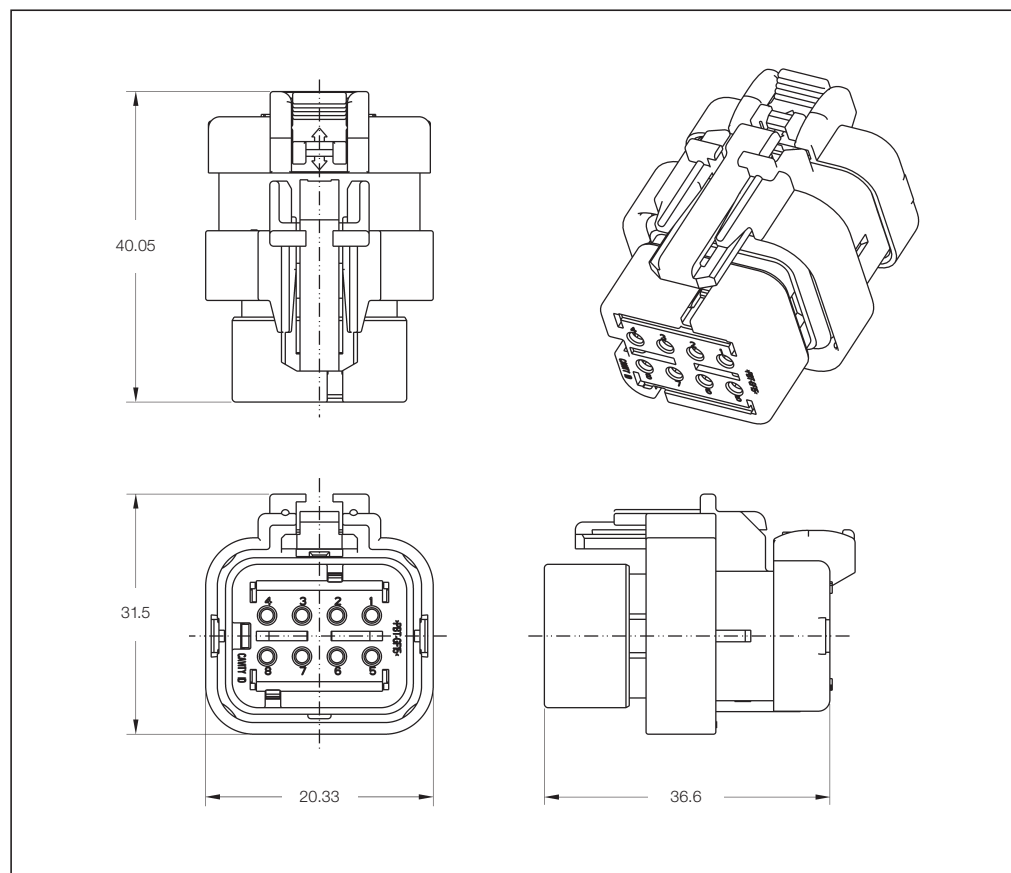
**Product Specification:**

108-2184

**Application Specification:**

114-13065

- UL 94-HB rated
- Resistant to a wide range of chemicals
- RoHS and ELV compliant



**Sealed Receptacle Housings 2-Row with Standard Diameter Wire Seal**

No. of Positions	PLR Color	Keying	Part Numbers	
			Receptacle (Plug) Housing	Mating Pin (Cap) Housing
8	Red	Key A	776494-1	776495-1
				1717676-1
	Gray	Key B	776494-2	776495-2
				1717676-2
	Yellow	Key C	776494-3	776495-3
				1717676-3
	Green	Key D	776494-4	776495-4
				1717676-4

**Sealed Receptacle Housings 2-Row with Reduced Diameter Wire Seal**

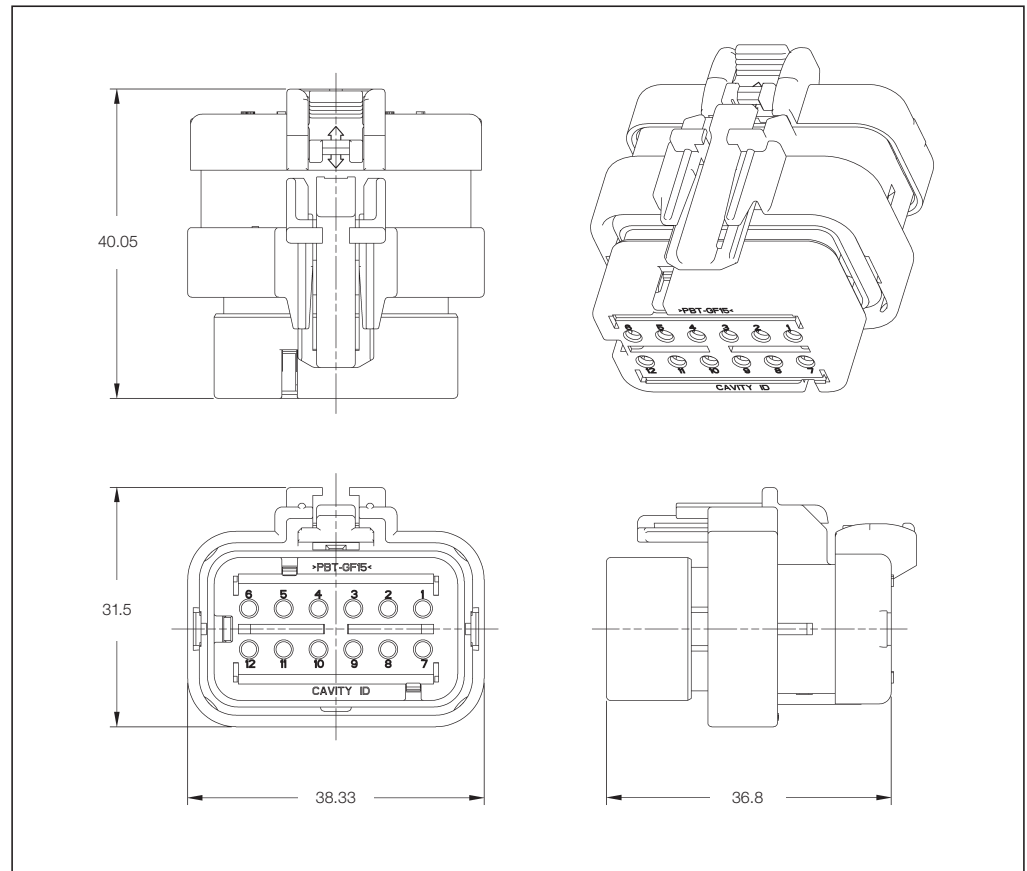
No. of Positions	PLR Color	Keying	Part Numbers	
			Receptacle (Plug) Housing	Mating Pin (Cap) Housing
8	Red	Key A	776532-1	776538-1
	Gray	Key B	776532-2	776538-2
	Yellow	Key C	776532-3	776538-3
	Green	Key A	776532-4	776538-4

2-Row Sealed Receptacle (Plug) Housings (continued)

**Technical Features**

- No. of Positions:**  
12 (2×6) Positions Assembly
- Housing Material:**  
Glass Reinforced PBT
- Wire Size Range:**  
2.18–3.67 mm  
1.30–2.54 mm  
(with reduced diameter wire seal)
- Product Specification:**  
108-2184
- Application Specification:**  
114-13065

- UL 94-HB rated
- Resistant to a wide range of chemicals
- RoHS and ELV compliant



**Sealed Receptacle Housings 2-Row with Standard Diameter Wire Seal**

No. of Positions	PLR Color	Keying	Part Numbers	
			Receptacle (Plug) Housing	Mating Pin (Cap) Housing
12	Red	Key A	776437-1	776538-1 1717677-1
	Gray	Key B	776437-2	776538-2 1717677-2
	Yellow	Key C	776437-3	776538-3 1717677-3
	Green	Key D	776437-4	776538-4 1717677-4

**Sealed Receptacle Housings 2-Row with Reduced Diameter Wire Seal**

No. of Positions	PLR Color	Keying	Part Numbers	
			Receptacle (Plug) Housing	Mating Pin (Cap) Housing
12	Red	Key A	776533-1	776539-1 1717934-1
	Gray	Key B	776533-2	776539-2 1717934-2
	Yellow	Key C	776533-3	776539-3 1717934-3
	Green	Key D	776533-4	776539-4 1717934-4

1-Row Sealed Pin (Cap) Housings

**Technical Features**

**No. of Positions:**  
2 (1×2) Positions Assembly

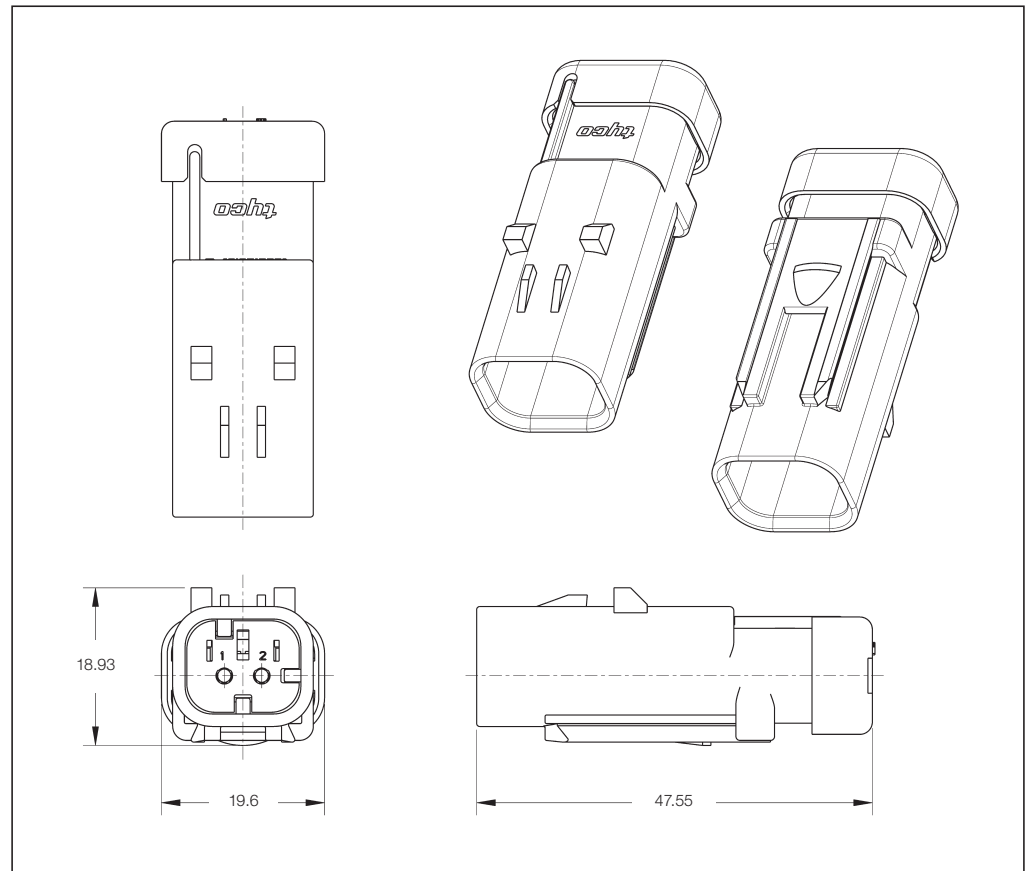
**Housing Material:**  
Glass Reinforced PBT

**Wire Size Range:**  
2.18–3.67 mm  
1.30–2.54 mm  
(with reduced diameter wire seal)

**Product Specification:**  
108-2184

**Application Specification:**  
114-13065

- UL 94-HB rated
- Resistant to a wide range of chemicals
- RoHS and ELV compliant



**Sealed Pin Housings 1-Row with Standard Diameter Wire Seal**

No. of Positions	PLR Color	Keying	Part Numbers	
			Pin (Cap) Housing	Mating Receptacle (Plug) Housing
2	Red	Key A	776428-1	776427-1
	Gray	Key B	776428-2	776427-2
	Yellow	Key C	776428-3	776427-3
	Green	Key D	776428-4	776427-4

**Sealed Pin Housings 1-Row with Reduced Diameter Wire Seal**

No. of Positions	PLR Color	Keying	Part Numbers	
			Pin (Cap) Housing	Mating Receptacle (Plug) Housing
2	Red	Key A	776534-1	776522-1
	Gray	Key B	776534-2	776522-2
	Yellow	Key C	776534-3	776522-3
	Green	Key D	776534-4	776522-4



1-Row Sealed Pin (Cap) Housings – Reversed Type

**Technical Features**

**No. of Positions:**  
2 (1×2) Positions Assembly

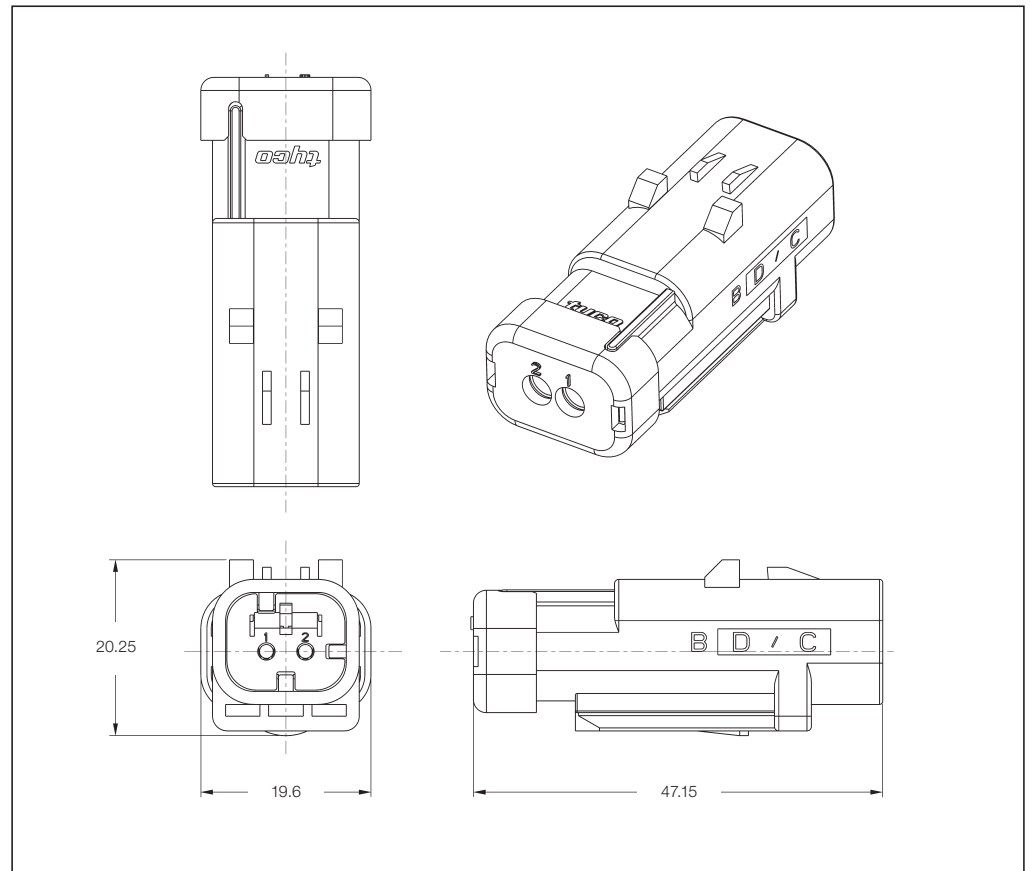
**Housing Material:**  
Glass Reinforced PBT

**Wire Size Range:**  
2.18–3.67 mm

**Product Specification:**  
108-2184

**Application Specification:**  
114-13065

- UL 94-HB rated
- Resistant to a wide range of chemicals
- RoHS and ELV compliant



**Sealed Pin Housings 1-Row – Reversed Mounting Feature**

No. of Positions	PLR Color	Keying	Part Numbers	
			Pin (Cap) Housing	Mating Receptacle (Plug) Housing
2	Red	Key A	1717672-1	776427-1
	Gray	Key B	1717672-2	776427-2
	Yellow	Key C	1717672-3	776427-3
	Green	Key D	1717672-4	776427-4

1-Row Sealed Pin (Cap) Housings

**Technical Features**

**No. of Positions:**  
3 (1×3) Positions Assembly

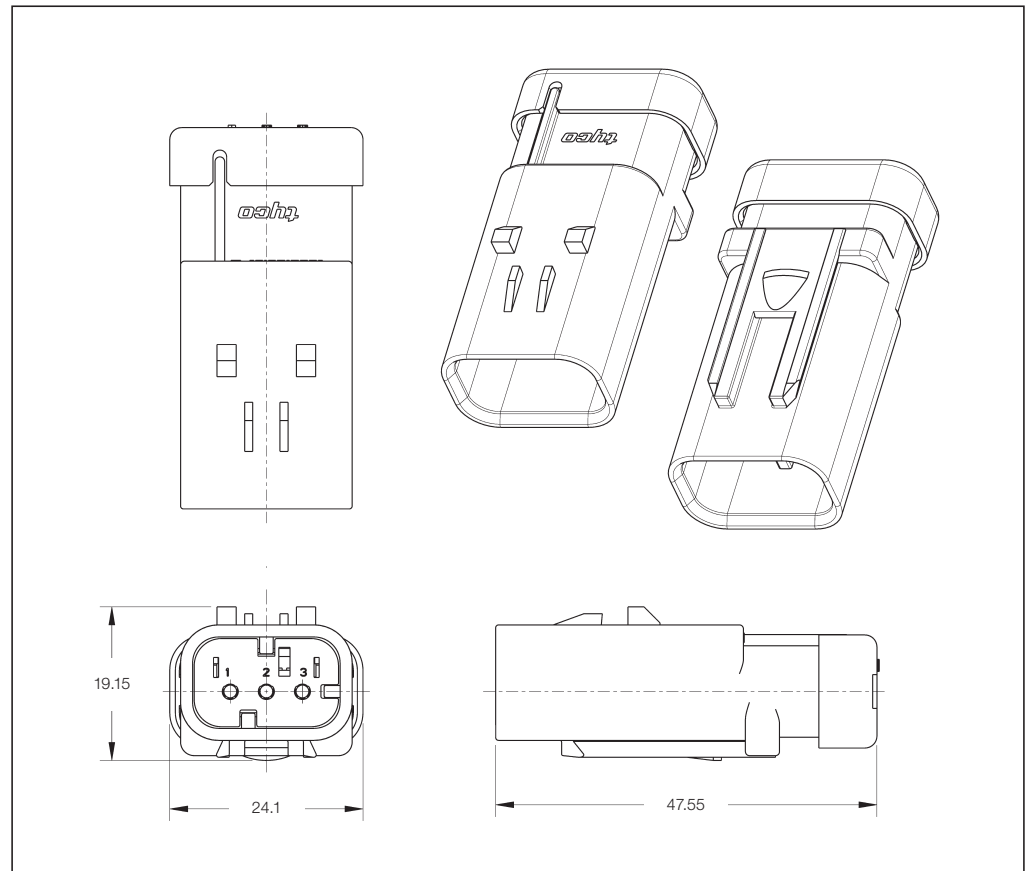
**Housing Material:**  
Glass Reinforced PBT

**Wire Size Range:**  
2.18–3.67 mm  
1.30–2.54 mm  
(with reduced diameter wire seal)

**Product Specification:**  
108-2184

**Application Specification:**  
114-13065

- UL 94-HB rated
- Resistant to a wide range of chemicals
- RoHS and ELV compliant



**Sealed Pin Housings 1-Row with Standard Diameter Wire Seal**

No. of Positions	PLR Color	Keying	Part Numbers	
			Pin (Cap) Housing	Mating Receptacle (Plug) Housing
3	Red	Key A	776430-1	776429-1
	Gray	Key B	776430-2	776429-2
	Yellow	Key C	776430-3	776429-3
	Green	Key D	776430-4	776429-4

**Sealed Pin Housings 1-Row with Reduced Diameter Wire Seal**

No. of Positions	PLR Color	Keying	Part Numbers	
			Pin (Cap) Housing	Mating Receptacle (Plug) Housing
3	Red	Key A	776535-1	776523-1
	Gray	Key B	776535-2	776523-2
	Yellow	Key C	776535-3	776523-3
	Green	Key D	776535-4	776523-4

1-Row Sealed Pin (Cap) Housings – Reversed Type

**Technical Features**

**No. of Positions:**  
3 (1×3) Positions Assembly

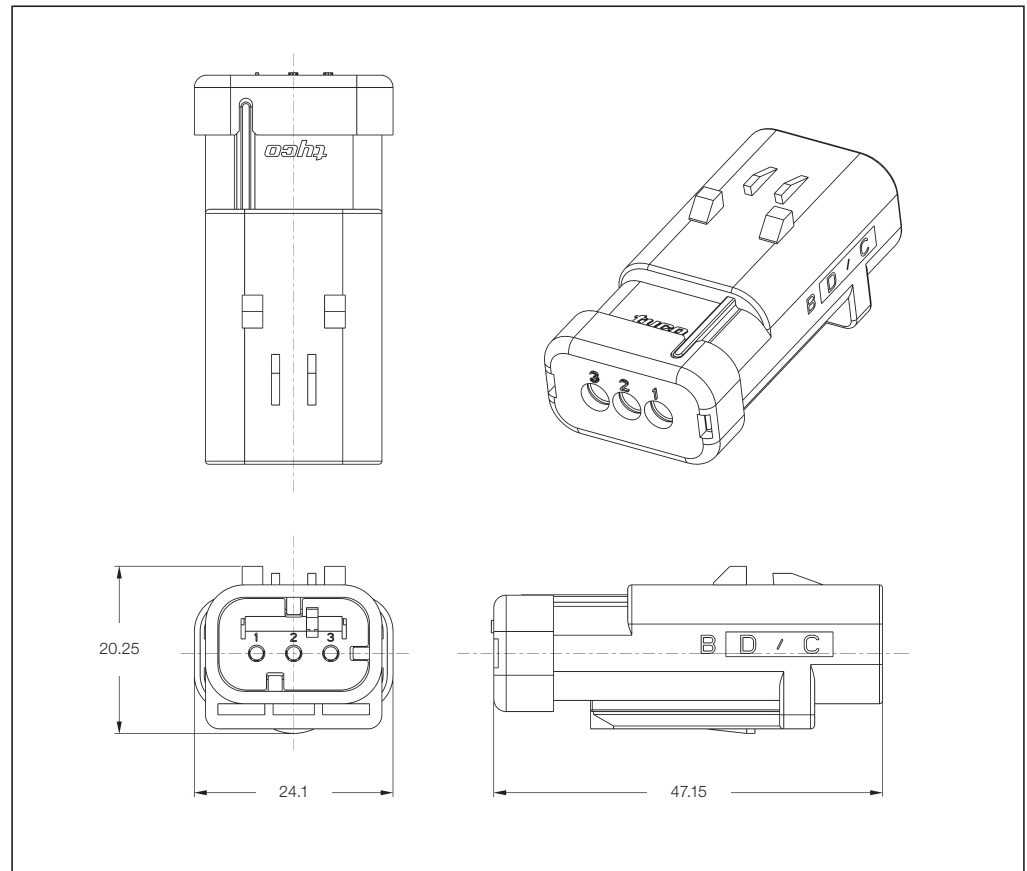
**Housing Material:**  
Glass Reinforced PBT

**Wire Size Range:**  
2.18–3.67 mm

**Product Specification:**  
108-2184

**Application Specification:**  
114-13065

- UL 94-HB rated
- Resistant to a wide range of chemicals
- RoHS and ELV compliant



**Sealed Pin Housings 1-Row – Reversed Mounting Feature**

No. of Positions	PLR Color	Keying	Part Numbers	
			Pin (Cap) Housing	Mating Receptacle (Plug) Housing
3	Red	Key A	1717673-1	776429-1
	Gray	Key B	1717673-2	776429-2
	Yellow	Key C	1717673-3	776429-3
	Green	Key D	1717673-4	776429-4

2-Row Sealed Pin (Cap) Housings

**Technical Features**

**No. of Positions:**

4 (2×2) Positions Assembly

**Housing Material:**

Glass Reinforced PBT

**Wire Size Range:**

2.18–3.67 mm  
1.30–2.54 mm  
(with reduced diameter wire seal)

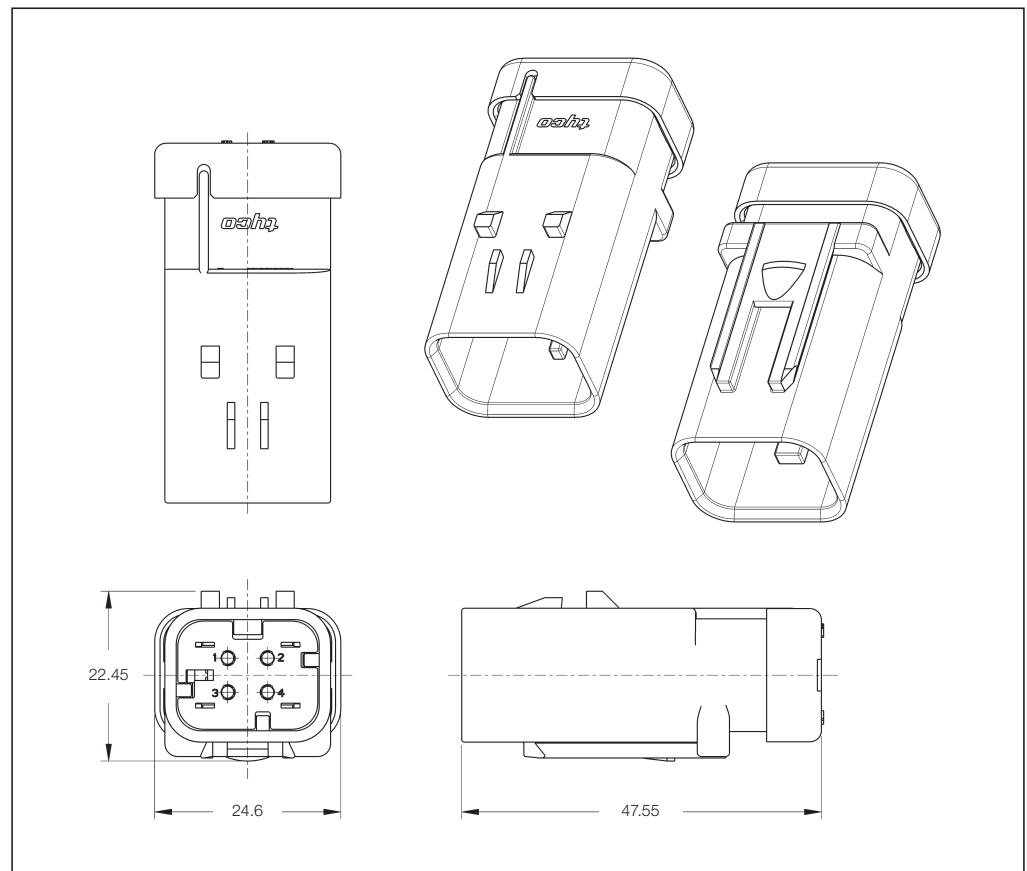
**Product Specification:**

108-2184

**Application Specification:**

114-13065

- UL 94-HB rated
- Resistant to a wide range of chemicals
- RoHS and ELV compliant



**Sealed Pin Housings 2-Row with Standard Diameter Wire Seal**

No. of Positions	PLR Color	Keying	Part Numbers	
			Pin (Cap) Housing	Mating Receptacle (Plug) Housing
4	Red	Key A	776488-1	776487-1
	Gray	Key B	776488-2	776487-2
	Yellow	Key C	776488-3	776487-3
	Green	Key D	776488-4	776487-4

**Sealed Pin Housings 2-Row with Reduced Diameter Wire Seal**

No. of Positions	PLR Color	Keying	Part Numbers	
			Pin (Cap) Housing	Mating Receptacle (Plug) Housing
4	Red	Key A	776536-1	776524-1
	Gray	Key B	776536-2	776524-2
	Yellow	Key C	776536-3	776524-3
	Green	Key D	776536-4	776524-4

**2-Row Sealed Pin (Cap) Housings – Reversed Type**

**Technical Features**

**No. of Positions:**  
4 (2×2) Positions Assembly

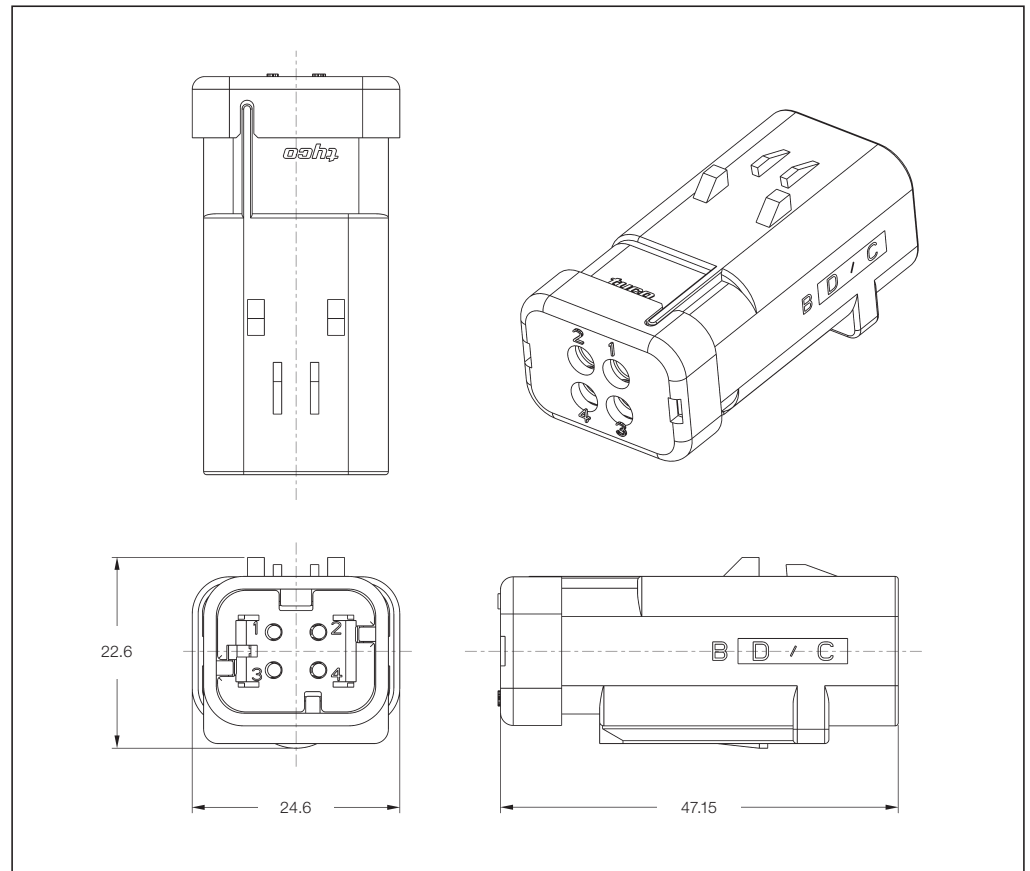
**Housing Material:**  
Glass Reinforced PBT

**Wire Size Range:**  
2.18–3.67 mm

**Product Specification:**  
108-2184

**Application Specification:**  
114-13065

- UL 94-HB rated
- Resistant to a wide range of chemicals
- RoHS and ELV compliant



**Sealed Pin Housings 2-Row – Reversed Mounting Feature**

No. of Positions	PLR Color	Keying	Part Numbers	
			Pin (Cap) Housing	Mating Receptacle (Plug) Housing
4	Red	Key A	1717674-1	776487-1
	Gray	Key B	1717674-2	776487-2
	Yellow	Key C	1717674-3	776487-3
	Green	Key D	1717674-4	776487-4

2-Row Sealed Pin (Cap) Housings

**Technical Features**

**No. of Positions:**

6 (2×3) Positions Assembly

**Housing Material:**

Glass Reinforced PBT

**Wire Size Range:**

2.18–3.67 mm  
1.30–2.54 mm  
(with reduced diameter wire seal)

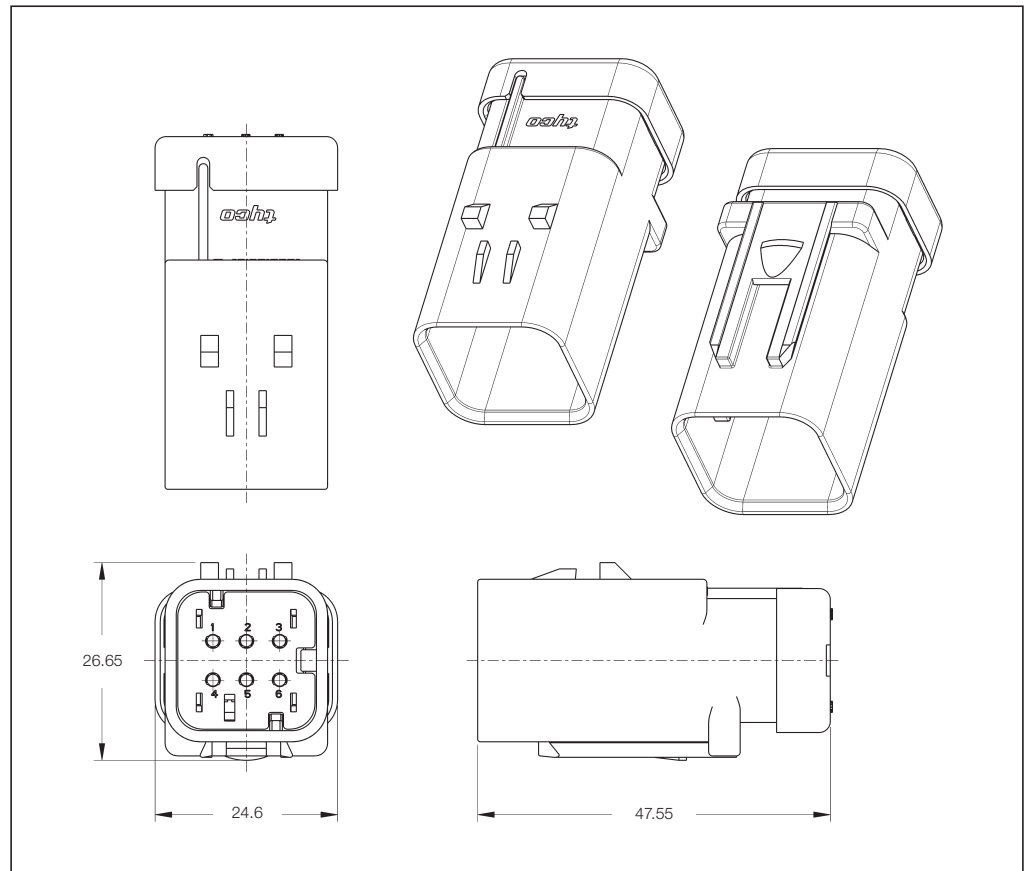
**Product Specification:**

108-2184

**Application Specification:**

114-13065

- UL 94-HB rated
- Resistant to a wide range of chemicals
- RoHS and ELV compliant



**Sealed Pin Housings 2-Row with Standard Diameter Wire Seal**

No. of Positions	PLR Color	Keying	Part Numbers	
			Pin (Cap) Housing	Mating Receptacle (Plug) Housing
6	Red	Key A	776434-1	776433-1
	Gray	Key B	776434-2	776433-2
	Yellow	Key C	776434-3	776433-3

**Sealed Pin Housings 2-Row with Reduced Diameter Wire Seal**

No. of Positions	PLR Color	Keying	Part Numbers	
			Pin (Cap) Housing	Mating Receptacle (Plug) Housing
6	Red	Key A	776537-1	776531-1
	Gray	Key B	776537-2	776531-2
	Yellow	Key C	776537-3	776531-3

**2-Row Sealed Pin (Cap) Housings – Reversed Type**

**Technical Features**

**No. of Positions:**  
6 (2×3) Positions Assembly

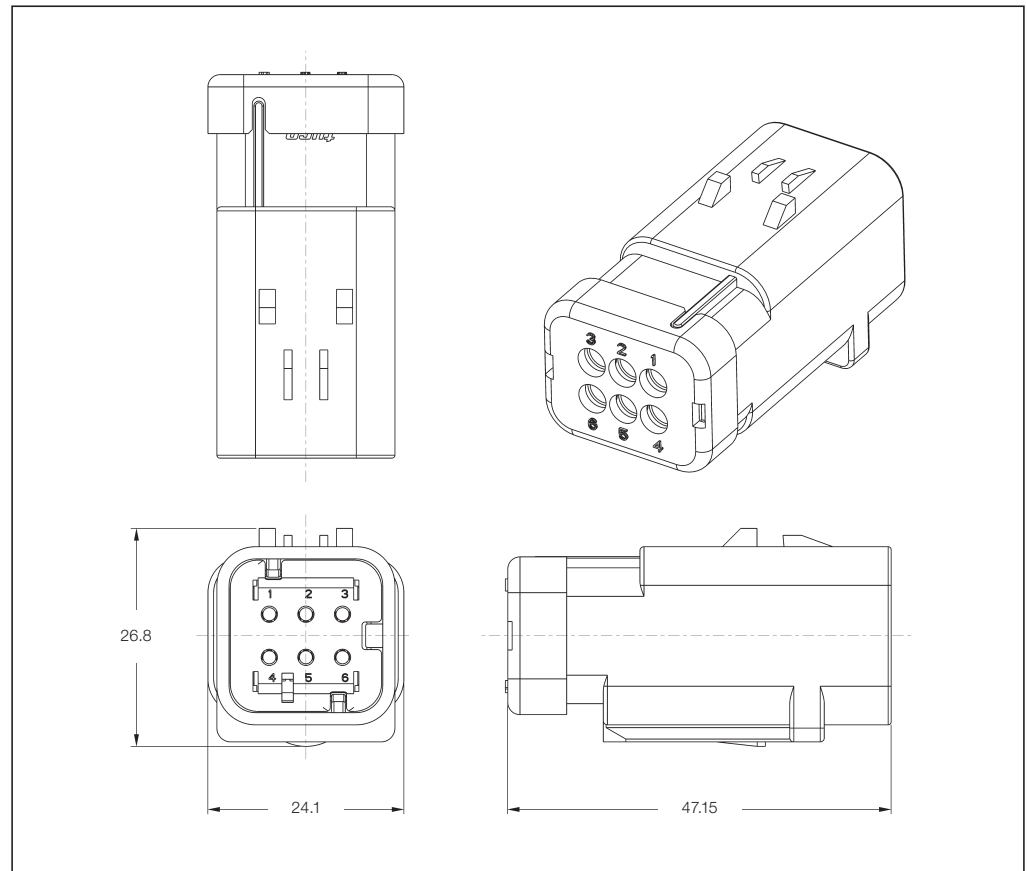
**Housing Material:**  
Glass Reinforced PBT

**Wire Size Range:**  
2.18–3.67 mm  
1.30–2.54 mm  
(with reduced diameter wire seal)

**Product Specification:**  
108-2184

**Application Specification:**  
114-13065

- UL 94-HB rated
- Resistant to a wide range of chemicals
- RoHS and ELV compliant



**Sealed Pin Housings 2-Row – Reversed Mounting Feature**

No. of Positions	PLR Color	Keying	Part Numbers	
			Pin (Cap) Housing	Mating Receptacle (Plug) Housing
6	Red	Key A	1717675-1	776433-1
	Gray	Key B	1717675-2	776433-2
	Yellow	Key C	1717675-3	776433-3

**Sealed Pin Housings 2-Row – Reversed Type with Reduced Diameter Wire Seal**

No. of Positions	PLR Color	Keying	Part Numbers	
			Pin (Cap) Housing	Mating Receptacle (Plug) Housing
6	Red	Key A	1717975-1	776531-1
	Gray	Key B	1717975-2	776531-2
	Yellow	Key C	1717975-3	776531-3

2-Row Sealed Pin (Cap) Housings

**Technical Features**

**No. of Positions:**  
8 (2×4) Positions Assembly

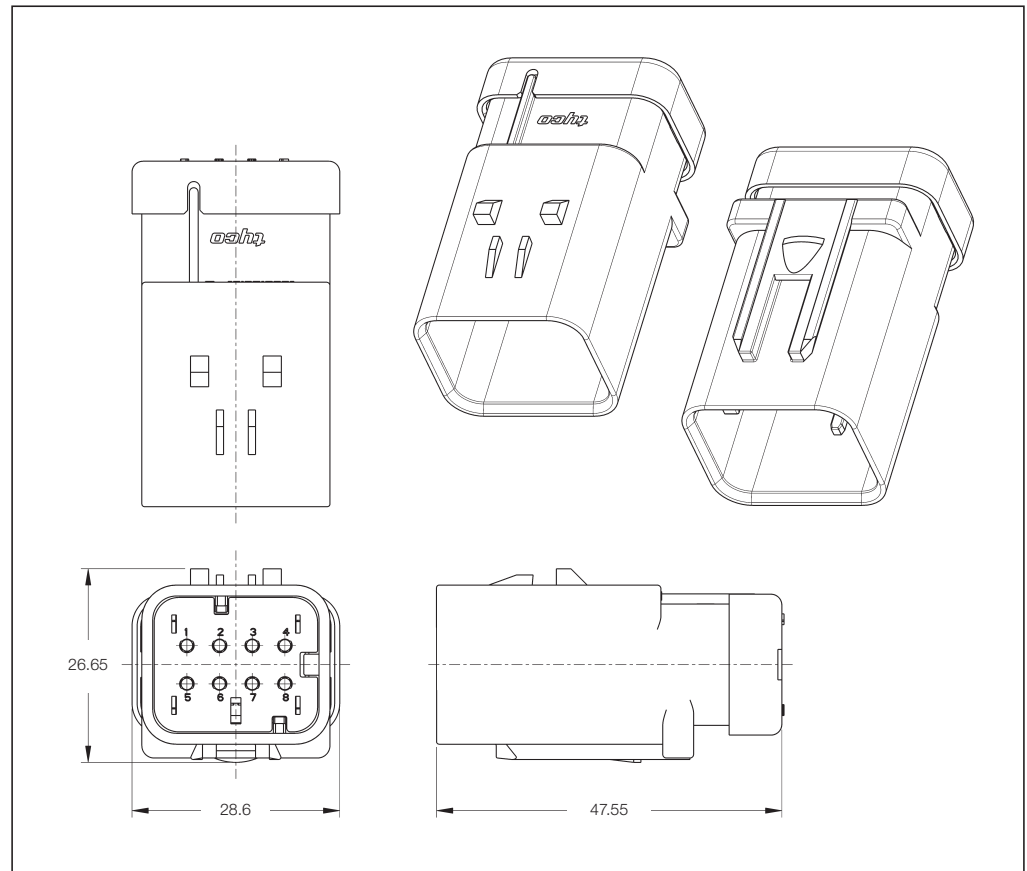
**Housing Material:**  
Glass Reinforced PBT

**Wire Size Range:**  
2.18–3.67 mm  
1.30–2.54 mm  
(with reduced diameter wire seal)

**Product Specification:**  
108-2184

**Application Specification:**  
114-13065

- UL 94-HB rated
- Resistant to a wide range of chemicals
- RoHS and ELV compliant



**Sealed Pin Housings 2-Row with Standard Diameter Wire Seal**

No. of Positions	PLR Color	Keying	Part Numbers	
			Pin (Cap) Housing	Mating Receptacle (Plug) Housing
8	Red	Key A	776495-1	776494-1
	Gray	Key B	776495-2	776494-2
	Yellow	Key C	776495-3	776494-3
	Green	Key D	776495-4	776494-4

**Sealed Pin Housings 2-Row with Reduced Diameter Wire Seal**

No. of Positions	PLR Color	Keying	Part Numbers	
			Pin (Cap) Housing	Mating Receptacle (Plug) Housing
8	Red	Key A	776538-1	776532-1
	Gray	Key B	776538-2	776532-2
	Yellow	Key C	776538-3	776532-3
	Green	Key D	776538-4	776532-4



**2-Row Sealed Pin (Cap) Housings – Reversed Type**

**Technical Features**

**No. of Positions:**  
8 (2×4) Positions Assembly

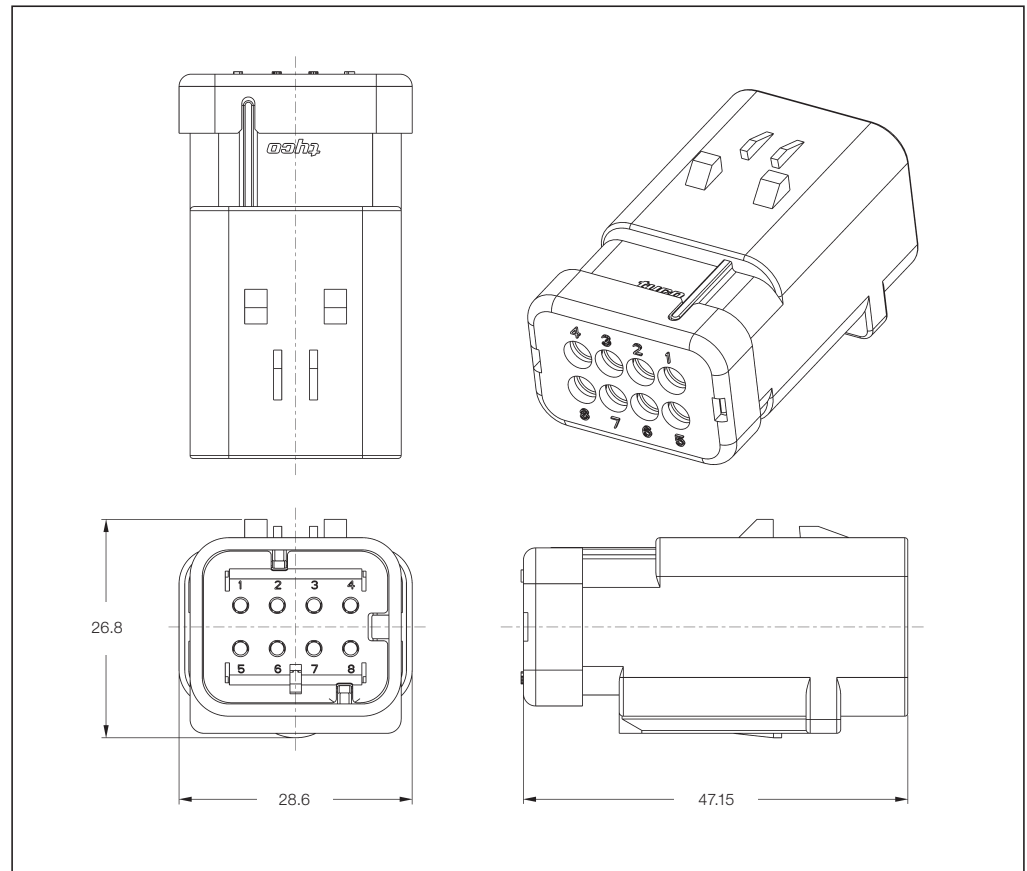
**Housing Material:**  
Glass Reinforced PBT

**Wire Size Range:**  
2.18–3.67 mm

**Product Specification:**  
108-2184

**Application Specification:**  
114-13065

- UL 94-HB rated
- Resistant to a wide range of chemicals
- RoHS and ELV compliant



**Sealed Pin Housings 2-Row – Reversed Mounting Feature**

No. of Positions	PLR Color	Keying	Part Numbers	
			Pin (Cap) Housing	Mating Receptacle (Plug) Housing
2	Red	Key A	1717676-1	776494-1
	Gray	Key B	1717676-2	776494-2
	Yellow	Key C	1717676-3	776494-3
	Green	Key D	1717676-4	776494-4

2-Row Sealed Pin (Cap) Housings

**Technical Features**

**No. of Positions:**  
12 (2×6) Positions Assembly

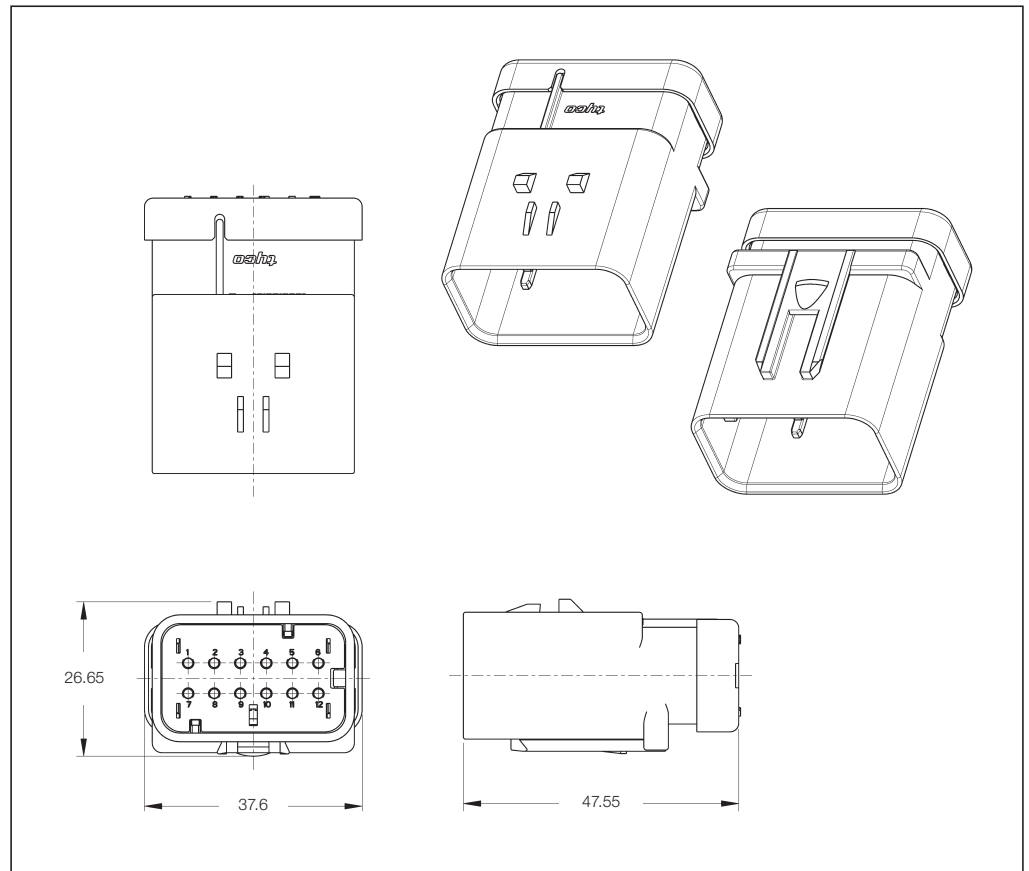
**Housing Material:**  
Glass Reinforced PBT

**Wire Size Range:**  
2.18–3.67 mm  
1.30–2.54 mm  
(with reduced diameter wire seal)

**Product Specification:**  
108-2184

**Application Specification:**  
114-13065

- UL 94-HB rated
- Resistant to a wide range of chemicals
- RoHS and ELV compliant



**Sealed Pin Housings 2-Row with Standard Diameter Wire Seal**

No. of Positions	PLR Color	Keying	Part Numbers	
			Pin (Cap) Housing	Mating Receptacle (Plug) Housing
12	Red	Key A	776438-1	776437-1
	Gray	Key B	776438-2	776437-2
	Yellow	Key C	776438-3	776437-3
	Green	Key D	776438-4	776437-4

**Sealed Pin Housings 2-Row with Reduced Diameter Wire Seal**

No. of Positions	PLR Color	Keying	Part Numbers	
			Pin (Cap) Housing	Mating Receptacle (Plug) Housing
12	Red	Key A	776539-1	776533-1
	Gray	Key B	776539-2	776533-2
	Yellow	Key C	776539-3	776533-3
	Green	Key D	776539-4	776533-4

2-Row Sealed Pin (Cap) Housings – Reversed Type

**Technical Features**

**No. of Positions:**

12 (2×6) Positions Assembly

**Housing Material:**

Glass Reinforced PBT

**Wire Size Range:**

2.18–3.67 mm  
1.30–2.54 mm  
(with reduced diameter wire seal)

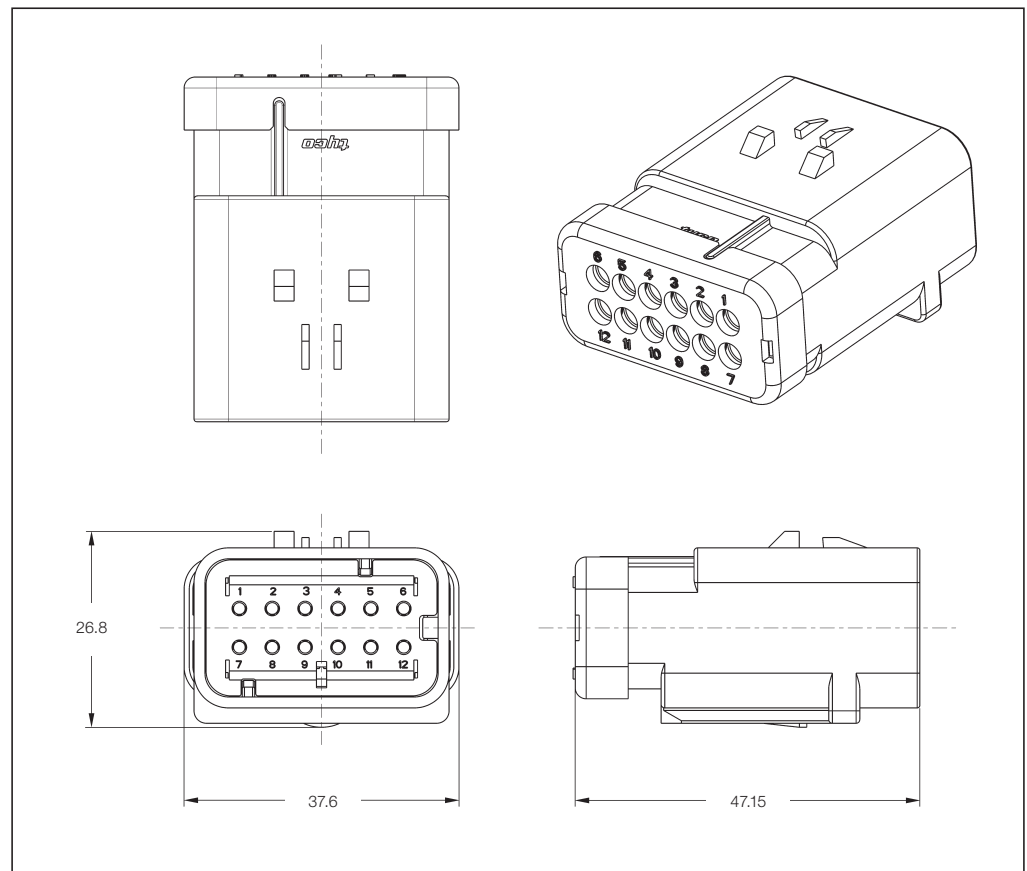
**Product Specification:**

108-2184

**Application Specification:**

114-13065

- UL 94-HB rated
- Resistant to a wide range of chemicals
- RoHS and ELV compliant



**Sealed Pin Housings 2-Row – Reversed Mounting Feature**

No. of Positions	PLR Color	Keying	Part Numbers	
			Pin (Cap) Housing	Mating Receptacle (Plug) Housing
12	Red	Key A	1717677-1	776437-1
	Gray	Key B	1717677-2	776437-2
	Yellow	Key C	1717677-3	776437-3
	Green	Key D	1717677-4	776437-4

**Sealed Pin Housings 2-Row – Reversed Type with Reduced Diameter Wire Seal**

No. of Positions	PLR Color	Keying	Part Numbers	
			Pin (Cap) Housing	Mating Receptacle (Plug) Housing
12	Red	Key A	1717934-1	776533-1
	Gray	Key B	1717934-2	776533-2
	Yellow	Key C	1717934-3	776533-3
	Green	Key D	1717934-4	776533-4

Vertical and 90° Backshells

**AMPSEAL 16**  
**Vertical and 90° Backshells**  
**for Commercial Vehicle**  
**Markets**



**Standard Height**

Description	Part Number
2 Position / 0° Exit / NC 08	2035047-1
3 Position / 0° Exit / NC 08	2035047-2
4 Position / 0° Exit / NC 08	2035047-3
6 Position / 0° Exit / NC 08	2035047-4
4 Position / 0° Exit / NC 12	2035047-5
6 Position / 0° Exit / NC 12	2035047-6
8 Position / 0° Exit / NC 12	2035047-7
12 Position / 0° Exit / NC 12	2035047-8
8 Position / 0° Exit / NC 16	2035047-9
12 Position / 0° Exit / NC 16	1-2035047-0
12 Position / 0° Exit / NC 20	1-2035047-1
2 Position / 90° Exit / NC 08	2035048-1
3 Position / 90° Exit / NC 08	2035048-2
4 Position / 90° Exit / NC 08	2035048-3
2 Position / 90° Exit / NC 12	2035048-5
3 Position / 90° Exit / NC 12	2035048-6
4 Position / 90° Exit / NC 12	2035048-7

**Note:** All Part Numbers are RoHS and ELV compliant.

**Low Profile**

Description	Type	Part Number
2 Position / 90° Exit / NC 08	Plug Type	2035366-1
	Cap Type	2098436-1
3 Position / 90° Exit / NC 08	Plug Type	2035366-2
	Cap Type	2098436-2
4 Position / 90° Exit / NC 08	Plug Type	2035366-7
	Cap Type	2098436-7
6 Position / 90° Exit / NC 08	Plug Type	2035366-8
	Cap Type	2098436-8
2 Position / 90° Exit / NC 12	Plug Type	2035366-3
	Cap Type	2098436-3
3 Position / 90° Exit / NC 12	Plug Type	2035366-4
	Cap Type	2098436-4
4 Position / 90° Exit / NC 12	Plug Type	2035366-9
	Cap Type	2098436-9
6 Position / 90° Exit / NC 12	Plug Type	1-2035366-0
	Cap Type	1-2098436-0

**Note:** All Part Numbers are RoHS and ELV compliant.

Backshell Matrix

No. of Positions	Conduit Size	Part Numbers					Type
		Standard Straight	Standard 90°	Low Profile 90°	Mating Connectors		
2	NC08 NW7.5	2035047-1*	2035048-1*	Plug Assy	5366-1	776427-ALL	
					776522-ALL	776428-ALL	
					8436-1		
3	NC08 NW7.5	2035047-2*	2035048-2*	Plug Assy	5366-2	776429-ALL	
					776523-ALL	776430-ALL	
					8436-2		
4	NC08 NW7.5	2035047-3*	2035048-3*	Plug Assy	5366-7	776487-ALL	
					776524-ALL	776488-ALL	
					8436-7		
6	NC08 NW7.5	2035047-4*	-	Plug Assy	5366-8	776433-ALL	
					776531-ALL	776434-ALL	
					8436-8		
2	NC12 NW10	-	-	Plug Assy	5366-3	776427-ALL	
					776522-ALL	776428-ALL	
					8436-3		
3	NC12 NW10	-	2035048-6*	Plug Assy	5366-4	776429-ALL	
					776523-ALL	776430-ALL	
					8436-4		
4	NC12 NW10	2035047-5*	2035048-7*	Plug Assy	5366-9	776487-ALL	
					776524-ALL	776488-ALL	
					8436-9		
6	NC12 NW10	2035047-6*	-	Cap Assy	1-2035366-0	776433-ALL	
					776531-ALL	Plug Assy	
					1-2098436-0	776434-ALL	Cap Assy
8	NC12 NW10	2035047-7*	-	Cap Assy	776494-ALL	776532-ALL	
					776495-ALL	Cap Assy	
					776538-ALL		
12	NC12 NW10	2035047-8*	-	Cap Assy	776437-ALL	776437-ALL	
					776533-ALL	Cap Assy	
					776438-ALL		
					776539-ALL		

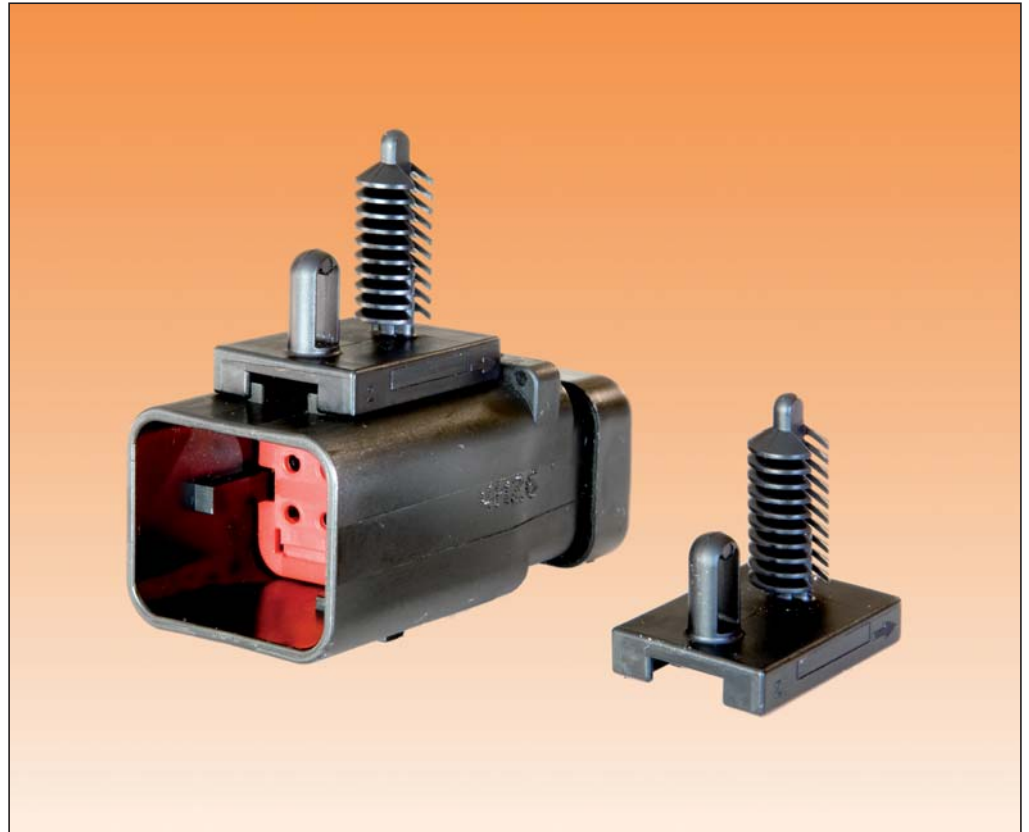
Backshell Matrix (continued)

No. of Positions	Conduit Size	Part Numbers					Type
		Standard Straight	Standard 90°	Low Profile 90°	Mating Connectors		
2	NC16 NW13	-	-	-	776427-ALL	Plug Assy	
					776522-ALL		
					776428-ALL	Cap Assy	
					776534-ALL		
3	NC16 NW13	-	-	-	776429-ALL	Plug Assy	
					776523-ALL		
					776430-ALL	Cap Assy	
					776535-ALL		
4	NC16 NW13	-	-	-	776487-ALL	Plug Assy	
					776524-ALL		
					776488-ALL	Cap Assy	
					776536-ALL		
6	NC16 NW13	-	-	-	776433-ALL	Plug Assy	
					776531-ALL		
					776434-ALL	Cap Assy	
					776537-ALL		
8	NC16 NW13	2035047-9*	-	-	776494-ALL	Plug Assy	
					776532-ALL		
					776495-ALL	Cap Assy	
					776538-ALL		
12	NC16 NW13	1-2035047-0*	-	-	776437-ALL	Plug Assy	
					776533-ALL		
					776438-ALL	Cap Assy	
					776539-ALL		
12	NC20 NW17	1-2035047-1*	-	-	776437-ALL	Plug Assy	
					776533-ALL		
					776438-ALL	Cap Assy	
					776539-ALL		

**Note:** \*) Backshell available only with latch window. Can be used for Cap Assembly if desired.

Mounting Clips

**AMPSEAL 16**  
**Mounting Clips**  
**for Commercial Vehicle**  
**Markets**



Description	Part Number
Mounting Clip with Anti-Rotational Feature	1924487-2
Mounting Clip without Anti-Rotational Feature	1924487-1

Please call your local Tyco Electronics representative for personal assistance or visit our website.

**Note:** All Part Numbers are RoHS and ELV compliant.

Numerical Index

Part Number	Page	Part Number	Page	Part Number	Page
638078-1	30-4, 30-6	776437-2	30-15, 30-26, 30-27	776524-4	30-12, 30-20
638078-3	30-4, 30-6	776437-3	30-15, 30-26, 30-27	776531-1	30-13, 30-22, 30-23
638112-1	30-4, 30-6	776437-4	30-15, 30-26, 30-27	776531-2	30-13, 30-22, 30-23
638112-3	30-4, 30-6	776438-1	30-26	776531-3	30-13, 30-22, 30-23
776297-1	30-4, 30-5	776438-2	30-26	776532-1	30-14, 30-24
776297-2	30-4, 30-5	776438-3	30-26	776532-2	30-14, 30-24
776298-1	30-4, 30-6	776438-4	30-26	776532-3	30-14, 30-24
776298-2	30-4, 30-6	776487-1	30-12, 30-20, 30-21	776532-4	30-14, 30-24
776299-1	30-4, 30-5	776487-2	30-12, 30-20, 30-21	776533-1	30-15, 30-26, 30-27
776299-2	30-4, 30-5	776487-3	30-12, 30-20, 30-21	776533-2	30-15, 30-26, 30-27
776300-1	30-4, 30-6	776487-4	30-12, 30-20, 30-21	776533-3	30-15, 30-26, 30-27
776300-2	30-4, 30-6	776488-1	30-12, 30-20	776533-4	30-15, 30-26, 30-27
776363-1	30-7	776488-2	30-12, 30-20	776534-1	30-10, 30-16
776364-1	30-7	776488-3	30-12, 30-20	776534-2	30-10, 30-16
776427-1	30-10, 30-16, 30-17	776488-4	30-12, 30-20	776534-3	30-10, 30-16
776427-2	30-10, 30-16, 30-17	776491-1	30-4, 30-5	776534-4	30-10, 30-16
776427-3	30-10, 30-16, 30-17	776491-2	30-4, 30-5	776535-1	30-11, 30-18
776427-4	30-10, 30-16, 30-17	776492-1	30-4, 30-5	776535-2	30-11, 30-18
776428-1	30-10, 30-16	776492-2	30-4, 30-5	776535-3	30-11, 30-18
776428-2	30-10, 30-16	776494-1	30-14, 30-24, 30-25	776535-4	30-11, 30-18
776428-3	30-10, 30-16	776494-2	30-14, 30-24, 30-25	776536-1	30-12, 30-20
776428-4	30-10, 30-16	776494-3	30-14, 30-24, 30-25	776536-2	30-12, 30-20
776429-1	30-11, 30-18, 30-19	776494-4	30-14, 30-24, 30-25	776536-3	30-12, 30-20
776429-2	30-11, 30-18, 30-19	776495-1	30-14, 30-24	776536-4	30-12, 30-20
776429-3	30-11, 30-18, 30-19	776495-2	30-14, 30-24	776537-1	30-13, 30-22
776429-4	30-11, 30-18, 30-19	776495-3	30-14, 30-24	776537-2	30-13, 30-22
776430-1	30-11, 30-18	776495-4	30-14, 30-24	776537-3	30-13, 30-22
776430-2	30-11, 30-18	776522-1	30-10, 30-16	776538-1	30-14, 30-15, 30-24
776430-3	30-11, 30-18	776522-2	30-10, 30-16	776538-2	30-14, 30-15, 30-24
776430-4	30-11, 30-18	776522-3	30-10, 30-16	776538-3	30-14, 30-15, 30-24
776433-1	30-13, 30-22, 30-23	776522-4	30-10, 30-16	776538-4	30-14, 30-15, 30-24
776433-2	30-13, 30-22, 30-23	776523-1	30-11, 30-18	776539-1	30-15, 30-26
776433-3	30-13, 30-22, 30-23	776523-2	30-11, 30-18	776539-2	30-15, 30-26
776434-1	30-13, 30-22	776523-3	30-11, 30-18	776539-3	30-15, 30-26
776434-2	30-13, 30-22	776523-4	30-11, 30-18	776539-4	30-15, 30-26
776434-3	30-13, 30-22	776524-1	30-12, 30-20	1717672-1	30-10, 30-17
776437-1	30-15, 30-26, 30-27	776524-2	30-12, 30-20	1717672-2	30-10, 30-17
		776524-3	30-12, 30-20	1717672-3	30-10, 30-17



Numerical Index

Part Number	Page	Part Number	Page	Part Number	Page
1717672-4	30-10, 30-17	1717975-1	30-13, 30-23	2035048-1	30-28, 30-29
1717673-1	30-11, 30-19	1717975-2	30-13, 30-23	2035048-2	30-28, 30-29
1717673-2	30-11, 30-19	1717975-3	30-13, 30-23	2035048-3	30-28, 30-29
1717673-3	30-11, 30-19	1924463-1	30-4, 30-6	2035048-5	30-28
1717673-4	30-11, 30-19	1924463-3	30-4, 30-6	2035048-6	30-28, 30-29
1717674-1	30-12, 30-21	1924464-1	30-4, 30-5	2035048-7	30-28, 30-29
1717674-2	30-12, 30-21	1924464-2	30-4, 30-5	2035366-1	30-28, 30-29
1717674-3	30-12, 30-21	1924487-1	30-31	2035366-2	30-28, 30-29
1717674-4	30-12, 30-21	1924487-2	30-31	2035366-3	30-28, 30-29
1717675-1	30-13, 30-23	1924579-1	30-4, 30-6	2035366-4	30-28, 30-29
1717675-2	30-13, 30-23	1924579-3	30-4, 30-6	2035366-7	30-28, 30-29
1717675-3	30-13, 30-23	1924580-1	30-4, 30-5	2035366-8	30-28, 30-29
1717676-1	30-14, 30-25	1924580-2	30-4, 30-5	2035366-9	30-28, 30-29
1717676-2	30-14, 30-25	2035047-1	30-28, 30-29	1-2035366-0	30-28, 30-29
1717676-3	30-14, 30-25	2035047-2	30-28, 30-29	2098436-1	30-28, 30-29
1717676-4	30-14, 30-25	2035047-3	30-28, 30-29	2098436-2	30-28, 30-29
1717677-1	30-15, 30-27	2035047-4	30-28, 30-29	2098436-3	30-28, 30-29
1717677-2	30-15, 30-27	2035047-5	30-28, 30-29	2098436-4	30-28, 30-29
1717677-3	30-15, 30-27	2035047-6	30-28, 30-29	2098436-7	30-28, 30-29
1717677-4	30-15, 30-27	2035047-7	30-28, 30-29	2098436-8	30-28, 30-29
1717934-1	30-15, 30-27	2035047-8	30-28, 30-29	2098436-9	30-28, 30-29
1717934-2	30-15, 30-27	2035047-9	30-28, 30-30	1-2098436-0	30-28, 30-29
1717934-3	30-15, 30-27	1-2035047-0	30-28, 30-30		
1717934-4	30-15, 30-27	1-2035047-1	30-28, 30-30		

**Disclaimer**

While Tyco Electronics and its affiliates referenced herein have made every reasonable effort to ensure the accuracy of the information contained in this catalog, Tyco Electronics cannot assure that this information is error free. For this reason, Tyco Electronics does not make any representation or offer any guarantee that such information is accurate, correct, reliable or current. Tyco Electronics reserves the right to make any adjustments to the information at any time. Tyco Electronics expressly disclaims any implied warranty regarding the information contained herein, including, but not limited to, the implied warranties of merchantability or fitness for a particular purpose. Tyco Electronics' only obligations are those stated in Tyco Electronics' Standard Terms and Conditions of Sale. Tyco Electronics will in no case be liable for any incidental, indirect or consequential damages arising from or in connection with, including, but not limited to, the sale, resale, use or misuse of its products. Users should rely on their own judgment to evaluate the suitability of a product for a certain purpose and test each product for its intended application.

In case of any potential ambiguities or questions, please don't hesitate to contact us for clarification.

[www.tycoelectronics.com](http://www.tycoelectronics.com)

[www.tycoelectronics.com/automotive](http://www.tycoelectronics.com/automotive)

AMP, AMPSEAL 16, TE (Logo) and Tyco Electronics are trademarks of the Tyco Electronics Group of Companies and its Licensors.

---

Engineering Notes

---

