

Peak Emission Wavelength: 560nm, 585nm, 635nm, 660nm

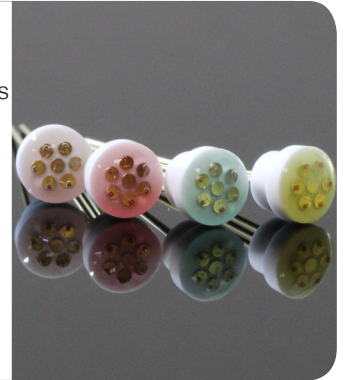
The MT106F-xxx is a high reliability multi-chip emitter designed for applications requiring various wavelengths or more than one die in a single package. These devices can be custom sorted for specific power output.

FEATURES

- > High Luminance / High Reliability
- > Wide Radiation Pattern / White Ceramic Base
- > Low Power Consumption
- > Alternate Electrical Configurations

APPLICATIONS

- > Currency Validation
- > Medical / Biofluorescence
- > General Indication
- > Push Button Backlight



Absolute Maximum Ratings (Ta=25°C)

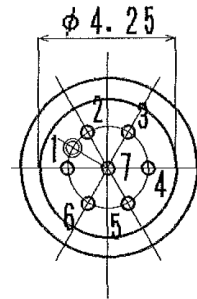
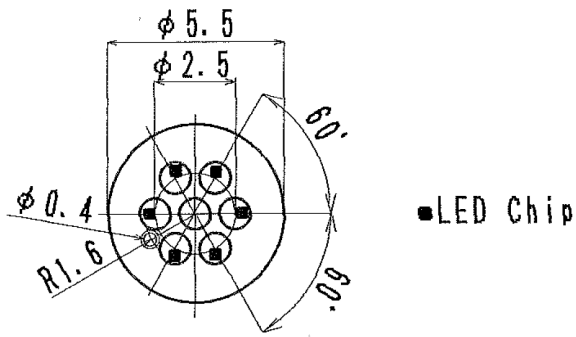


| ITEMS | SYMBOL | RATINGS | UNIT |
|------------------------------|--------|------------|------|
| Forward Current | IF | 15 | mA |
| Reverse Voltage | VR | 24 | V |
| Power Dissipation | PD | 240 | mW |
| Operating Temperature Range | Topr | -20 ~ +60 | °C |
| Storage Temperature Range | Tstg | -30 ~ +100 | °C |
| Lead Soldering Temperature*1 | Tls | 260 | °C |

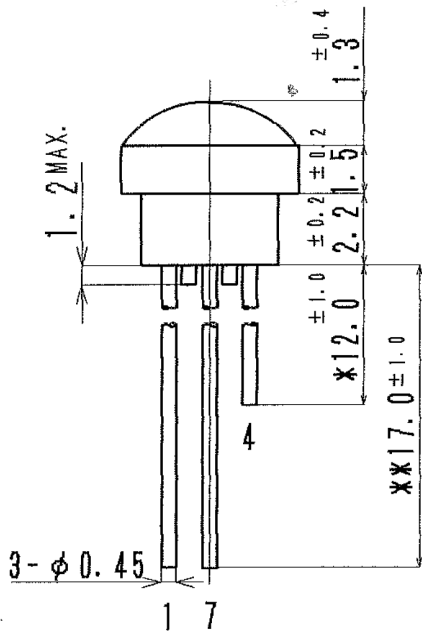
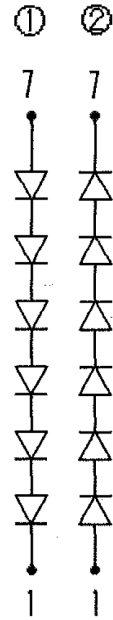
*1: Time 5 Sec max, Position: Up to 3mm from the body.

Electrical & Optical Characteristics (Ta = 25°C)

| PART NO. | IV (typ) @IF=10MA | VF(typ) @IF=10MA | VF(max) @IF=10MA | IR(max) @VR=24V | λp(typ) @IF=10MA | Δλ(typ) @IF=10MA | Circuit No |
|------------|----------------------|---------------------|---------------------|--------------------|---------------------|---------------------|------------|
| MT106F-UG | 50mcd | 12.0V | 14.4V | 100μA | 565nm | 30nm | (1) |
| MT106F-YL | 20mcd | 11.5V | 13.8V | 100μA | 585nm | 30nm | (1) |
| MT106F-HR | 25mcd | 11.0V | 13.2V | 100μA | 635nm | 35nm | (1) |
| MT106F-URD | 100mcd | 10.5V | 12.6V | 100μA | 660nm | 20nm | (2) |



No. 2, 3, 5, 6 PIN CUT
 ** No. 1, 7
 * No. 4



Unit: mm, Tolerance: ± 0.2

The information contained herein is subject to change without notice.

2013-06-05