

**PLEASE CHECK WWW.MOLEX.COM FOR LATEST PART INFORMATION**

**Part Number:** [0546791629](#)  
**Status:** **Active**  
**Description:** 1.25mm (.049") Pitch Small MGC (Multi-Ground Connector) Panel Mount Receptacle Housing Adapter, Polarizing Key 2.00mm (.079") Right From the Center

**Documents:**

[3D Model](#) [Product Specification PS-54678-007 \(PDF\)](#)  
[Drawing \(PDF\)](#) [RoHS Certificate of Compliance \(PDF\)](#)

**General**

Product Family	Accessories
Series	<a href="#">54679</a>
Component Type	Adapter
Product Name	Small MGC

**Physical**

Circuits (Loaded)	16
Color - Resin	Gray
Gender	Female
Material - Plating Mating	Gold
Material - Plating Termination	Tin
Material - Resin	Polyester
Number of Rows	2
Packaging Type	Tray
Plating min: Mating (µin)	4
Plating min: Mating (µm)	0.1
Plating min: Termination (µin)	40
Plating min: Termination (µm)	2
Polarized to Mating Part	Yes
Temperature Range - Operating	-20°C to +80°C
Termination Interface: Style	N/A, Through Hole

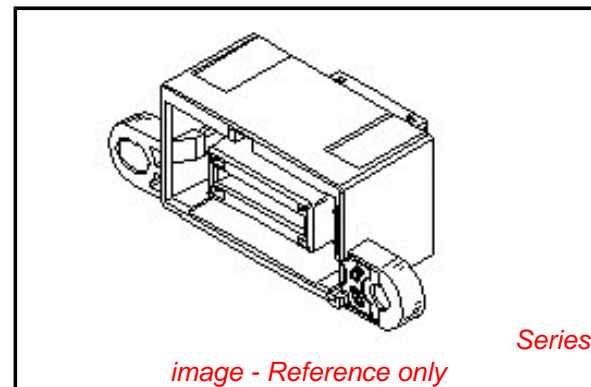
**Electrical**

Current - Maximum per Contact	1.5A
-------------------------------	------

**Material Info**

**Reference - Drawing Numbers**

Product Specification	PS-54678-007
Sales Drawing	SD-54679-004



*image - Reference only*

**EU RoHS**

**ELV and RoHS  
Compliant**  
**REACH SVHC  
Contains SVHC: No  
Halogen-Free  
Status**

**China RoHS**



**Need more information on product  
environmental compliance?**

Email [productcompliance@molex.com](mailto:productcompliance@molex.com)  
 For a multiple part number RoHS Certificate of Compliance, [click here](#)

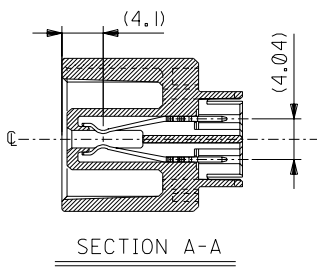
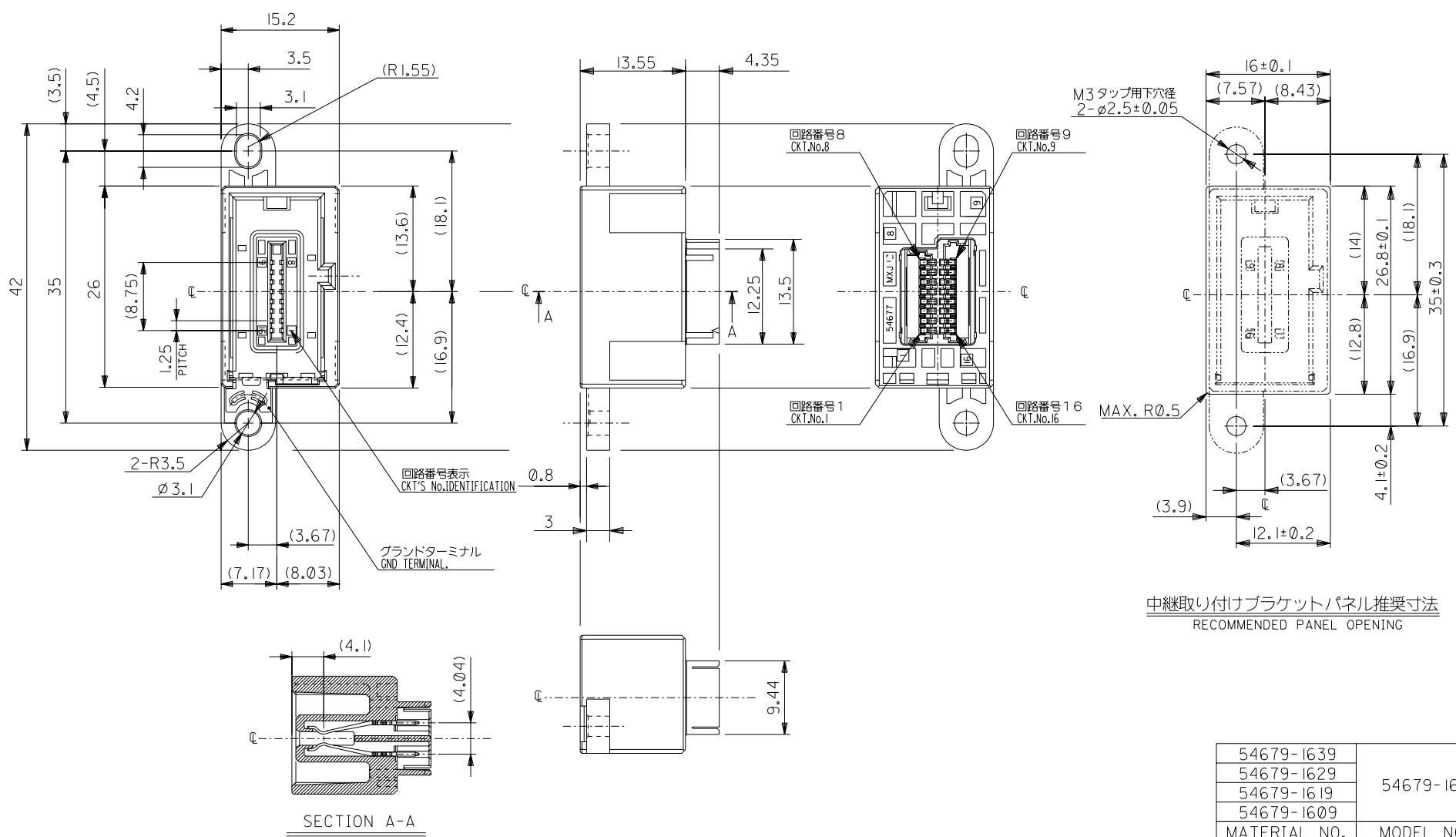
Please visit the [Contact Us](#) section for any non-product compliance questions.

**Search Parts in this Series**

[54679Series](#)

**Use With**

[54596 Series](#)



54679-1639	54679-16*9
54679-1629	
54679-1619	
54679-1609	
MATERIAL NO.	MODEL NO.

DO NOT SCALE DRAWING

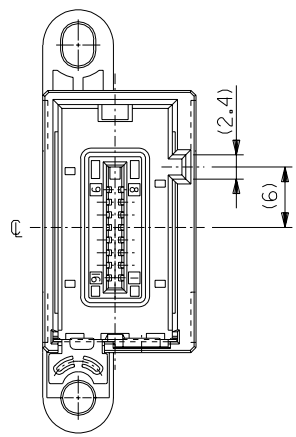
EC NO. DRWN: CHK: APPR:	EC NO. DRWN: CHK: APPR:	EC NO. DRWN: CHK: APPR:	EC NO. DRWN: CHK: APPR:
RELEASED EC NO. J2004-3693 DRWN: H.KAWABATA 04/04/08 CHK: K.TOJO 04/04/08 APPR: M.SASAO 04/04/08			

MATERIAL 材料	SEE NOTES
FINISH 仕上げ	SEE NOTES
WIRE RANGE 適用電線範囲	—
INS. RANGE 被覆外径	—

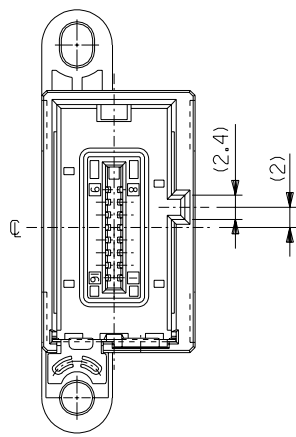
GENERAL TOLERANCES: (UNLESS SPECIFIED) 一般公差	SCALE 2:1	DESIGN UNITS <input checked="" type="checkbox"/> mm <input type="checkbox"/> INCH
10 UNDER 未満	±0.2	DRAWN BY & DATE H.KAWABATA 04/04/08 CHECKED BY & DATE K.TOJO 04/04/08 APPROVED BY & DATE M.SASAO 04/04/08 CAD FILENAME SD-54679-004.S01
10 OVER 30 UNDER 未満	±0.25	
30 OVER 以上	±0.3	
ANGLE 角度	±3°	

THIRD ANGLE PROJECTION	DIMENSIONS: <input type="checkbox"/> mm <input type="checkbox"/> INCH <input checked="" type="checkbox"/> mm ONLY	SHT REV
TITLE: SMALL MGC PANEL MOUNT REC.HS'G ASS'Y	MATERIAL NO. DRAWING NO. SD-54679-004	1 OF 2 SHEET NO.
MOLEX INCORPORATED		SIZE B
THIS DRAWING CONTAINS INFORMATION THAT IS PROPRIETARY TO MOLEX INCORPORATED AND SHOULD NOT BE USED WITHOUT WRITTEN PERMISSION.		

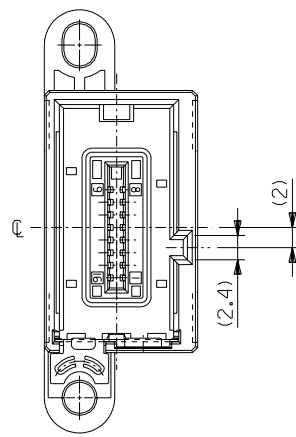
54679-1609



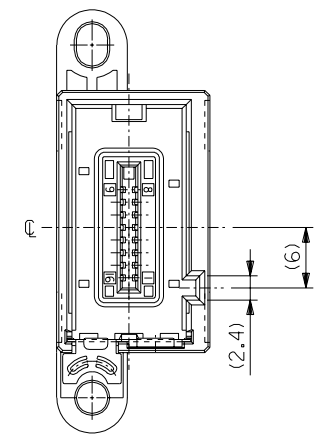
54679-1619



54679-1629



54679-1639



NOTE :

1. 適合リセプタクル (Mini Mil CONNECTOR) APPLICABLE RECEPTACLE

圧接ハウジングアッセンブリ : 54596シリーズ  
 IDT RECEPTACLE HOUSING ASS'Y : 54596シリーズ  
 : 54596シリーズ

2. 材質 MATERIAL

ハウジング : ガラス入りPBT, UL94V-0 灰色  
 HOUSING: PBT, G.F. UL94V-0 GRAY  
 ターミナル : 燐青銅  
 TERMINAL: PHOSPHOR BRONZE  
 グランドターミナル : 燐青銅  
 GROUND TERMINAL: PHOSPHOR BRONZE

3. メッキ仕様 PLATING

ターミナル TERMINAL

金メッキ GOLD

錫メッキ TIN

半光沢ニッケルメッキ NICKEL

グラウンドターミナル GROUND TERMINAL

錫メッキ TIN

: 0.1  $\mu$ m MIN. (接点部)  
 : 0.1 MICROMETER MINIMUM.(CONTACT AREA)  
 : 1.0  $\mu$ m MIN. (リセプタクル嵌合部)  
 : 1.0 MICROMETER MINIMUM.(RECEPTACLE CONNECTED AREA)  
 : 2.0  $\mu$ m MIN. (下地メッキ)  
 : 2.0 MICROMETER MINIMUM.(UNDER PLATING)  
 : 0.9  $\mu$ m MIN. (リフローメッキ)  
 : 0.9 MICROMETER MINIMUM.(REFLOW TREATMENT)

DO NOT SCALE DRAWING

EC NO. DRWN: CHK: APPR:	EC NO. DRWN: CHK: APPR:	EC NO. DRWN: CHK: APPR:	EC NO. DRWN: CHK: APPR:	EC NO. DRWN: CHK: APPR:	EC NO. DRWN: CHK: APPR:
0					

DESCRIPTION	MATERIAL 材料	#
FINISH 仕上げ		#
WIRE RANGE 適用電線範囲		#
INS. RANGE 被覆外径		#

GENERAL TOLERANCES: (UNLESS SPECIFIED) 一般公差	10 UNDER 未満	±0.2
	10 OVER 30 UNDER 以上 未満	±0.25
	30 OVER 以上	±0.3
ANGLE 角度		±3°

MODEL NO. 54697-16*9	DIMENSIONS: THIRD ANGLE PROJECTION <input type="checkbox"/> mm <input type="checkbox"/> INCH <input checked="" type="checkbox"/> mm ONLY	SHT REV
SCALE 2:1	DESIGN UNITS <input checked="" type="checkbox"/> mm <input type="checkbox"/> INCH	REVISIONS CAD ONLY
DRAWN BY & DATE H.KAWABATA '04/04/08	TITLE: SMALL MGC PANEL MOUNT REC.HS'G ASS'Y -LEAD FREE-	
CHECKED BY & DATE K.TOJO '04/04/08	MOLEX MOLEX INCORPORATED	
APPROVED BY & DATE M.SASAO '04/04/08	MATERIAL NO. SEE CHART	DRAWING NO. SD-54679-004
CAD FILENAME SD-54679-004.S02		SHEET NO. 2 OF 2
THIS DRAWING CONTAINS INFORMATION THAT IS PROPRIETARY TO MOLEX INCORPORATED AND SHOULD NOT BE USED WITHOUT WRITTEN PERMISSION.		
		SIZE B