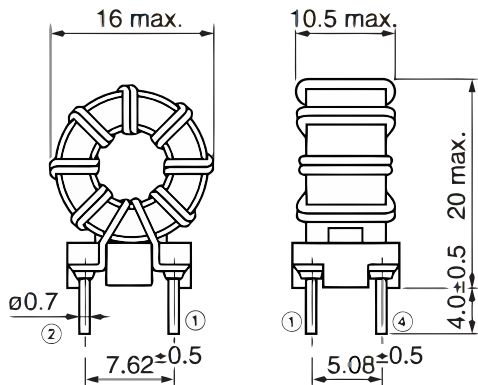


**KEMET Part Number: ST-202A**  
(UDLST00202A000)

KEMET, ST, DC Line Filters, Common Mode



**Dimensions**

|           |                 |
|-----------|-----------------|
| <b>L</b>  | 16mm MAX        |
| <b>W</b>  | 10.5mm MAX      |
| <b>LL</b> | 4mm +/-0.5mm    |
| <b>S</b>  | 5.08mm +/-0.5mm |

**Packaging Specifications**

|                            |           |
|----------------------------|-----------|
| <b>Packaging:</b>          | Tray, Box |
| <b>Packaging Quantity:</b> | 480       |
| <b>Weight:</b>             | 3.37 g    |

**General Information**

|                       |   |
|-----------------------|---|
| <b>Series:</b>        | ST  |
| <b>Style:</b>         | Through-Hole  |
| <b>RoHS:</b>          | Yes   |
| <b>Miscellaneous:</b> | FM Band, Frequency Range: 7 To 100 MHz, Impedance: 600 Ohms (100 MHz) |

**Specifications**

|                           |           |
|---------------------------|-----------|
| <b>Voltage DC:</b>        | 50 VDC    |
| <b>Temperature Range:</b> | -20/+65°C |
| <b>DC Resistance:</b>     | 50 Ohms   |