

PLEASE CHECK WWW.MOLEX.COM FOR LATEST PART INFORMATION

Part Number: [0003122121](#)
Status: **Active**
Description: 3.18mm (.125") Diameter, HCS-125 Pin and Socket Plug Housing, 12 Circuits, 3 Row, With Panel Mount Ears

Documents:

[3D Model](#) [RoHS Certificate of Compliance \(PDF\)](#)
[Drawing \(PDF\)](#)

Agency Certification

UL E29179

General

Product Family Crimp Housings
 Series [2201](#)
 Product Name HCS-125

Physical

Circuits (maximum) 12
 Color - Resin Natural
 Flammability 94V-2
 Gender Dual
 Glow-Wire Compliant No
 Material - Resin Nylon
 Number of Rows 3
 Packaging Type Bag
 Panel Mount Yes
 Pitch - Mating Interface (in) 0.260 In
 Pitch - Mating Interface (mm) 6.60 mm
 Stackable No
 Temperature Range - Operating -40°C to +105°C

Material Info

Old Part Number 2201-P

Reference - Drawing Numbers

Sales Drawing SD-2201-*

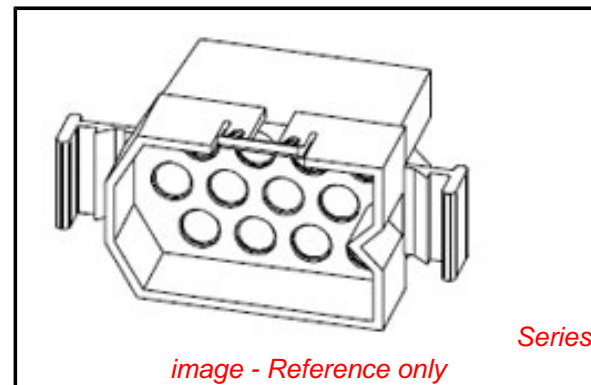


image - Reference only

EU RoHS

**ELV and RoHS
 Compliant**
**REACH SVHC
 Contains SVHC: No**
**Halogen-Free
 Status**
Not Reviewed

China RoHS



**Need more information on product
 environmental compliance?**

Email productcompliance@molex.com
 For a multiple part number RoHS Certificate of
 Compliance, [click here](#)

Please visit the [Contact Us](#) section for any
 non-product compliance questions.

Search Parts in this Series

[2201Series](#)

Mates With

[2201r](#)

Use With

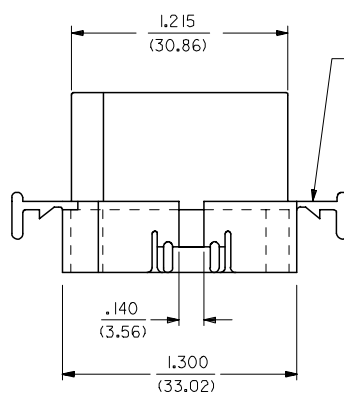
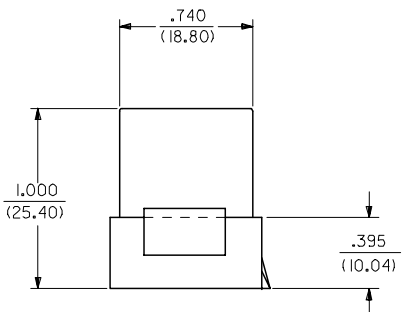
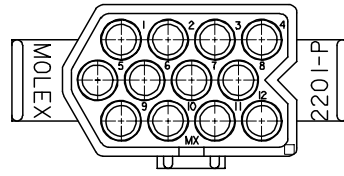
[8947](#) , [1900](#) male crimp terminals, [1901](#) ,
[2046](#) , [2047](#) , [42546](#) , [42547](#) , [42554](#) , [42555](#)
 , [8946](#)

PLEASE CHECK WWW.MOLEX.COM FOR LATEST PART INFORMATION

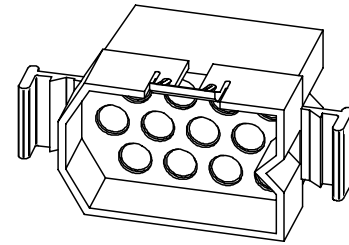
13 12 11 10 9 8 7 6 5 4 3 2 1

J
I
H
G
F
E
D
C
B
A

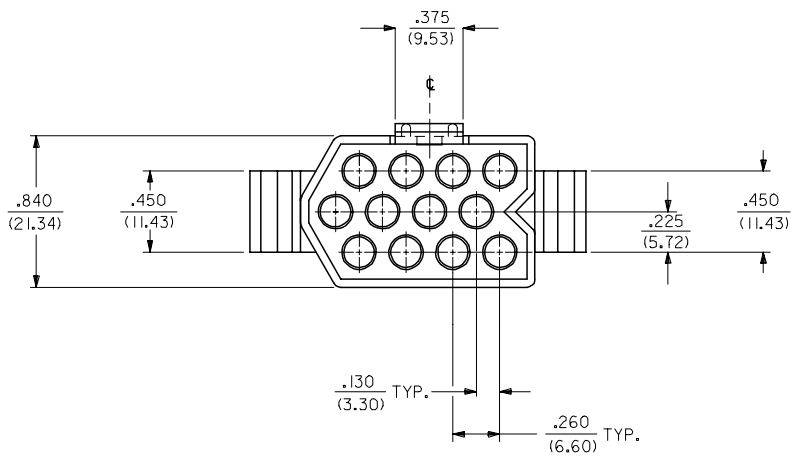
J
I
H
G
F
E
D
C
B
A



MOUNTING EAR (2 PL.)
(WHEN SPECIFIED)
SEE SHT. 3



PLUG 2201-P



UPDATE TITLE BLOCK	QUALITY SYMBOLS
FC NO: UCP2007-0022	▽=0
DRW:NAELHAG	▽=0
CHKD:LSHMI DT	
APPR:FSM TH	
REV	DESCRIPTION

GENERAL TOLERANCES (UNLESS SPECIFIED)	
mm	INCH
4 PLACES ± .010	± .004
3 PLACES ± .014	± .005
2 PLACES ± 0.25	± .010
1 PLACE ± 0.35	± .014
ANGULAR ±1/2°	
DRAFT WHERE APPLICABLE MUST REMAIN WITHIN DIMENSIONS	

DIMENSION STYLE	
IN/MM	
DRAWN BY	DATE
GEP	7/23/87
CHECKED BY	DATE
RW	7/23/87
APPROVED BY	DATE
RAS	7/23/87
MATERIAL NO.	
SEE CHART	

SCALE 1:1	DESIGN UNITS INCH	THIRD ANGLE PROJECTION
12 CIRCUIT HOUSING PLUG & RECEPTACLE		
MOLEX INCORPORATED		
MATERIAL NO.	DOCUMENT NO.	SHEET NO.
	SD-2201-*	1 OF 3
THIS DRAWING CONTAINS INFORMATION THAT IS PROPRIETARY TO MOLEX INCORPORATED AND SHOULD NOT BE USED WITHOUT WRITTEN PERMISSION		

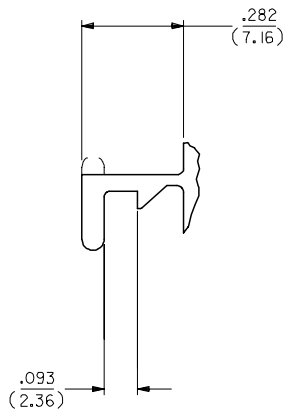
12 11 10 9 8 7 6 5 4 3 2 1

13 12 11 10 9 8 7 6 5 4 3 2 1

PLUG

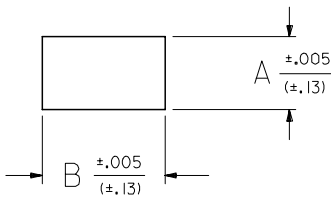
RECEPTACLE

PART NO.	ENG. NO.	DESCRIPTION	PART NO.	ENG. NO.	DESCRIPTION
03-12-2121	2201-P	PLUG WITH STANDARD EARS (DETAIL I)	03-12-1121	2201-R	RECEPTACLE WITH STANDARD EARS (DETAIL I)



DETAIL I
STANDARD MOUNTING EAR
SCALE 4:1

MOUNTING PANEL OPENING		
HOUSING	DIM. "A"	DIM. "B"
PLUG	.855/(21.72)	1.460/(37.08)
RECEPTACLE	.810/(20.57)	1.360/(34.54)



NOTES:

- 1) MATERIAL: NYLON TYPE 6/6, 94V-2, NATURAL.
- 2) FINISH: N/A
- 3) PRODUCT SPECS: NONE.
- 4) PACKAGING SPECS: BULK PACK PER PK-2201-001.
- 5) FOR USE WITH .125/(3.18) DIA. SERIES TERMINALS.
- 6) MAXIMUM PANEL THICKNESS .090/(2.29).

ADD NOTES 2, 3&4 EC NO: UCP2007-0022 DRAWN: AELHAG 2006/07/21 CHKD: LSJHMT 2006/07/21 APPR: FSM TH 2006/07/21 REV: DESCRIPTION	QUALITY SYMBOLS	GENERAL TOLERANCES (UNLESS SPECIFIED)	DIMENSION STYLE	SCALE	DESIGN UNITS	THIRD ANGLE PROJECTION
	=0 =0	mm INCH 4 PLACES ± --- ± --- 3 PLACES ± --- ± .010 2 PLACES ± 0.25 ± .014 1 PLACE ± 0.35 ± --- ANGULAR ±1/2°	IN/MM	1:1	INCH	
			DRAWN BY	DATE	TITLE	
			CHECKED BY	DATE		
		APPROVED BY	DATE			
		MATERIAL NO.				
		DRAFT WHERE APPLICABLE MUST REMAIN WITHIN DIMENSIONS	SEE CHART	SD-2201-*		
			SIZE			

12 CIRCUIT HOUSINGS,
PLUG AND RECEPTACLE,
.125 DIA.

molex MOLEX INCORPORATED

DOCUMENT NO. SD-2201-* SHEET NO. 3 OF 3

THIS DRAWING CONTAINS INFORMATION THAT IS PROPRIETARY TO MOLEX INCORPORATED AND SHOULD NOT BE USED WITHOUT WRITTEN PERMISSION

12 11 10 9 8 7 6 5 4 3 2 1