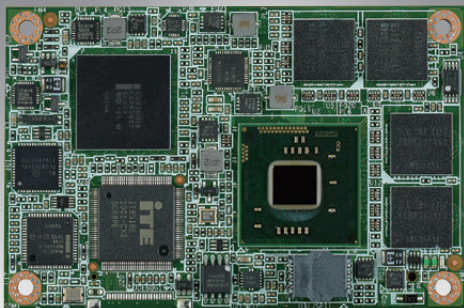


SOM-7565 A2

Intel® Atom™ Processor N2600/N2800
COM Express® Mini Module

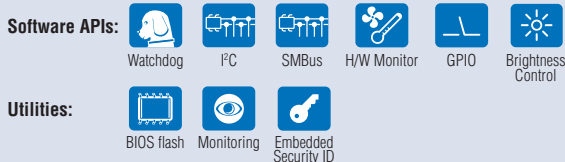
NEW



iManager susiAccess  CE FC

Features

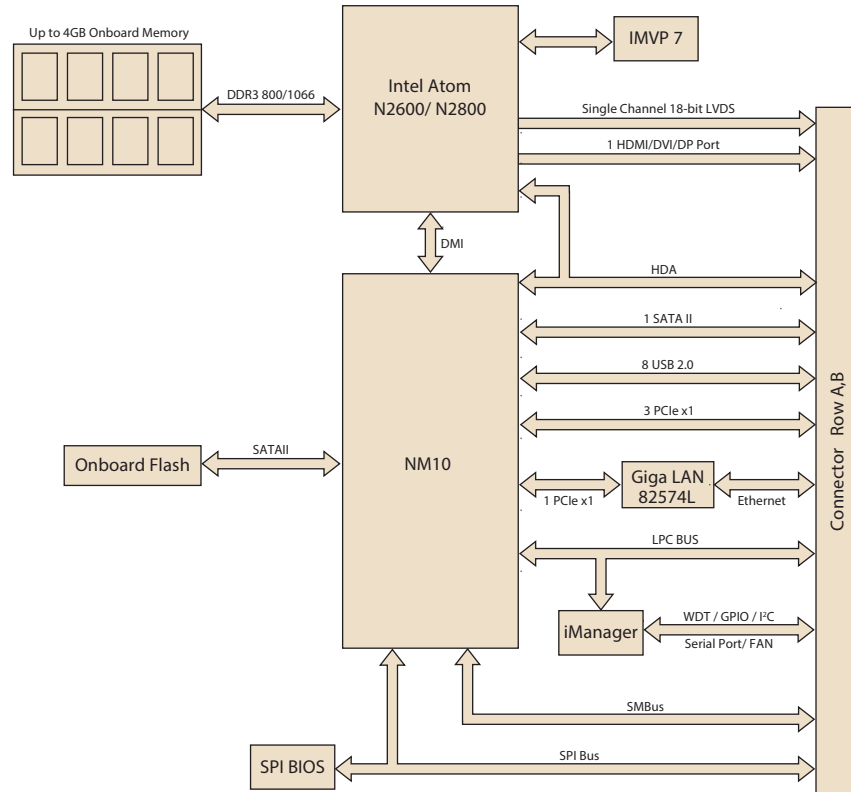
- Embedded Intel® Atom™ Processor N2800/N2600 + NM10
- Intel® GMA3650 supports DX9 and OGL 3.0, MPEG2/VC1/H.264 HW Decoder
- Supports onboard memory 1066/800 up to 4GB/2GB
- Supports onboard flash up to MLC 8G
- Supports 3 PCIe x1, 1 GbE, 1 SATA, 8 USB2.0, LPC, SMBus, I²C Bus
- Supports iManager, SUSIAccess and Embedded Software APIs



Specifications

Form Factor		COM Express® R2.1 Mini Module, Pin-out Type 10
Processor System	CPU	Intel® Atom™ Processor N2800 1.86GHz, 2 x 512 KB L2 Cache Intel® Atom™ Processor N2600 1.6GHz, 2 x 512 KB L2 Cache
	System Chipset	NM10
	BIOS	AMI EFI 16Mb
Memory	Technology	N2800: DDR3 1066, N2600: DDR3 800 N2800: Up to 4GB, N2600: Up to 2GB
	Max. Capacity	Onboard up to 4GB
Display	Chipset	Intel® Gfx integrated in Atom™ Processor
	Graphic Engine	Intel® GMA3650 640MHz for N2800, GMA3600 400MHz for N2600, supports DX9, OGL 3.0, MPEG2/VC1/H.264 HW Decoder
	LVDS	18-bit up to 1366 x 768
	DDI	1 port shared, HDMI/DVI up to 1920 x 1200, DP up to 1600 x 1200
Ethernet	Dual Display	LVDS + HDMI/DVI/DP
	Chipset	Intel® 82574L Gigabit Ethernet
WatchDog Timer	Speed	10/100/1000 Mbps
		65536 level timer interval, from 0~65535 sec, multi-level, multi-option watchdog timer
Expansion		3 PCIe x1, LPC, SMBus, I ² C Bus
I/O	SATA	1 port, SATAII 3.0Gb/s compliant (2 port optional while remove onboard flash)
	Onboard Flash	MLC 4GB/8GB or SLC 4GB
	USB	8 USB 2.0
	Audio	High definition audio interface
	GPIO	8-bit GPIO
Power	Power Type	ATX, AT
	Power Supply Voltage	ATX mode: Vin: 4.75 ~ 20V, VSB: 4.75 ~ 5.25V (Note: Vin must >= VSB) AT mode: Vin: 4.75 ~ 20V
	Power Consumption (Typical)	N2600: 7.0W @ Vin=12V N2800: 8.0W @ Vin=12V
	Power Consumption (Max, test in Burn-in Test V6.0 Pro)	N2600: 8.6W @ Vin=12V N2800: 9.5W @ Vin=12V
Environment	Temperature	Operating: 0 ~ 60° C (32 ~ 140° F) Storage: -40 ~ 85° C (-40 ~ 185° F)
	Humidity	Operating: 40° C @ 95% relative humidity, non-condensing Storage: 60° C @ 95%relative humidity, non-condensing
Mechanical	Dimensions	84 x 55 mm (3.3" x 2.17")

Block Diagram



Ordering Information

P/N	CPU	L2 Cache	Chipset	On board Memory	On board Flash	LVDS	HDMI/ DVI/ DP	PCIe x1	HD Audio	GbE	SATAII	USB 2.0	LPC	SMBus	Thermal Solution	Operation Temp.
SOM-7565S4-S6A2E	N2600	1 MB	NM10	2 GB	SLC 4 GB	18-bit	1	3	Yes	1	1	8	Yes	Yes	Passive	0 ~ 60° C
SOM-7565S0-S6A2E	N2600	1 MB	NM10	2 GB	None	18-bit	1	3	Yes	1	1	8	Yes	Yes	Passive	0 ~ 60° C
SOM-7565S0Z-S6A2E	N2600	1 MB	NM10	2 GB	None	18-bit	1	3	Yes	1	1	8	Yes	Yes	Passive	-20 ~ 80° C
SOM-7565S0Z2-S6A2E	N2600	1 MB	NM10	2 GB	None	18-bit	1	3	Yes	1	1	8	Yes	Yes	Passive	-40 ~ 85° C
SOM-7565M4-S6A2E	N2600	1 MB	NM10	2 GB	MLC 4 GB	18-bit	1	3	Yes	1	1	8	Yes	Yes	Passive	0 ~ 60° C
SOM-7565M8-S8A2E	N2800	1 MB	NM10	4 GB	MLC 8 GB	18-bit	1	3	Yes	1	1	8	Yes	Yes	Passive	0 ~ 60° C

Note: Passive = fanless; Active = with fan

Development Board

Part No.	Description
SOM-DB5800-U0A2E	COM Express® Development Board A2 for Type 10

Packing List

Part No.	Description	Quantity
-	SOM-7565 CPU Module	-
1960055344N001	Heatspreader	1

Optional Accessories

Part No.	Description
1960056280N001	Semi-Heatsink 84L x 55W x 13.2H mm (0 ~ 60° c)
96LEDK-I057VG50NA1	5.7" LED PANEL 500N 640 x 480(G)
96LEDK-A084SV45NB2	8.4" LED PANEL 450N 800 x 600(G) G084SN05 V9 (V901)

Embedded OS

OS	Part Number	Description
WES7P	2070011201	WES7P SP1 x32 SOM-7565 V5.1.9 ENG
XPE	2070011778	XPE WES2009 SOM-7565 V4.3 ENG