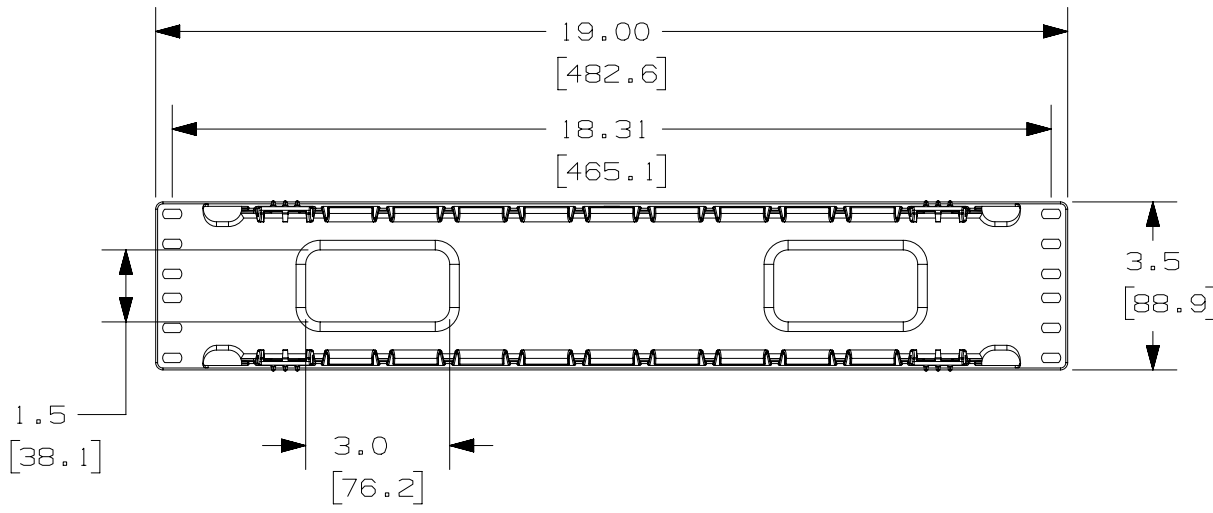


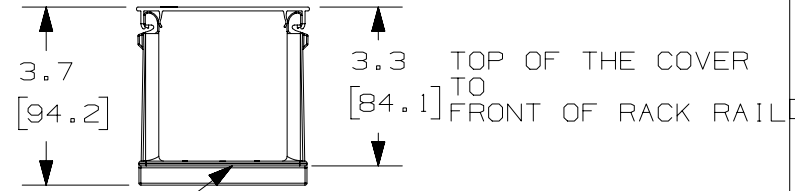
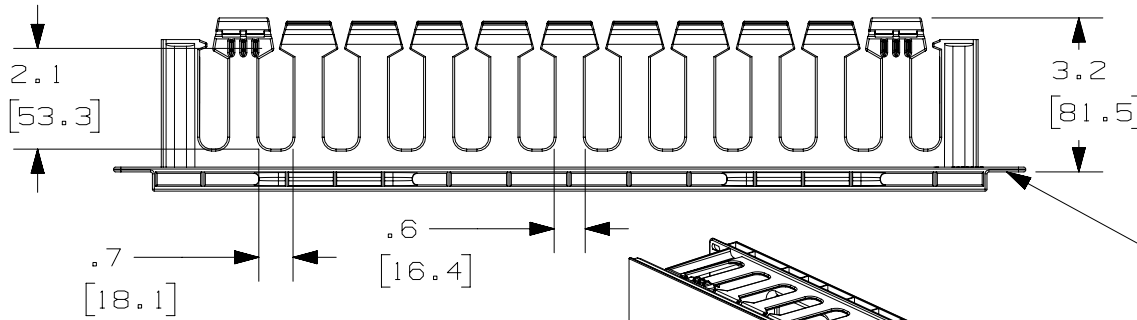
THIS COPY IS PROVIDED ON A RESTRICTED BASIS AND IS NOT TO BE USED IN ANY WAY DETRIMENTAL TO THE INTERESTS OF PANDUIT CORP.



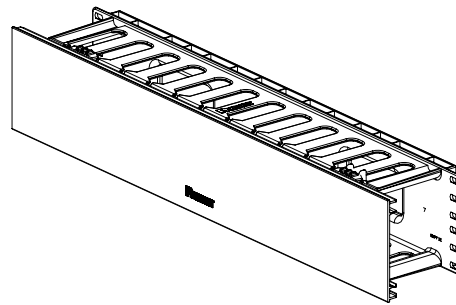
PANDUIT P/N	WEIGHT
WMPF1E	1.2 LBS/EACH 544 g/EACH

NOTES:

- DESIGNED FOR MOUNTING ON 19" EIA RACKS.
- COMPONENTS:  
1- MANAGER  
1- 17" X 3.6" DUAL HINGED COVER  
4- #12-24 X 1/2" SCREWS
- DIMENSIONS IN PARENTHESES ARE METRIC.



SURFACE IN CONTACT WITH FRONT OF THE RACK RAIL



TITLE						<b>WMPF1E HORIZONTAL MANAGER</b>					
CUSTOMER DRAWING											
ITEM REVISION NAME						V10101AB/08					
DATASET FILE NAME						V10101AB_DC/08A					
UNLESS OTHERWISE SPECIFIED, DIMENSIONAL TOLERANCES ARE: IN (mm)						<b>PANDUIT</b>					
.X ± .XX ±											
THIRD ANGLE PROJECTION						MATERIAL: <b>ABS</b>					
DRAWING NUMBER: V10101AB-DC						SHT 1 OF 1					
DRAWN BY		DATE		CHK		SCALE		SIZE			
JDWE		12-17-02		MECA		NONE		A			

REV	DATE	BY	CHK	APR	DESCRIPTION	ECN
08A	11-29-17	TWV	JEFK	JEFK	REMOVED PART NUMBER WMPF1E-X	V10101AB-DC
07A	3-26-15	TWV	MACA	KRKE	BOM ADJUSTMENT; REVISED NOTES.	V10101AB-DC
06F	4-22-13	BAME	RYB	CMK	REVISED AND REDRAWN; ALL PREVIOUS REVS OMITTED REVISED TITLE BLOCK	V10101AB-DC

D10100DA/15