



VLED-150W-HV Series
347-480V Input, Fixed & Dimmable Output
 Switch Mode LED Drivers
 Constant Current with Isolation
 Aluminum Housing

Electrical Specifications

Input Voltage Range: 347-480 Nom. Vac (312-512 V Min/Max)
 Frequency: 50/60 Hz Nom. (47-63 Hz Min/Max)
 Power Factor: >0.90 @ 75-100% load, 347-480V
 Inrush Current: 20 Amps max @ 480Vac, cold start 25°C
 Input Current: 0.70A max @ 347Vac, 0.42A max @ 480Vac
 Maximum Power: 150W
 Line Regulation: ± 1%
 Load Regulation: ± 3%
 THD: ≤ 20% @ 75-100% load, 347-480V
 Leakage Current: 1 mA @ 480VAC, 60Hz
 Typical Efficiency 89-91% at 347VAC
 Turn-on Delay: 1S max
 Protection: Over-Voltage, Over-Temperature (105°C), and Short Circuit Protection

Environmental Specifications

Minimum Starting Temp: -40°C
 Storage Temperature: -40°C to +85°C
 Humidity: 5% to 100%
 Cooling: Convection
 Sound Rating: Class A
 MTBF: 250,000 Hours @ 480VAC input, 80% load and 25°C ambient conditions per MIL-HDBK-217F
 Lifetime: 145,700 Hours @ 480Vac, 80% load and 45°C ambient
 Weight: 2.87 lbs. (1300g)



- Total Power: 150 Watts
- Input Voltage: 347-480 Vac Nom.
- UL Dry & Damp Location Rated
- IP67
- High Power Factor
- UL8750, EN61347

Ordering Options:

-D: 0-10V dimmable version comes with an extra three wires Purple/Gray/Blk-Wht on the output side. Dimming is compatible with most quality 0-10V wall dimmers and direct 0-10V analog signal. See page 3 for additional specifications.

Constant Current - Product Specifications

Model Number	Output Current (mA ±5%)	Output Voltage Range (Vdc)	Max. Output Power (W)	Typical Efficiency
VLED150W-258-C0580-X-HV	580	129-258	150	91%
VLED150W-214-C0700-X-HV	700	107-214	150	91%
VLED150W-142-C1050-X-HV	1050	71-142	150	90%
VLED150W-107-C1400-X-HV	1400	53-107	150	90%
VLED150W-071-C2100-X-HV	2100	36-71	150	90%
VLED150W-054-C2800-X-HV	2800	27-54	150	90%
VLED150W-043-C3500-X-HV	3500	21-43	150	89%
VLED150W-036-C4200-X-HV	4200	18-36	150	89%

-X indicates dimming options are available. See options at left. Blank = fixed current output

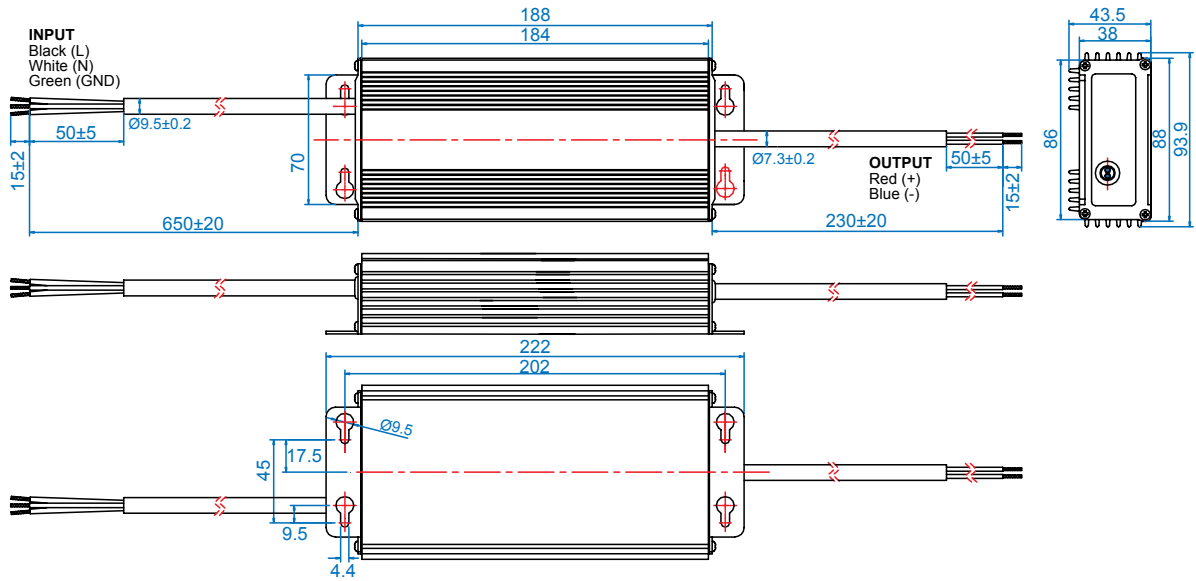
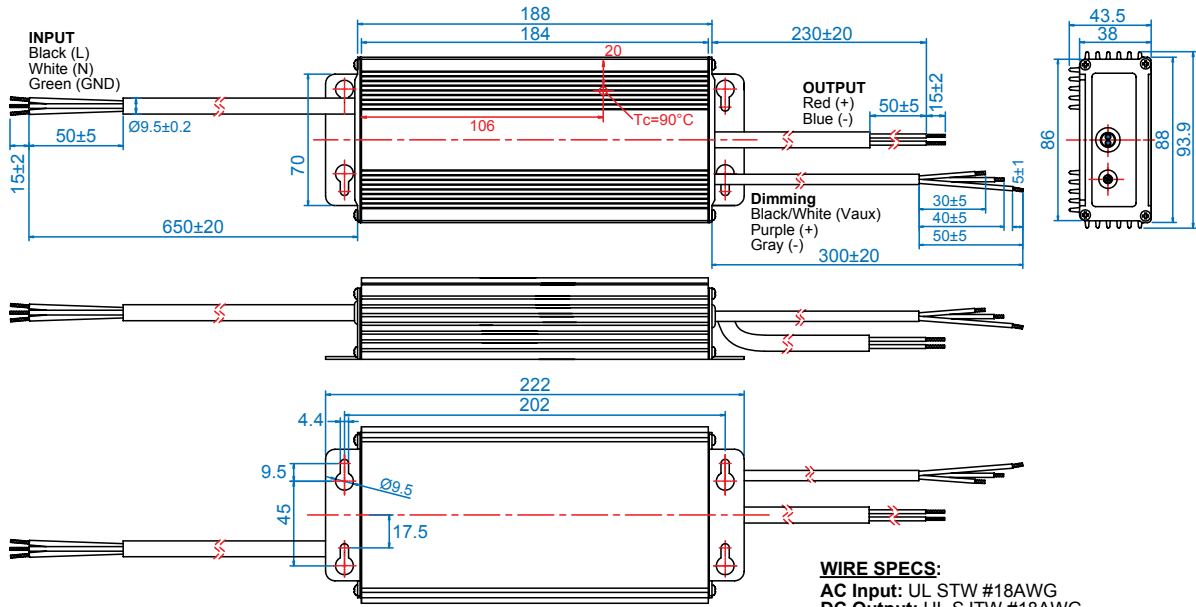


Note:
 LED drivers are designed and intended to operate LED loads only. Non-LED loading may be outside the specified design limits of our LED drivers, and therefore cannot be covered by any warranty. If you desire to use our LED drivers to operate non-LED loads please contact us to discuss compatibility.

Specifications subject to change without notice.

Rev 8-25-15

Dimensions - mm

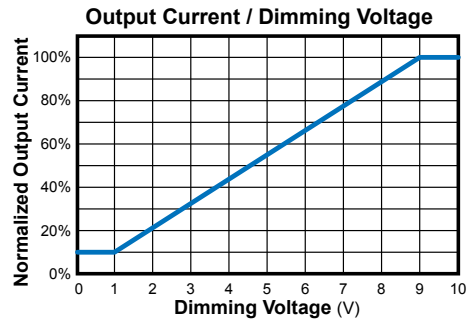
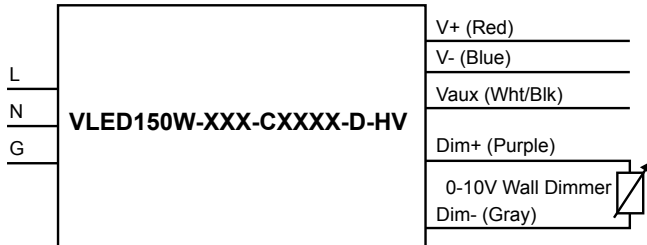


Safety and EMC Compliance	
UL/CUL	UL8750, UL1012, UL935, CSA-C22.2 No. 107.1-01
FCC Part 15	ANSI C63.4:2009 Class B

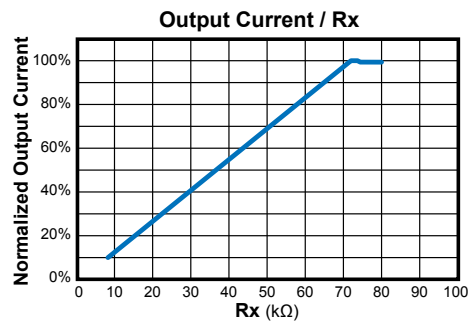
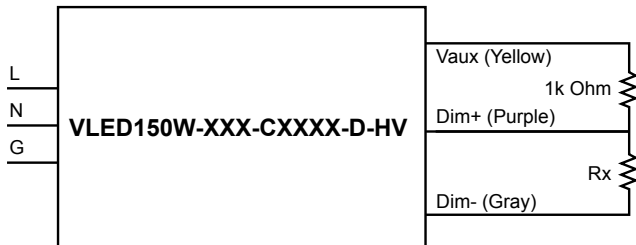
“-D” Option: - 0-10Vdc Dimming

Parameters	Minimum	Typical	Maximum
12V output voltage (Vaux)	10.8 V	12 V	13.2 V
12V output source current	0 mA	—	20 mA
Absolute maximum voltage on the 0-10V input pin	-20 V	—	20 V
Source current on 0-10V input pin	100 μ A	140 μ A	250 μ A

DC Input



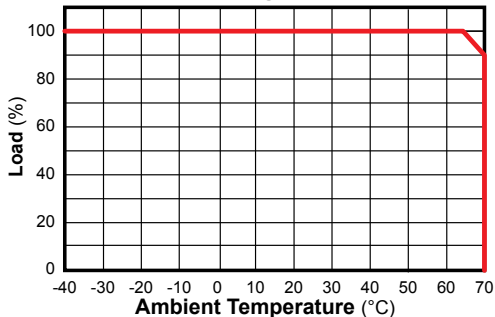
External Resistor



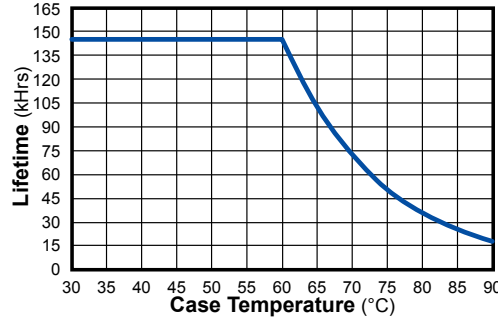
Notes:

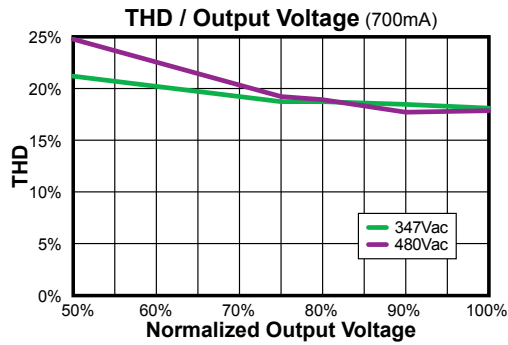
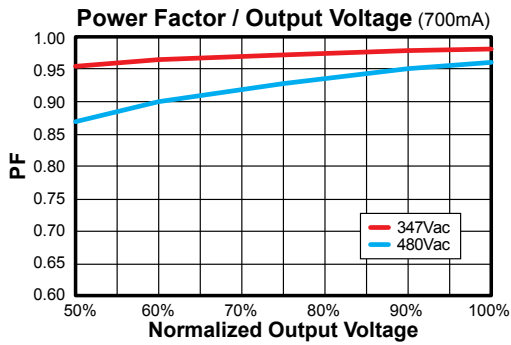
1. The dimmer can also be replaced by an active 0-10V voltage source signal or passive components like resistors and zener.
2. The dimming signal is allowed to be less than 1V, when it is between 0 and 1V, the output level is 10%.
3. Do NOT connect the Gray Wire (Vdim-) to Blue Wire (V-) together.
4. The dimming section is not isolated with output.
5. If 0-10V dimming is not used, Dim + can be either open or connected to Vaux.

Derating Curve



Lifetime / Case Temperature





Efficiency / Load

