

MATERIALS AND FINISHES

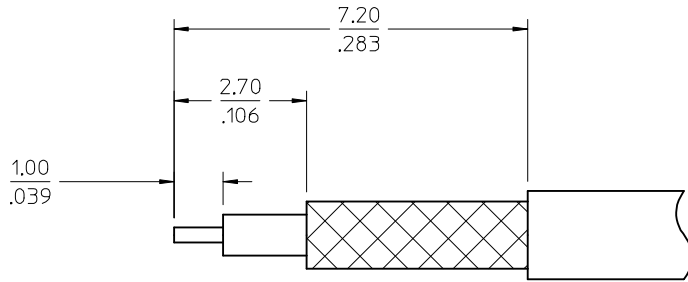
BODY BRASS  
PLATED SEE TABLE

CENTER CONTACT BRASS  
PLATED GOLD

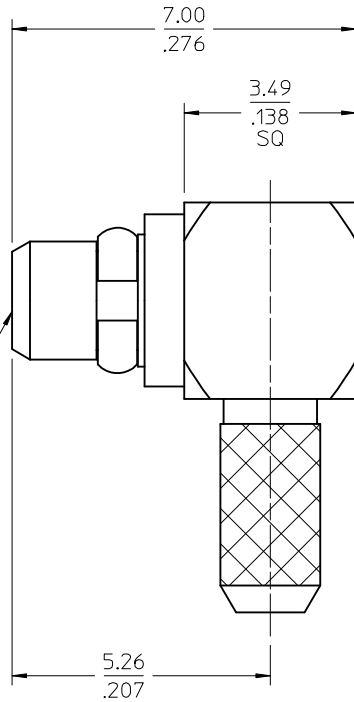
INSULATOR TEFLON

NOTE :  
73415-0955 IS FOR ENHANCED PERFORMANCE.

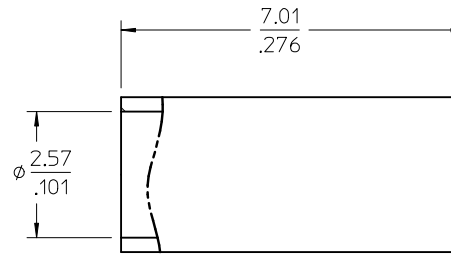
MMCX PLUG  
INTERFACE



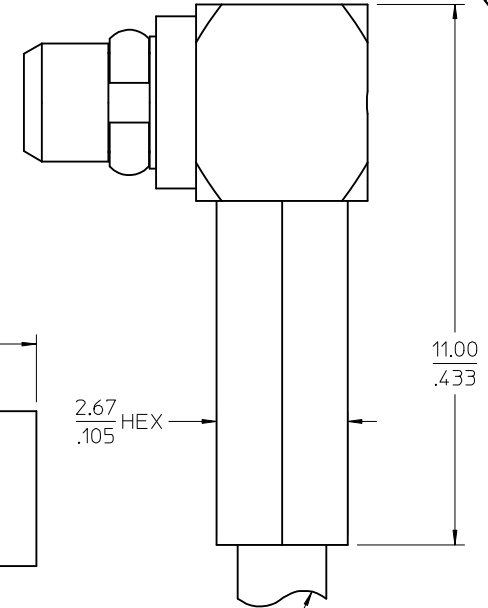
RECOMMENDED STRIP DIMENSIONS



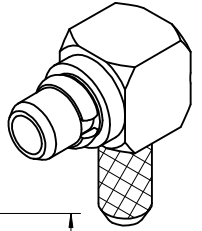
CAP



CRIMP TUBE



RG178 CABLE



ES-73599-0000-015	INTERFACE
PS-89675-1920	ELECTRO/MECH PERFORM.
SPECIFICATION	DESCRIPTION

73415-0955	GOLD OVER NICKEL PER COMMERCIAL REQUIREMENTS	BULK
73415-0954	GOLD OVER NICKEL PER COMMERCIAL REQUIREMENTS	BULK
73415-0953	GOLD OVER NICKEL PER COMMERCIAL REQUIREMENTS	73415-0951, ONE PER BAG
73415-0952	NICKEL	BULK
73415-0951	GOLD OVER NICKEL PER COMMERCIAL REQUIREMENTS	BULK
73415-0950	GOLD OVER NICKEL PER MILITARY REQUIREMENTS	BULK
PART NO.	PLATING	PACKAGING

CHG: PS CHANGE PS-89675-1920 WAS PS-89675-1930	EC NO:	2012/08/09
	DRWN: YCHENG	2012/08/09
C1	CHKD:	2012/08/21
	APPR: MHUANG	2012/08/21

QUALITY SYMBOLS	= 0 = 0
DESCRIPTION	

GENERAL TOLERANCES (UNLESS SPECIFIED)	<table border="1"> <tr> <th>mm</th> <th>INCH</th> </tr> <tr> <td>4 PLACES ± .005</td> <td>± .0004</td> </tr> <tr> <td>3 PLACES ± .003</td> <td>± .0001</td> </tr> <tr> <td>2 PLACES ± .002</td> <td>± .0001</td> </tr> <tr> <td>1 PLACE ± .001</td> <td>± .0001</td> </tr> </table>	mm	INCH	4 PLACES ± .005	± .0004	3 PLACES ± .003	± .0001	2 PLACES ± .002	± .0001	1 PLACE ± .001	± .0001
mm	INCH										
4 PLACES ± .005	± .0004										
3 PLACES ± .003	± .0001										
2 PLACES ± .002	± .0001										
1 PLACE ± .001	± .0001										
ANGULAR ± 2 °											
DRAFT WHERE APPLICABLE MUST REMAIN WITHIN DIMENSIONS											

DIMENSION STYLE MM/IN	
DRAWN BY EDC	DATE 1999/01/27
CHECKED BY EDC	DATE 1999/01/27
APPROVED BY MHUANG	DATE 2010/02/23
MATERIAL NO. SEE TABLE	

SCALE METRIC	DESIGN UNITS METRIC	THIRD ANGLE PROJECTION
TITLE MMCX PLUG 50 OHMS R/A FOR RG178 CABLE MMCX-P/RG178		
MOLEX INCORPORATED		
DOCUMENT NO. SD-73415-095	SHEET NO. 1 OF 1	