

HiTRON

UNIVERSAL INPUT HARMONIC CORRECTION AC-DC OPEN FRAME AND ACTIVE CURRENT SHARING MULTI-OUTPUT 200 WATTS INTERNAL SWITCHING POWER SUPPLIES HVP200 SERIES



FEATURES:

- ACCOMMODATE UNIVERSAL AC SOURCES
- MEET IEC 61000-3-2 HARMONIC CORRECTION
- THIRD-WIRE LOADING SHARING
- MEET UNIVERSAL SAFETY STANDARDS
- EMI MEET CISPR PUB.22 CLASS B
- +5V STAND-BY GREEN POWER
- CE MARKING COMPLIANCE

SPECIFICATION

INPUT SPECIFICATION

Input Voltage: Typ. 90-264Vac with PFC.
Input Connector: Molex #5273 V-M connector.
Input Frequency: 47-63Hz.
Inrush Current: Typ. 33A @230Vac.
Input Current: 2.25A @115Vac, 1.0 A@230Vac.
Dielectric Withstand: Meet IEC 60950-1.
EMI: Meet CISPR PUB.22 Class B.
Hold-up Time: 18mS @115Vac & 230Vac.
Power Fail Signal: Installed.
DC OK Signal: Installed in VO1 & VO2.
Power Factor Correction: Meet Harmonic Correction per IEC 61000-3-2 PF typ. 0.97-0.99.
Remote Inhibit: Installed. Enable active high.
Over Temperature Protection: Thermostat @ 95°C.
Earth Leakage: Less than 0.75mA.

OUTPUT SPECIFICATION

Output Voltage: See Ratings Chart.
Output Current: See Ratings Chart.
Output Connector: Molex #5273 V-M connector.
Output Wattage: Convection 150 watts.
With 30 cfm forced air 200W.
Line Regulation: Typ. 0.1%.
Load Regulation: Main O/P VO1: Typ. $\pm 1.0\%$.
Aux. O/P VO2: Typ. $\pm 1.0\%$. (Magnetic Amp).
Aux. O/P VO3,4,5: Typ. $\pm 2-3.0\%$. (P.R.).
Stand-By Green Power: +5V/50mA available.
Noise & Ripple: Typ. 1.0% peak to peak.
OVP: Available at VO1 & VO2.
Remote Sense: Installed in VO1 & VO2.
Adjustability: Available at VO1 & VO2.
Load Sharing: Active current sharing circuit at VO1.
Overload Protection (OLP): Fully protected against output overload and short circuit.
Consult the factory for OLP setting.

GENERAL SPECIFICATION

Efficiency: Typ. 65-70%.
Switching Frequency: Fixed frequency at 70K Hz.
Circuit Topology: PWM fixed-frequency forward circuit.
Transient Response: Output voltage returns in less than 3mS following a 25% load change.
Safety Standard: UL 60950-1/EN 60950-1 Class I.
Power Density: 3.0 Watts / Cubic Inch.

Operating Temperature: 0 to +50°C under forced air flow for full load.
Storage Temperature: -20 to +85°C.
Temperature Coefficient: Typ. $\pm 0.04\%/^{\circ}\text{C}$.
Cooling: 30 cfm air flow is required to deliver the full power 200W.
Construction: U-bracket construction format.

Note: Due to requests in market and advances in technology, specifications subject to change without notification.



For the details of safety approval, please consult the factory.

OUTPUT VOLTAGE / CURRENT RATINGS CHART

DUAL OUTPUT (Under forced air cooling)

MODEL NO.	MAIN VO1 @★#≡		AUX. +VO2 @★#▲	
	Typ.	Volt.	Typ.	Volt.
HVP200-20	25.0A	+5.0V	10.0A	+5.0V
HVP200-21	25.0A	+5.0V	5.0A	+12.0V
HVP200-22	25.0A	+5.0V	4.0A	+15.0V
HVP200-23	25.0A	+5.0V	2.5A	+24.0V
HVP200-290A	25.0A	+5.0V	15.0A	+3.3V
HVP200-290B	30.0A	+3.3V	15.0A	+5.0V
HVP200-291	30.0A	+3.3V	5.0A	+12.0V
HVP200-292	30.0A	+3.3V	4.0A	+15.0V
HVP200-293	30.0A	+3.3V	2.5A	+24.0V

TRIPLE OUTPUT (Under forced air cooling)

MODEL NO.	MAIN VO1 @★#≡		AUX. VO2 @★#▲		AUX. VO3 ◇■●	
	Typ.	Volt.	Typ.	Volt.	Typ.	Volt.
HVP200-30	25.0A	+5.0V	4.0A	+12.0V	1.0A	12.0V
HVP200-31	25.0A	+5.0V	4.0A	+12.0V	2.0A	5.0V
HVP200-32	25.0A	+5.0V	10.0A	+3.3V	1.0A	12.0V
HVP200-33	25.0A	+5.0V	10.0A	+3.3V	1.0A	15.0V

QUAD OUTPUT (Under forced air cooling)

MODEL NO.	MAIN VO1 @★#≡		AUX. VO2 @★#▲		AUX. VO3 ◇■●		AUX. VO4 ◇■●	
	Typ.	Volt.	Typ.	Volt.	Typ.	Volt.	Typ.	Volt.
HVP200-40	20.0A	+5.0V	4.0A	+12.0V	3.0A	12.0V	3.0A	12.0V
HVP200-41	20.0A	+5.0V	4.0A	+12.0V	3.0A	5.0V	3.0A	5.0V
HVP200-42	20.0A	+5.0V	2.0A	+24.0V	3.0A	12.0V	3.0A	12.0V
HVP200-43	20.0A	+5.0V	3.5A	+15.0V	3.0A	12.0V	3.0A	12.0V
HVP200-490A	20.0A	+5.0V	15.0A	+3.3V	3.0A	12.0V	3.0A	12.0V
HVP200-490B	20.0A	+3.3V	15.0A	+5.0V	3.0A	12.0V	3.0A	5.0V
HVP200-491A	20.0A	+5.0V	15.0A	+3.3V	2.5A	15.0V	2.5A	15.0V
HVP200-491B	20.0A	+3.3V	15.0A	+5.0V	2.5A	15.0V	2.5A	15.0V

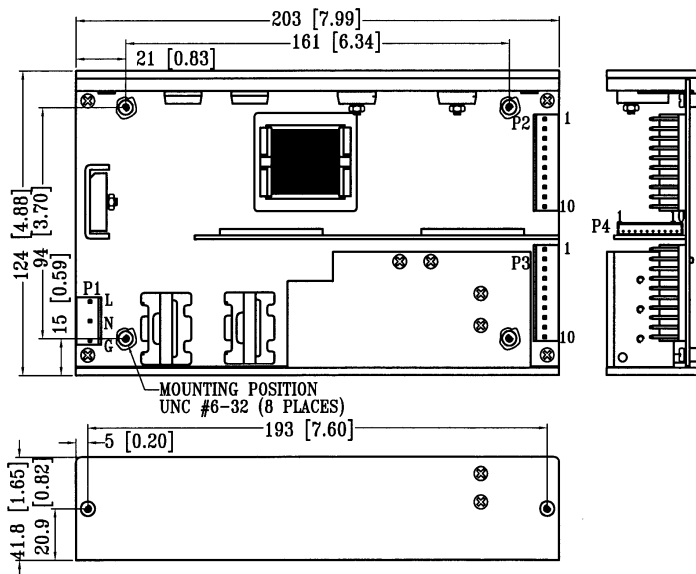
PENTAD OUTPUT (Under forced air cooling)

MODEL NO.	MAIN VO1 @★#≡		AUX. VO2 @★#▲		AUX. VO3 ◇■●		AUX. ◇VO4 ■●		AUX. VO5 ■●	
	Typ.	Volt.	Typ.	Volt.	Typ.	Volt.	Typ.	Volt.	Typ.	Volt.
HVP200-590	20.0A	+3.3V	12.0A	+5.0V	1.0A	12.0V	1.0A	12.0V	1.0A	+15.0V
HVP200-591	20.0A	+3.3V	5.0A	+12.0V	1.0A	12.0V	1.0A	12.0V	2.0A	+5.0V
HVP200-592	20.0A	+3.3V	12.0A	+5.0V	1.0A	15.0V	1.0A	15.0V	1.0A	+12.0V
HVP200-593	8.0A	+3.3V	5.0A	+12.0V	3.0A	12.0V	3.0A	12.0V	2.0A	+5.0V

Symbol: "★" OVP built-in. "@" Adjustable. "■" Couple filter inductor. "#" Remote sensing. "◇" Floating (or isolated) output.
 "●" Installed with Post Regulator (P.R.). "▲" Installed with magnetic amplifier. "≡" Active current sharing.

MECHANICAL DIMENSIONS: MM [INCHES]

WEIGHT: 1,164.0g (41.0 Oz.)



INPUT & OUTPUT CONNECTORS PIN ASSIGNMENT

ASSIGNMENT	AC INPUT			DUAL/TRIPLE/QUAD/PENTAD OUTPUT								ASSORTED SIGNALS									
	AC-L	AC-N	AC-G	+VO1	DC-COM	VO2	VO5	VO3	VO4	-VO3	-VO4	DC-COM	Enable	Power Fail	DC-OK	+5V S.B.	VO1 +S	VO1 -S	VO1 ≡	VO2 +S	VO2 -S
CNTR & PIN#	P1-L	P1-N	P1-G	P2-1, 2, 3	P2-4, 5, 6, 7	P2-8, 9, 10	P3-1,2	P3-3,4	P3-9, 10	P3-5,6	P3-7,8	P4-5	P4-3	P4-1	P4-2	P4-4	P4-7	P4-8	P4-6	P4-10	P4-9

Mating connector: P1,2,3 Molex # 5195 or 5239 series.
 P4 Molex # 5264 series or equivalent.