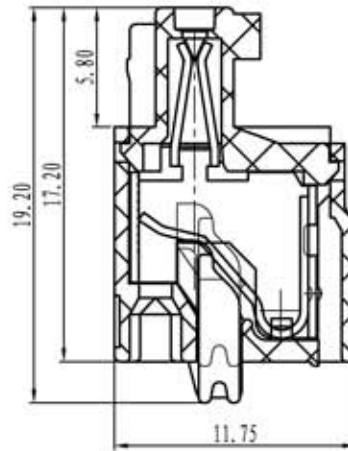
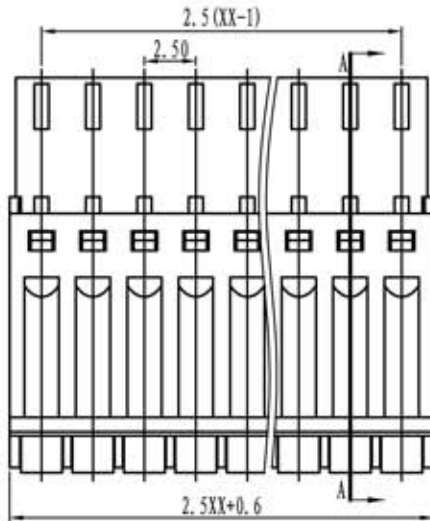
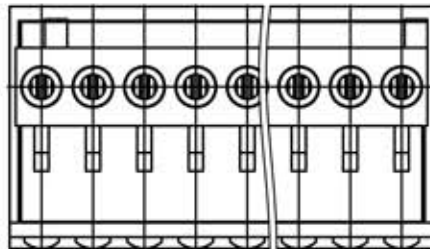


euro-block

product specification



SECTION A-A



Versione/Version	Data/Date
2013-1	04/04/2013

Electrical		
Standard	UL	IEC
Rated voltage	150V	250V
Rated current	4A	5A
Contact resistance	20mΩ	
Insulation resistance	500MΩ/DC500V	
Withstanding voltage	AC1250V/1 Min	
Wire range	26-20 AWG - 0.5sqmm	
Mechanical		
Temp. Range	-40°C + 105°C	
Stripping length:	8 mm	
Dimensions		
Pitch	2,5 mm	
Poles	2÷24	
Material		
Housing	PA66, UL94V0	
Clamp	Phosphore Bronze, Nikel plated	
Clamp 2	Stainless Steel	

Schema generale del codice di ordinazione/General description of ordering code

Series	n. poles	pitch	version	color	custom
CFS	2÷24	2.50			

TOLERANCES EXCEPT AS NOTED

variable range	linear dimension (Tolerances Standard GB/T 14486-2008)											≡	-	□	//	⊥
	to 6	over 6 to 10	over 10 to 18	over 18 to 30	over 30 to 50	over 50 to 80	over 80 to 120	over 120 to 160	over 160 to 200	over 200 to 250	all to 5					
tolerance	±0.1	±0.14	±0.19	±0.25	±0.32	±0.43	±0.57	±0.72	±0.88	±1.05	±1.25	0.5	0.025	0.06	0.12	0.4

UNITS	mm	SIZE	A4	SCALE		FIRST ANGLE PROJECTION	
				euro-block		CFS-2.5	