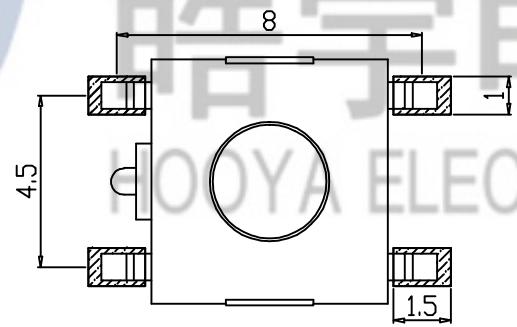
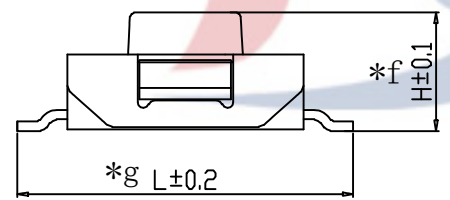
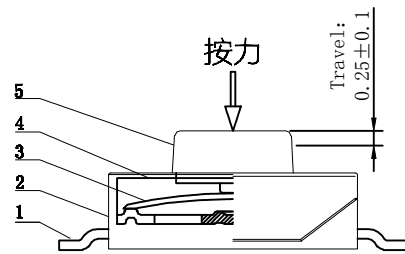
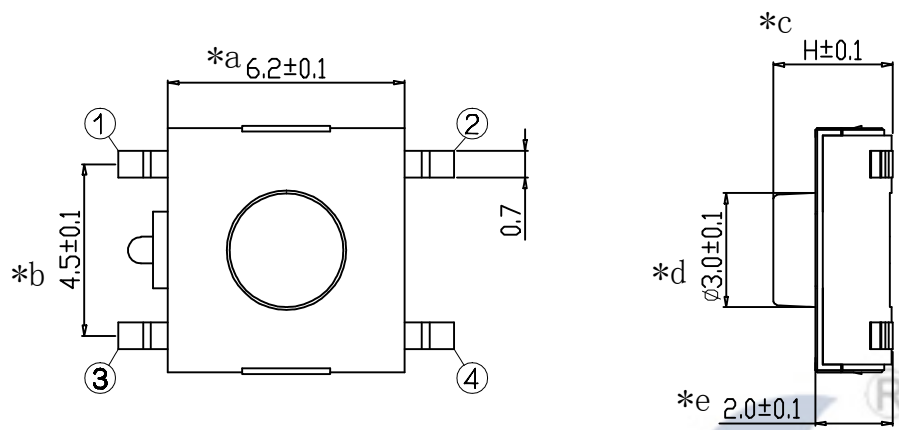


电路图



PCB板焊盘尺寸

贴面脚长度 L
√ L=8.5mm

高度	
H=2.5mm	<input checked="" type="checkbox"/>
H=2.7mm	<input type="checkbox"/>
H=3.1mm	<input type="checkbox"/>
H=3.4mm	<input type="checkbox"/>
H=3.7mm	<input type="checkbox"/>
H=3.8mm	<input type="checkbox"/>
H=4.3mm	<input type="checkbox"/>
H=4.5mm	<input type="checkbox"/>
H=4.8mm	<input type="checkbox"/>
H=5.0mm	<input type="checkbox"/>
H=5.2mm	<input type="checkbox"/>
H=5.5mm	<input type="checkbox"/>

Operating force	
100gf±10gf	<input type="checkbox"/>
130gf±10gf	<input type="checkbox"/>
160gf±10gf	<input type="checkbox"/>
280gf±50gf	<input checked="" type="checkbox"/>
350gf±50gf	<input type="checkbox"/>

					TOLERANCE UNLESS SPECIFIED							
					UP TO 5mm: ±0.1	ANGULAR ±1°	1	2021.6.30	更新图纸		WM	
					ABOVE 5mm: ±0.2		NO	DATE	REVISIONS		BY	APPD
5	STEM	PPA	1	BLACK/GULES	TITLE: TACT SWITCH			UNIT : MM	ROHS COMPLIANT	DWN		
4	COVER	SUS	1		MODEL: TS-1157-025E			SCALE: 1:1		CHK'D		
3	CONTACT	SUS	1	Ag-Plated	HAOYU(HONGKONG)LIMITED 皓宇(香港)有限公司					APPD		
2	CASE	PPA	1	BLACK								
1	TERMINAL	BRASS	4	Ag-Plated								
NO.	PART NAME	MATERIAL	QTY	FINISHING				PRO.AGL:			REV :A1	