

CRYSTAL CONTROLLED OSCILLATORS

8 Pin DIP Tri-State ACMOS Clock Oscillators



A54R, A51R,
A52R, A53R

ABSOLUTE MAXIMUM RATINGS

TABLE 1.0

PARAMETER	UNITS	MINIMUM	NOMINAL	MAXIMUM	UNITS	NOTE
Storage Temperature		-55	-	125	°C	
Supply Voltage	(Vcc)	-0.5	-	7	Vdc	

MODEL SPECIFICATIONS:

TABLE 2.0

MODEL	Fo	MINIMUM	NOMINAL	MAXIMUM	UNITS	NOTE
MODEL A54R						
Frequency Range	(Fo)	10	-	135	MHz	
Frequency Tolerance:		-20	-	20	ppm	1
MODEL A51R						
Frequency Range	(Fo)	10	-	135	MHz	
Frequency Tolerance:		-25	-	25	ppm	1
MODEL A52R						
Frequency Range	(Fo)	10	-	135	MHz	
Frequency Tolerance:		-50	-	50	ppm	1
MODEL A53R						
Frequency Range	(Fo)	10	-	135	MHz	
Frequency Tolerance:		-100	-	100	ppm	1

OPERATING SPECIFICATIONS

TABLE 3.0

PARAMETER	MINIMUM	NOMINAL	MAXIMUM	UNITS	NOTE
Operating Temperature Range	0	-	70	°C	
Supply Voltage	(Vcc) 4.75	5.00	5.25	Vdc	
Supply Current	(Icc)	-	70	mA	
Jitter (BW=10Hz to 20MHz)	-	-	5	ps rms	
Jitter (BW=12kHz to 20MHz)	-	-	1	ps rms	
SSB Phase Noise at 10Hz offset	-	-60	-	dBc/Hz	
SSB Phase Noise at 100Hz offset	-	-90	-	dBc/Hz	
SSB Phase Noise at 1KHz offset	-	-125	-	dBc/Hz	
SSB Phase Noise at 10KHz offset	-	-135	-	dBc/Hz	
SSB Phase Noise at 100KHz offset	-	-140	-	dBc/Hz	

INPUT CHARACTERISTICS

TABLE 4.0

PARAMETER	MINIMUM	NOMINAL	MAXIMUM	UNITS	NOTE
Enable Voltage	(Vih) 2.0	-	-	Vdc	2
Disable Voltage	(Vil)	-	0.8	Vdc	
Enable / Disable Time	-	-	100	nS	

ACMOS OUTPUT CHARACTERISTICS

TABLE 5.0

PARAMETER	MINIMUM	NOMINAL	MAXIMUM	UNITS	NOTE
LOAD	-	-	50	pF	
Voltage (High)	(Voh) 4.40	-	-	Vdc	
(Low)	(Vol)	-	0.44	Vdc	
Current (High)	(Ioh)	-24	-	mA	
(Low)	(Ioh)	-	24	mA	
Duty Cycle measured at 50% of Vcc	45	50	55	%	
Rise / Fall Time measured from 0.5 to 2.5V	-	-	1	nS	
Start Up Time	-	-	10	mS	3

PACKAGE CHARACTERISTICS

TABLE 6.0

Package	Hermetically sealed, metal package.
---------	-------------------------------------

Note:

- Inclusive of calibration, frequency vs. temperature stability, supply voltage change, load change, shock and vibration, 15 years aging.
- Oscillator output is enabled with no connection on pin1.

Tri-State Enable / Disable Function	Output
High or Open	Enable
Low	Disable (High Impedance)

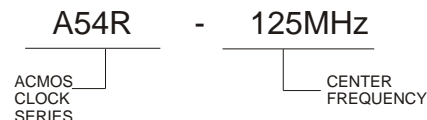
DESCRIPTION

The Connor-Winfield A54R, A51R, A52R and A53R are 5.0V Tri-State CMOS/TTL Compatible Crystal Controlled Oscillators (XO). The A54R, A51R, A52R and A53R are designed for applications requiring precision clocks.

FEATURES

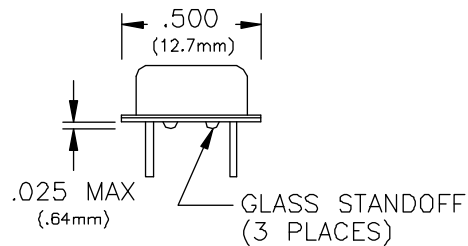
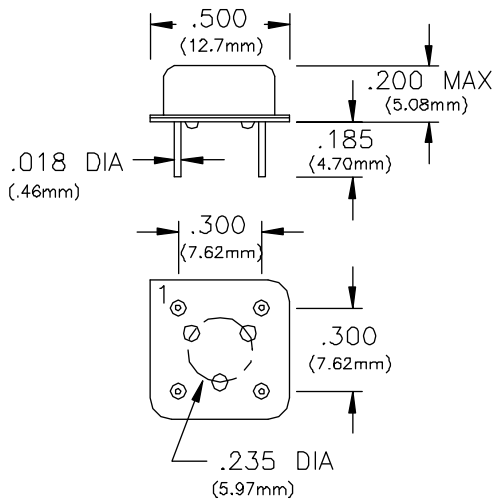
- 5.0V OPERATION
- FREQUENCY RANGE: 10.0 to 135MHz
- TEMPERATURE RANGE: 0 to 70°C
- OVERALL FREQUENCY TOLERANCE:
 - A54R: ±20ppm
 - A51R: ±25ppm
 - A52R: ±50ppm
 - A53R: ±100ppm
- TRI-STATE ENABLE / DISABLE FUNCTION
- HERMETICALLY SEALED PACKAGE

ORDERING INFORMATION



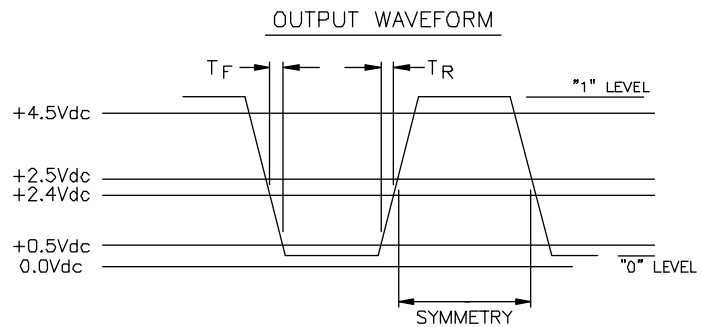
Specifications subject to change without notice.

CRYSTAL CONTROLLED OSCILLATORS

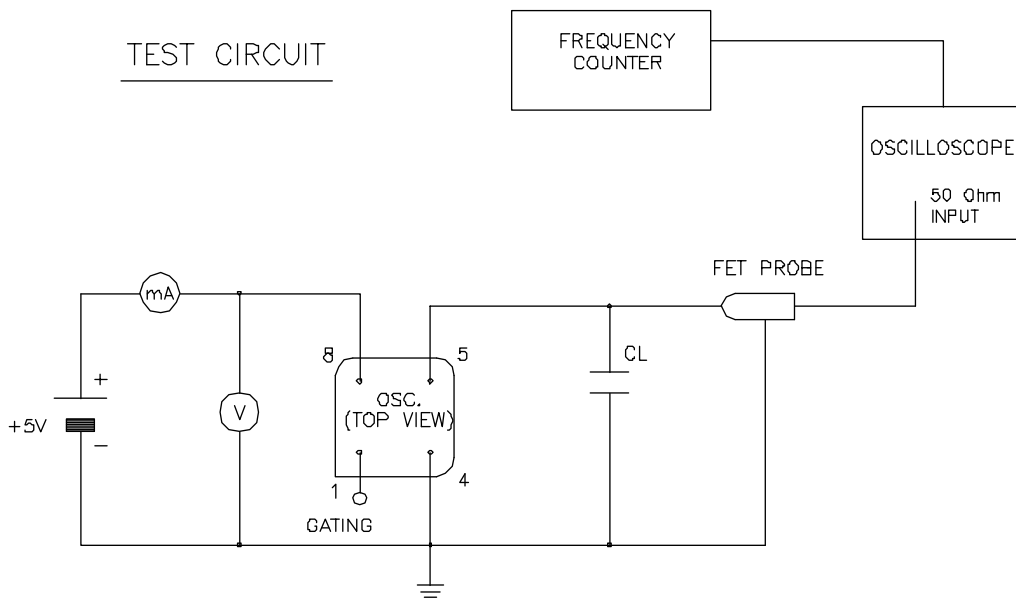


Dimensional Tolerance:
±.005 (.127mm)

Pin	Connection
1	Enable /Disable
2	Ground
3	Output
4	Vcc



TEST CIRCUIT



Specifications subject to change without notice.