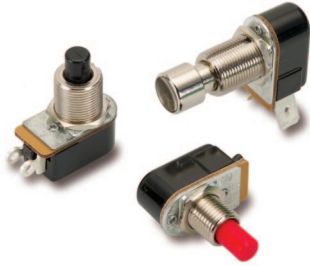


P26-Series Pushbutton Switches



The P26-Series pushbutton switches are single pole, AC rated for 8 amps at 125 VAC and suitable for shallow back panel applications. These switches are momentary action with a medium actuation force (13 oz. typical). The P26-Series switch is equipped with a slow-make, slow-break contact mechanism. Typical applications include usage for an Alarm or Warning Device, as well as Test and Measurement Equipment.

Dielectric Strength

UL/CSA: 1000V - live to dead metal parts

Electrical Life

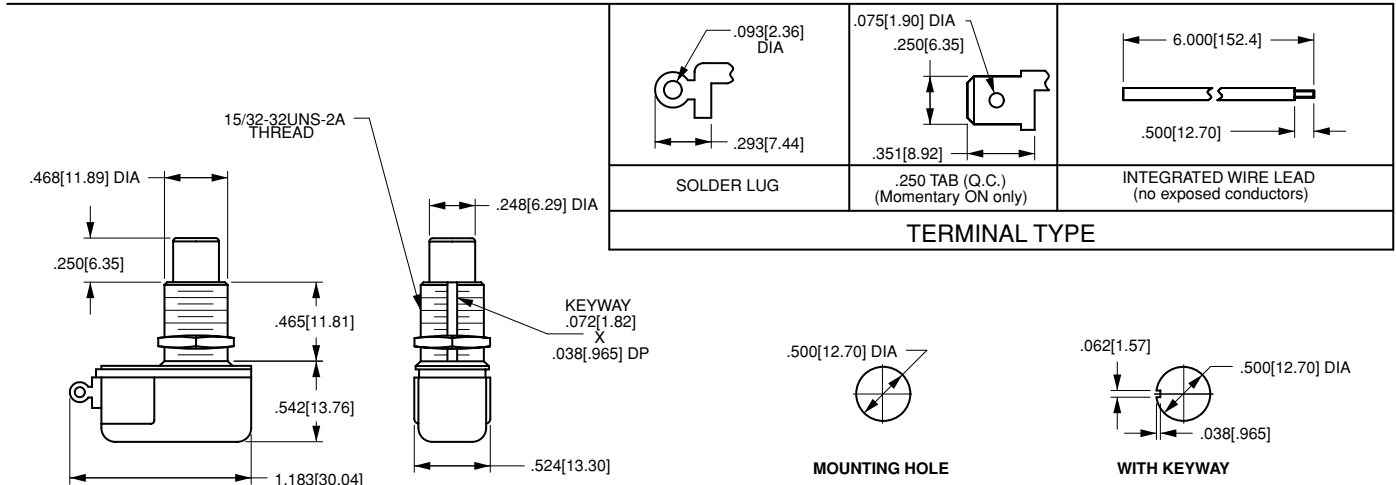
25,000 cycles

Mechanical Life

100,000 cycles

Operating Temperature

32°F to 85°F (0°C to +85°C)



P26L - 1D - BL

¹
Base Part Number

²
Bushing Style

³
Button Style/Color

1 BASE PART NUMBER: SERIES/POLES/CIRCUITRY/RATING ¹ /TERMINATION				2 BUSHING STYLE										
Single Pole 3A 250VAC, 6A 125 VAC, 3/4A 125V OFF - (ON) ON - (OFF) 3A 277VAC, 6A 125 VAC OFF - (ON) ON - (OFF)	<i>solder lug</i> P26A P26L P267A P267L	<i>.250 tab</i> P26B - P267B -	<i>wire leads</i> P26F P26T P267F P267T	<table style="width: 100%; border-collapse: collapse;"> <thead> <tr> <th style="text-align: left; color: green;">length</th> <th style="text-align: left; color: green;">diameter</th> </tr> </thead> <tbody> <tr> <td>1A .406</td> <td>.375</td> </tr> <tr> <td>1B .406</td> <td>.468</td> </tr> <tr> <td>1C .465</td> <td>.375</td> </tr> <tr> <td>1D .465</td> <td>.468</td> </tr> </tbody> </table>	length	diameter	1A .406	.375	1B .406	.468	1C .465	.375	1D .465	.468
length	diameter													
1A .406	.375													
1B .406	.468													
1C .465	.375													
1D .465	.468													
				<table style="width: 100%; border-collapse: collapse;"> <thead> <tr> <th colspan="2" style="text-align: left; color: green;">3 BUTTON STYLE/COLOR</th> </tr> </thead> <tbody> <tr> <td>BL</td> <td>black nylon</td> </tr> <tr> <td>RD</td> <td>red nylon</td> </tr> <tr> <td>RND MTL²</td> <td>round metal</td> </tr> <tr> <td>CON MTL²</td> <td>concave metal</td> </tr> </tbody> </table>	3 BUTTON STYLE/COLOR		BL	black nylon	RD	red nylon	RND MTL ²	round metal	CON MTL ²	concave metal
3 BUTTON STYLE/COLOR														
BL	black nylon													
RD	red nylon													
RND MTL ²	round metal													
CON MTL ²	concave metal													

NOTES

- 1 Additional ratings available. Consult factory for details.
- 2 Only available with 1D bushing in .502 length.
- () Indicates momentary function.