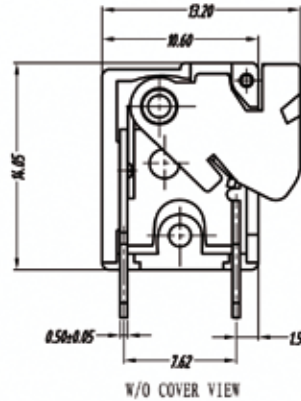
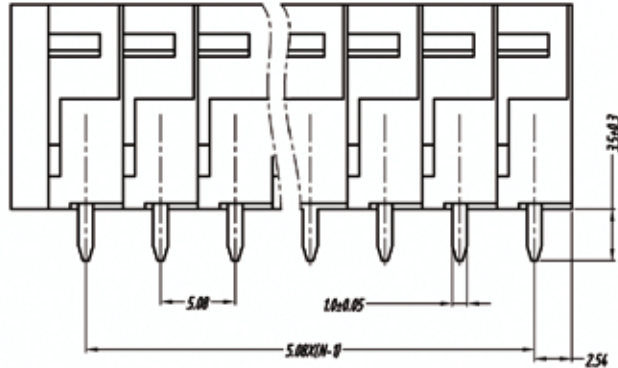


# euro-block

product specification



### Electrical

Standard: UL-IEC  
 Rated voltage: 300V-250V  
 Rated current: 10A-15A  
 Wire range: 22-12AWG-1.5mm<sup>2</sup>  
 Withstanding voltage: AC2000V/1Min

### Mechanical

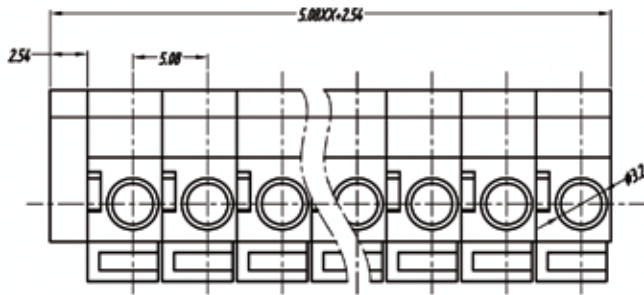
Temp.Range: -40°C~+105°C  
 Strip length: 10mm

### Dimensions

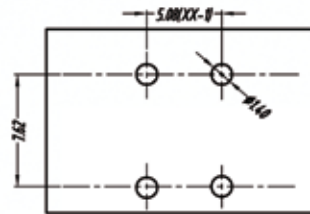
Pitch: 5.08mm (0.200"), 7.62mm (0.300")  
 Poles: 1p-xxp

### Material

Housing: PA66, UL94V-0  
 Pin header: Phosphore bronze, Since plate  
 Wire guard: stainless steel



P.C.B.LAYOUT



TOLERANCES EXCEPT AS NOTED

	linear dimension					fillet	chamfer	∠	short angle sid	≡	—	□	//	⊥			
variable range	to 6	over 6 to 30	over 30 to 120	over 120 to 480	over 480 to	all	over 6 to 6	over 6 to 10	over 10 to 50	over 50 to 120	over 120 to	all	to 5	over 5 to 30	over 30 to 120	over 120 to	
tolerance	±0.1	±0.2	±0.3	±0.5	±0.9	±0.2	±0.5	±1	1°	30'	20'	10'	0.5	0.025	0.06	0.12	0.4

UNITS	mm	SIZE	A4	SCALE		FIRST ANGLE PROJECTION	
						NAME	MRM7-V