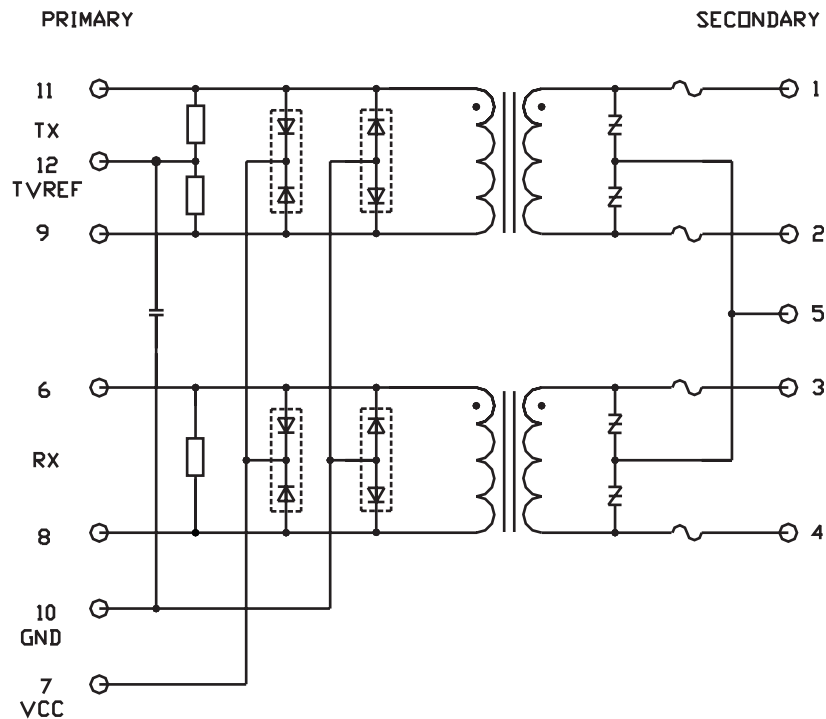


**“Slim Line” Hybrid for PMC Sierra**  
**0803-6500-03**

**FEATURES**

- Supports PMC Sierra PM4351 and PMC4354 chipset for T1/E1 long and short haul applications,
- Minimum board space requirement - ideal for multiple interface line cards
- Protection circuit designed to meet Telcordia GR1089
- Designed to meet supplementary isolation 1500V, working voltage 250V of UL60950

**SCHEMATIC**





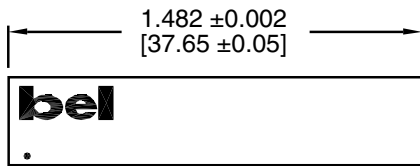
**“Slim Line” Hybrid for PMC Sierra**  
**0803-6500-03**

**SPECIFICATIONS @ 25° C**

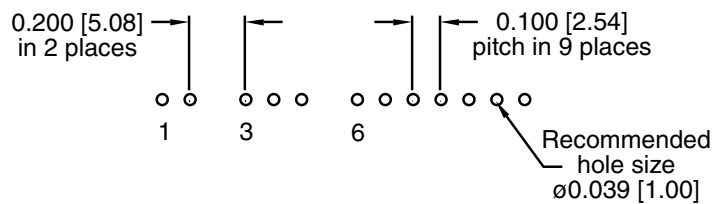
PMC Sierra Chipset	Application	Voltage	Protection	R x T/R	T x T/R
PMC4351 / 4354	T1/E1 (Z0 = 100/120 ohm)	3.3V	Longitudinal	2.42	2.42

**MECHANICAL**

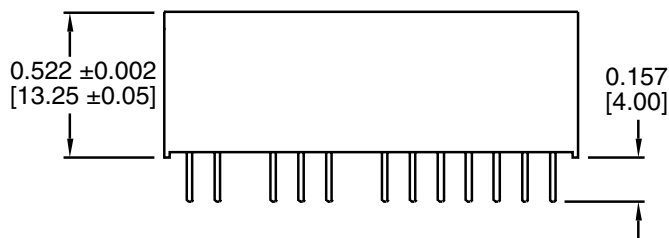
Top View



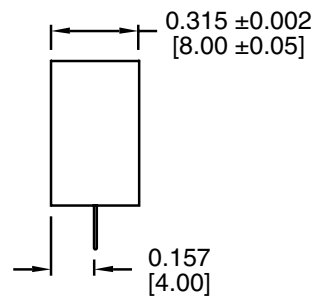
Recommended PCB Layout



Side View



End View



NOTE: ALL DIMENSIONS IN INCHES [MM]

©2004 Bel Fuse Inc. Specifications subject to change without notice. 05.26.04

**CORPORATE**

**Bel Fuse Inc.**  
 206 Van Vorst Street  
 Jersey City, NJ 07302  
 Tel 201-432-0463  
 Fax 201-432-9542  
 www.belfuse.com

**FAR EAST**

**Bel Fuse Ltd.**  
 8F / 8 Luk Hop Street  
 San Po Kong  
 Kowloon, Hong Kong  
 Tel 852-2328-5515  
 Fax 852-2352-3706  
 www.belfuse.com

**EUROPE**

**Bel Stewart Connector**  
 45/46 Riverside  
 Medway City Estate  
 Rochester, Kent ME2 4DP U.K.  
 Tel 44-1634-722890  
 Fax 44-1634-716677  
 www.belfuse.com