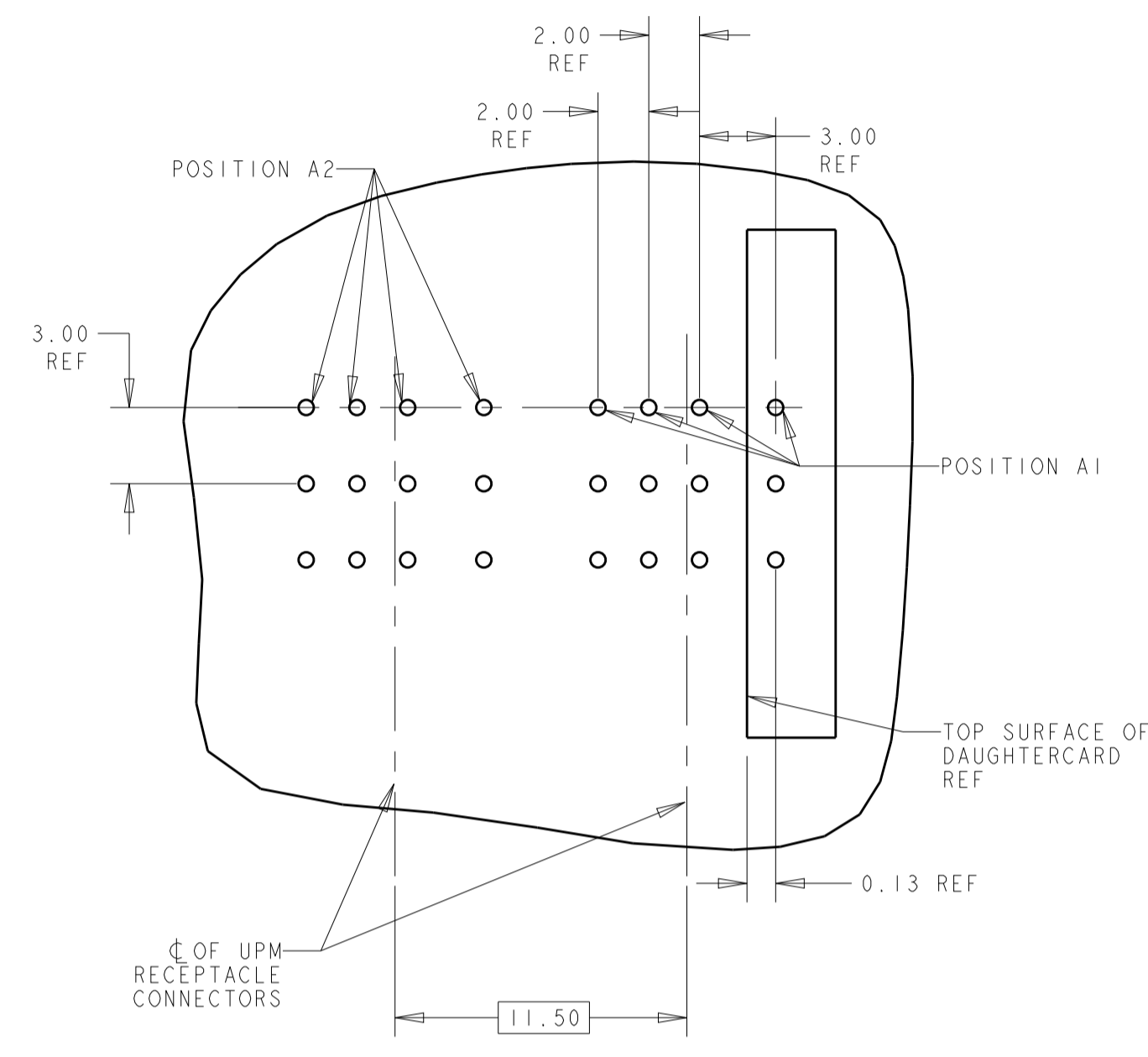
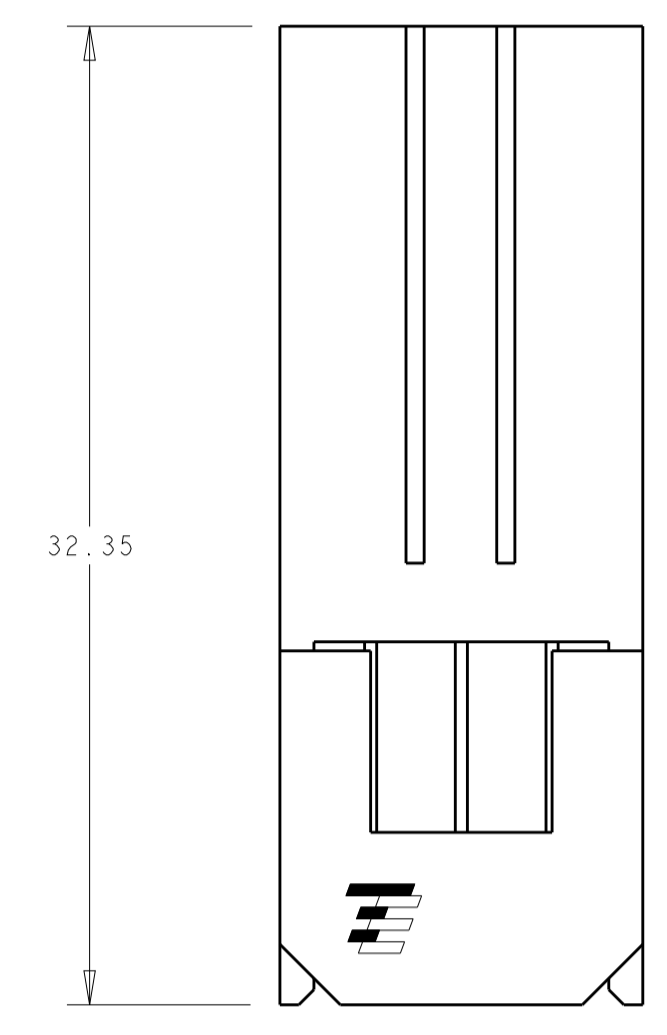


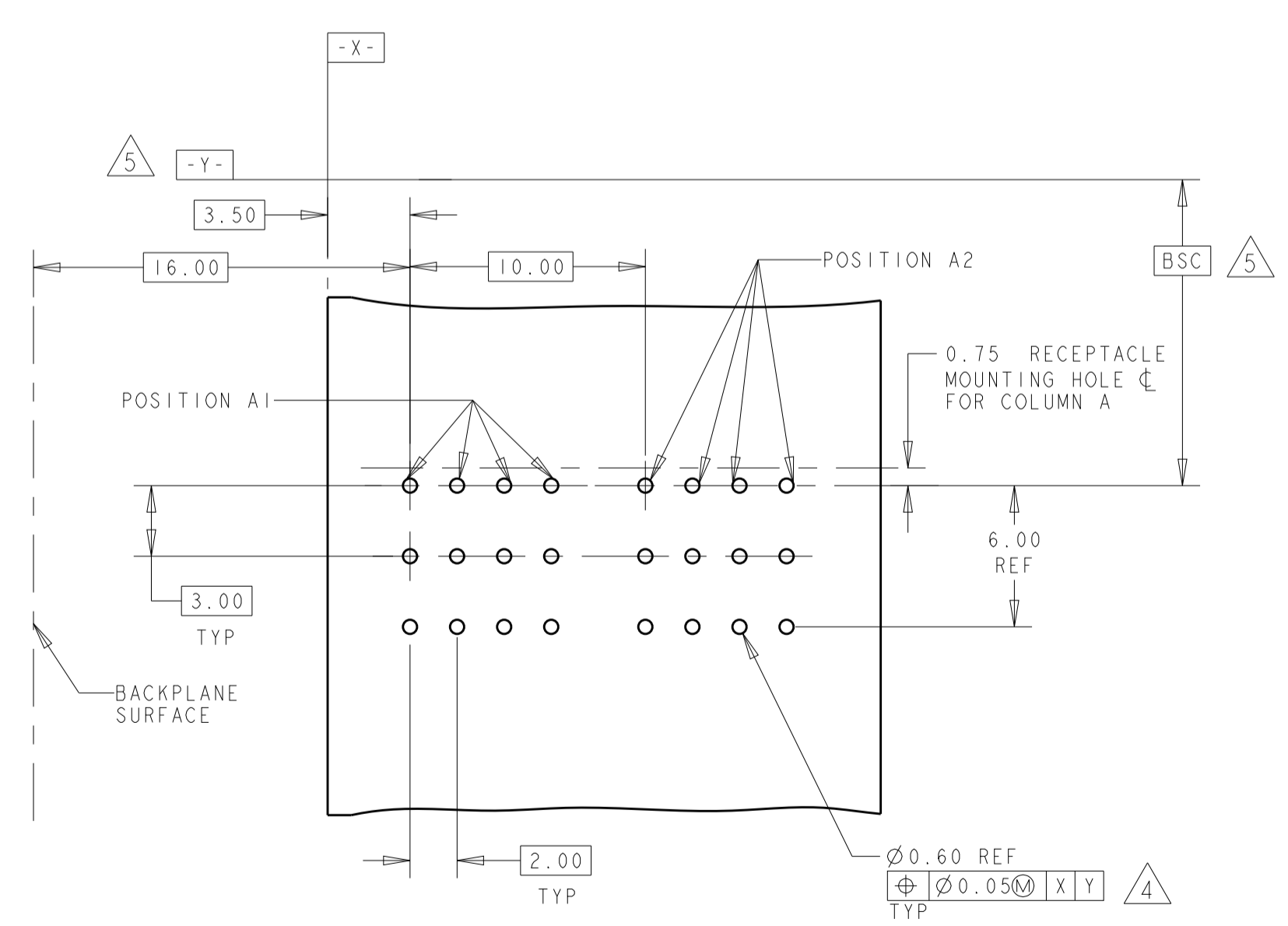
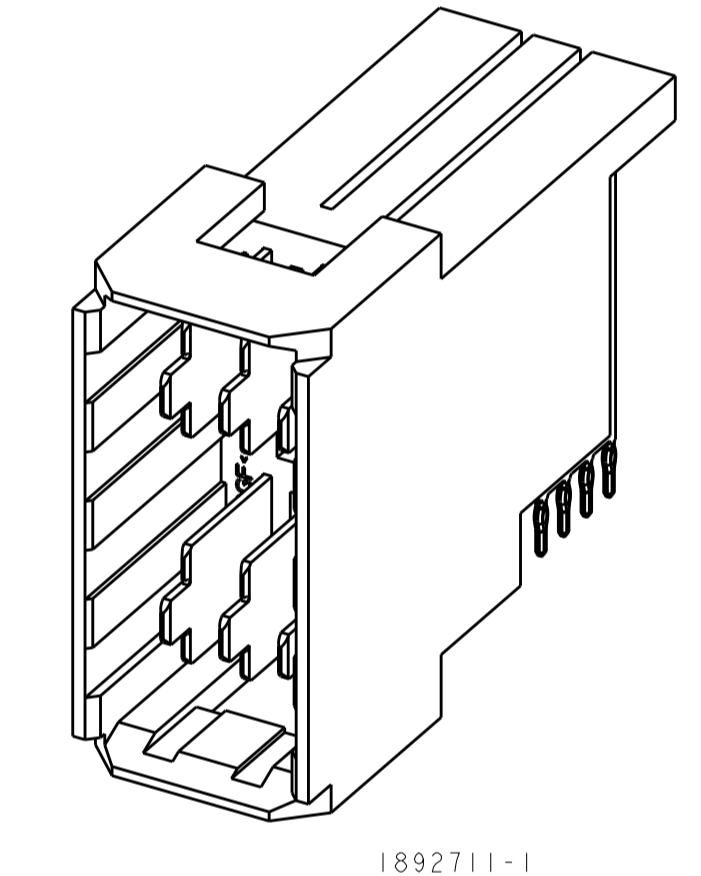
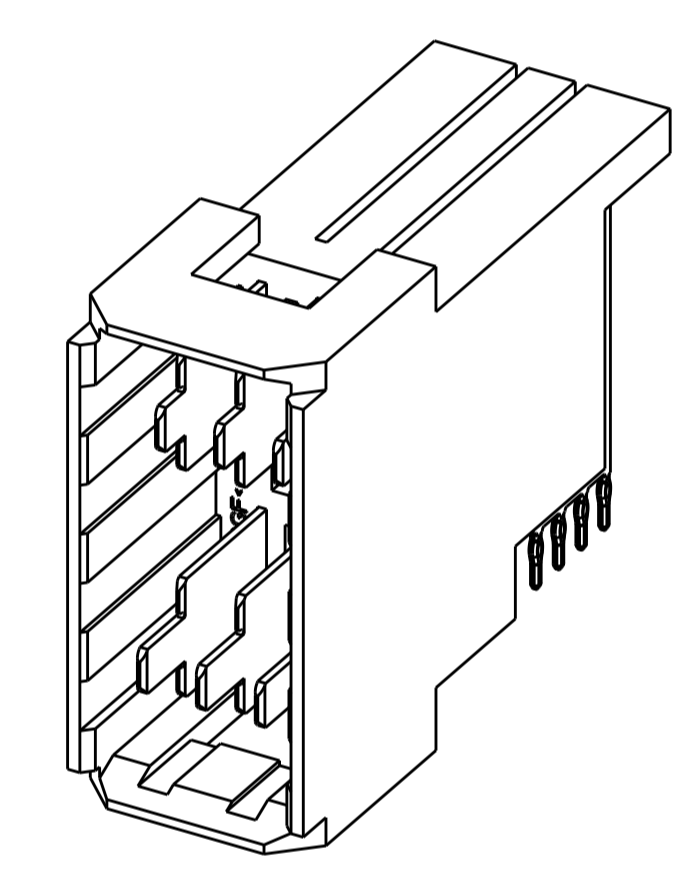
| LOC | DIST | REV | DESCRIPTION         | DATE      | DMN | APVD |
|-----|------|-----|---------------------|-----------|-----|------|
| ES  | 00   | A2  | CORRECT DRAFT ERROR | 09APR2013 | OL  | SZ   |



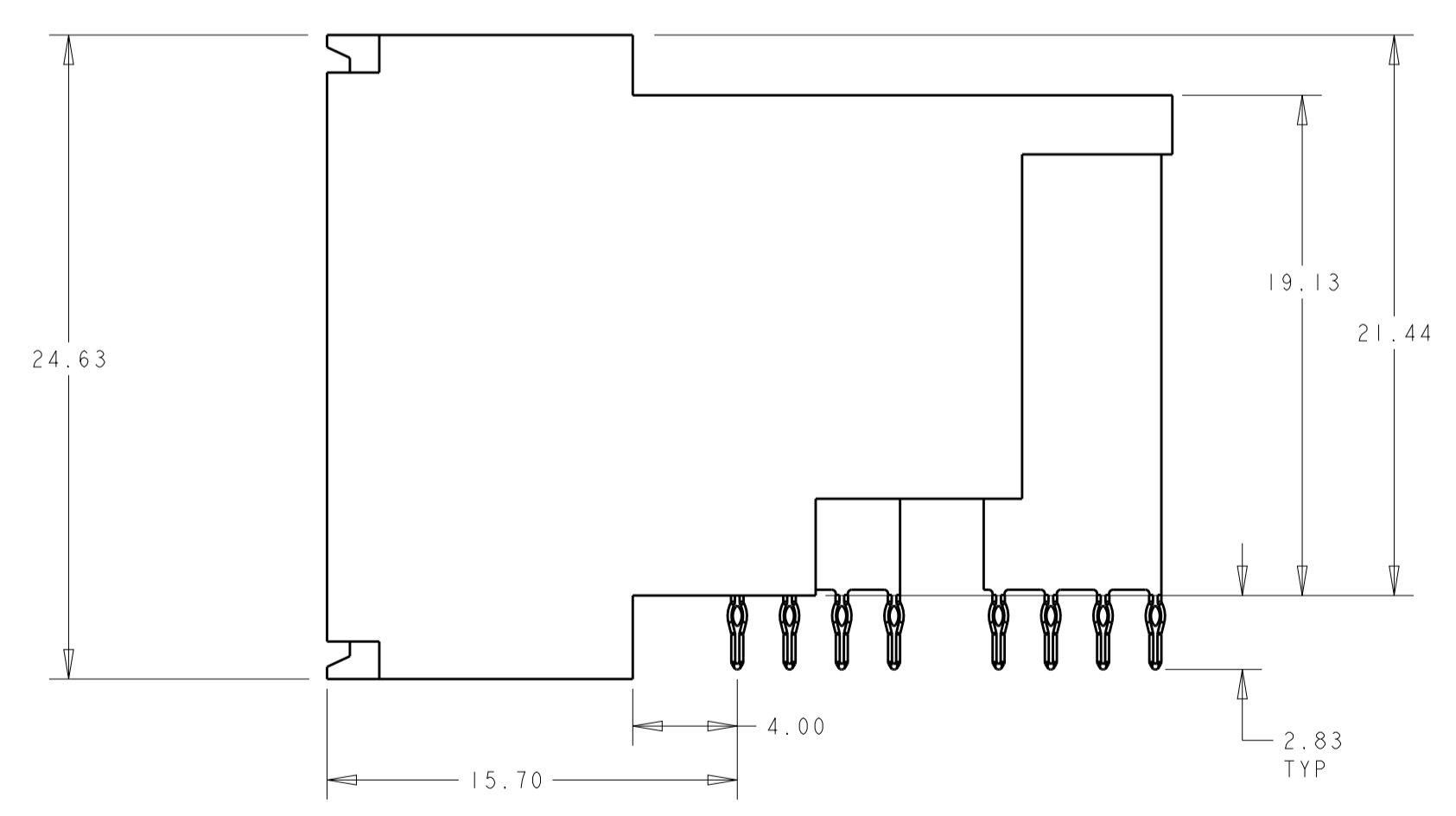
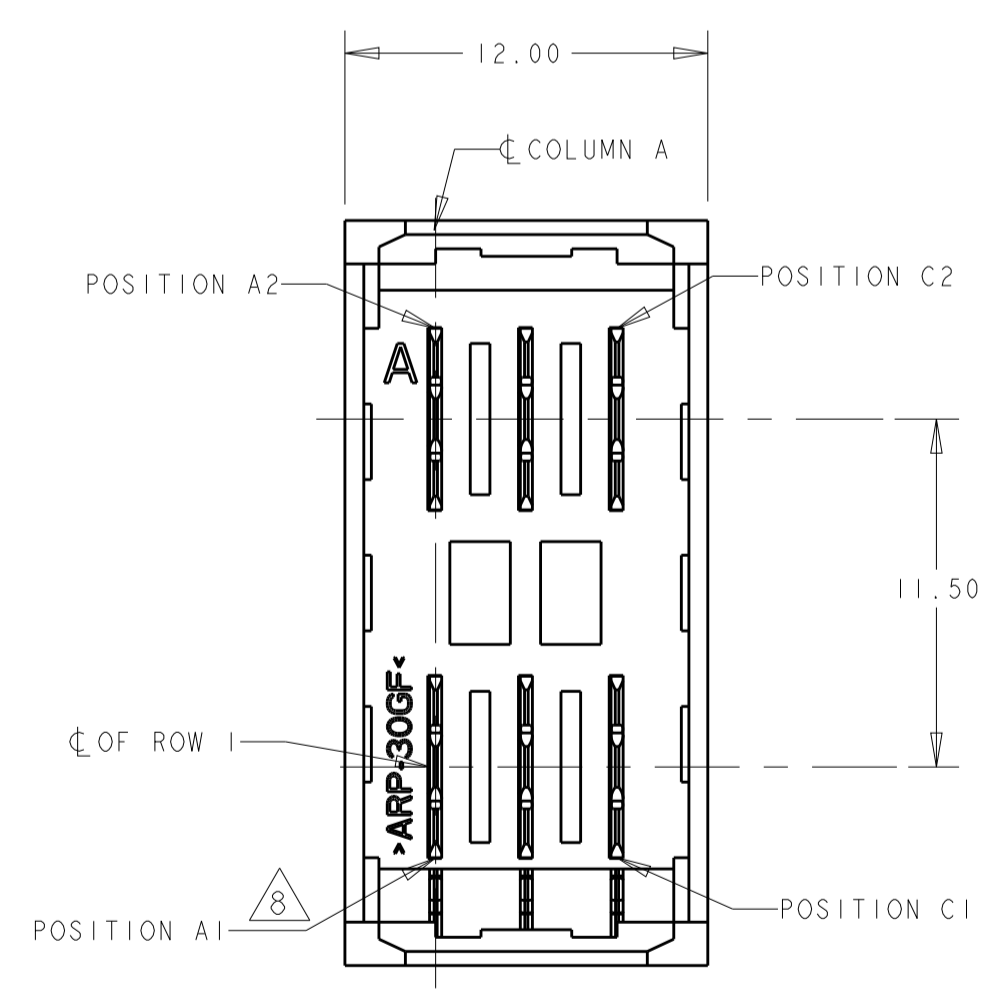
MATING VERTICAL UPM RECEPTACLE PCB LAYOUT  $\triangle 3$



- $\triangle 1$  MATERIAL: HOUSING: POLYESTER. COLOR: BLACK, UL 94 V-0  
CONTACT: COPPER ALLOY.
- $\triangle 2$  FINISH: CONTACT MATING AREA: 0.00076 mm MIN GOLD PLATE OVER 0.00127 mm MIN NICKEL, OR 0.0005 mm MIN GOLD OVER 0.00064 mm PALLADIUM-NICKEL OVER 0.00127 mm MIN NICKEL.  
COMPLIANT TAIL AREA: 0.0005 mm MIN MATTE TIN PLATE OVER 0.00127 mm NICKEL UNDERPLATE.
- $\triangle 3$  TAILS OF MATING UPM STYLE RECEPTACLE ARE OFFSET BY 0.75 mm FROM TAILS OF THIS CONNECTOR. SEE CUSTOMER DRAWING 120992 FOR RECEPTACLE EXAMPLE. SEE APPLICATION SPEC 114-1103 FOR MORE DETAILED DESCRIPTION OF THE TAIL OFFSETS.
- $\triangle 4$  PC BOARD HOLE SPECIFICATIONS:  
 DRILLED HOLE SIZE: 0.700±0.02 mm  
 FINISHED HOLE SIZE: 0.60±0.05 mm  
 PLATING THICKNESS:  
 0.025 - 0.050 mm COPPER  
 0.004 - 0.010 mm HASL TIN  
 0.0005 mm MIN IMMERSION TIN  
 0.0002 - 0.0005 mm OSP  
 0.0001mm MIN IMMERSION SILVER  
 0.0001-0.0005 mm IMMERSION GOLD OVER 0.004-0.005 mm NICKEL
- $\triangle 5$  DATUM AND BASIC DIMENSION ESTABLISHED BY CUSTOMER.
- $\triangle 6$  MINIMUM REQUIRED PC BOARD THICKNESS IS 1.44mm.
- 7. CONTACT AREA LUBRICATED WITH BELLCORE APPROVED LUBRICANT. TECHNICAL REFERENCE GR-1217-CORE, ISSUE 1 NOVEMBER 1995.
- $\triangle 8$  POSITION A1 IS AT MATERIAL ID.



RECOMMENDED PCB LAYOUT  $\triangle 6$



| BI                                     | C1         | A1, A2, B2, C2                          | 1892711-3                                |
|--|------------|---|--|
| -                                      | A1, B1, C1 | A2, B2, C2                              | 1892711-2                                |
| -                                      | -          | ALL                                     | 1892711-1                                |
| POSITION LOADED WITH 7.7 REF SHORT PIN |            | POSITION LOADED WITH 10.92 REF LONG PIN | POSITION LOADED WITH 9.32 REF MIDDLE PIN |
| PART NO                                |            | PART NO                                 |  |

|                  |   |           |  |
|------------------|---|-----------|--|
| DMN              | ORANDO LI   | 23JUN2009 | Tyco Electronics<br>Shanghai, P.R. China. 200233 |
| CHK              | SUNY ZHAO   | 23JUN2009 |  |
| APVD             | STEVEN YAO  | 23JUN2009 |  |
| NAME             | ASSEMBLY, RIGHT ANGLE HEADER, MINIPAK HDE, 2X3 POSITION |           |  |
| DIMENSIONS:      | TOLERANCES UNLESS OTHERWISE SPECIFIED:                  |           | PRODUCT SPEC                                     |
| mm               | 0 PLC   | ±         | APPLICATION SPEC                                 |
|                  | 1 PLC   | ±.25      |  |
|                  | 2 PLC   | ±.25      |  |
|                  | 3 PLC   | ±         |  |
|                  | 4 PLC   | ±         |  |
|                  | ANGLES  | ±1°       |  |
| MATERIAL         | FINISH  | WEIGHT    | SIZE CAGE CODE DRAWING NO RESTRICTED TO          |
| $\triangle 1$    | $\triangle 2$   | -         | A100779C=1892711                                 |
| Customer Drawing |   |           | SCALE 5:1 SHEET 1 OF 1 REV A2                    |