

Cannon ZD Connectors

- Stamped contacts ZD* series connectors.
- Closed-entry socket insulator for secure blind mating.
- Compatible with all other D*Subminiature series.
- Particularly suitable for industrial applications (control and measurement), and for computer- telecom- or medical equipment.
- Glass filled thermoplastic Insulator, UL 94V-0 (E112081)
- Standard arrangement (9, 15, 25, 37, 50 contacts), and high density arrangement (15, 26, 44, 62, 78) are available for both male and female connectors
- The references mentioned in this catalogue are class 3. See notes for class 2.



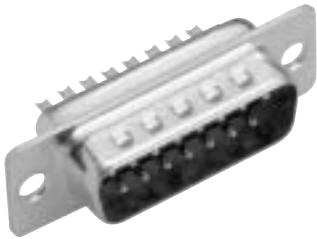
Electrical characteristics

Rated current	5 A (Standard density) 2 A (High density) 1 A (IDC)
Dielectric withstanding voltage	1000 VAC for 1 min. (IDC 500 VAC for 1 min.)
Contact resistance	20 mΩ on mated contacts
Operating temperature range	-55° / + 105°C
Insulation resistance Standard / High density	5000 MΩ at 500 VDC (IDC 1000 MΩ at 500 VDC)

Mechanical characteristics

Insulators	Glass filled thermoplastic, black
Male Contacts	Brass, stamped and formed
Female Contacts	Phosphore bronze, stamped and formed
Finish	Gold over nickel in contact area, balance tin
Shells	Steel, plated
Mechanical endurance	Class 3: 50 mating / unmating cycles min. Class 2: 200 mating / unmating cycles min.

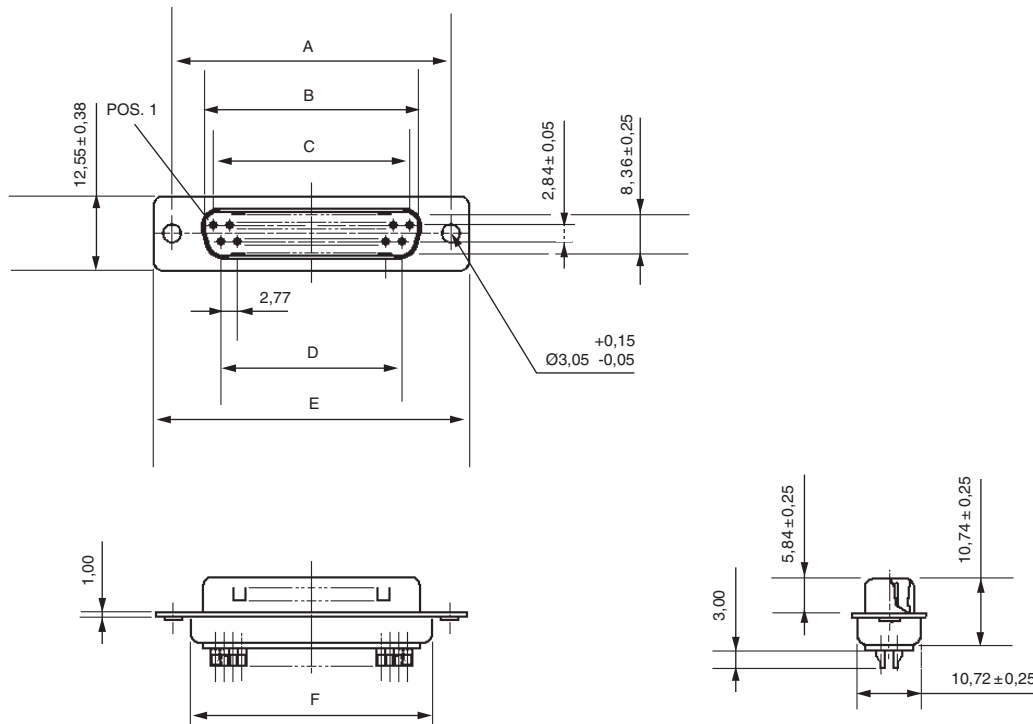
Plug 9 – 15 – 25 – 37 contacts



Designation

Shell size / Arrangement	Through hole	Captive nut thread 4-40	Screwlock thread 4-40
E / 9	ZDE9P	ZDEE9P	ZDEE9P-AB
A / 15	ZDA15P	ZDAE15P	ZDAE15P-AB
B / 25	ZDB25P	ZDBE25P	ZDBE25P-AB
C / 37	ZDC37P	ZDCE37P	ZDCE37P-AB

Note: Class 2 - Add suffix A191 Example: ZDE9P-A191



Shell	A ± 0,13	B ± 0,25	C ± 0,13	D ± 0,13	E ± 0,38	F ± 0,25
E	24,99	16,92	11,08	8,31	30,89	19,28
A	33,32	25,25	19,39	16,62	39,10	27,51
B	47,04	38,96	33,24	30,47	53,09	41,30
C	63,50	55,25	49,86	47,09	69,40	57,71

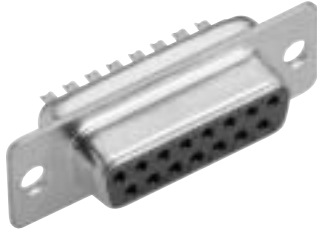
- Mounting options, page 38
- Panel cutout, page 39
- Accessories, page 33



Dimensions shown in mm
Specifications and dimensions subject to change

www.ittcannon.com

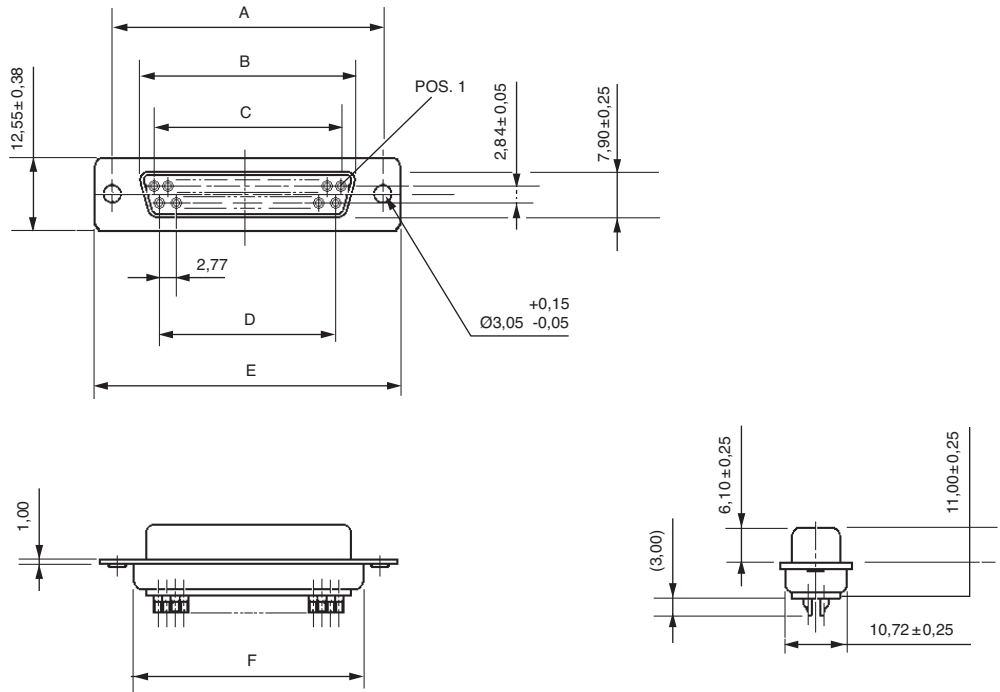
Receptacle 9 – 15 – 25 – 37 contacts



Designation

Shell size / Arrangement	Through hole	Captive nut thread 4-40	Screwlock thread 4-40
E / 9	ZDE9S	ZDEE9S	ZDEE9S-AB
A / 15	ZDA15S	ZDAE15S	ZDAE15S-AB
B / 25	ZDB25S	ZDBE25S	ZDBE25S-AB
C / 37	ZDC37S	ZDCE37S	ZDCE37S-AB

Note: Class 2 - Add suffix A191 Example: ZDE9S-A191

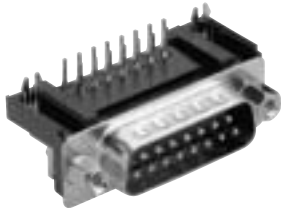


Shell	A ± 0,13	B ± 0,25	C ± 0,13	D ± 0,13	E ± 0,38	F ± 0,25
E	24,99	16,33	10,96	8,22	30,89	19,28
A	33,32	24,66	19,18	16,44	39,10	27,51
B	47,04	38,38	33,24	30,47	53,09	41,30
C	63,50	54,84	49,86	47,09	69,40	57,71

- Mounting options, page 38
- Panel cutout, page 39
- Accessories, page 33

Dimensions shown in mm
 Specifications and dimensions subject to change

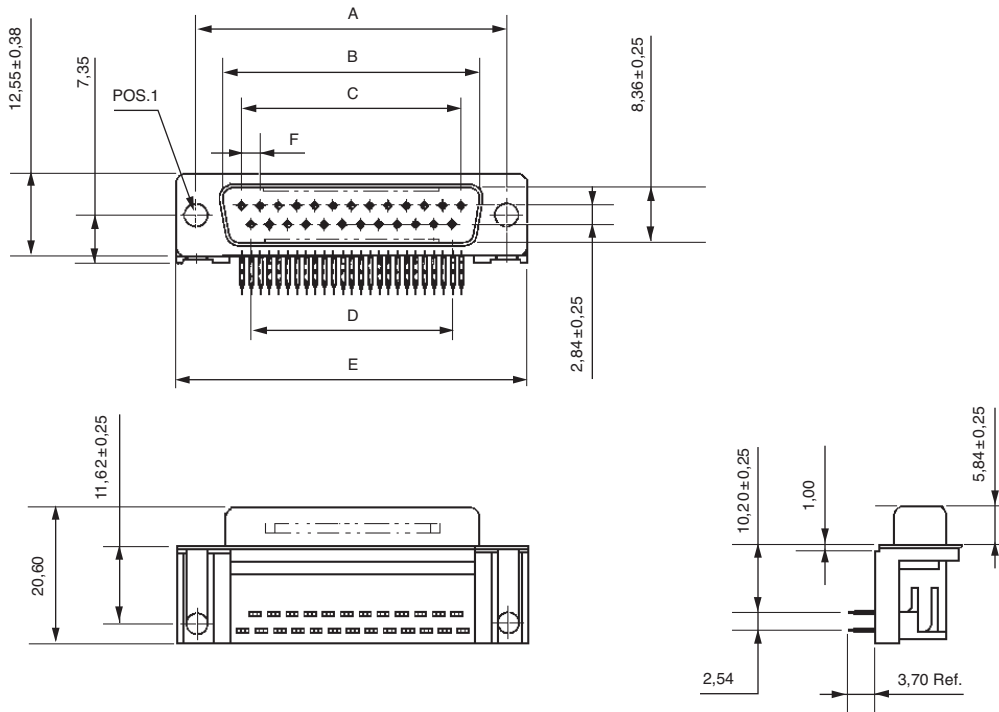
Plug 9 – 15 – 25 – 37 contacts



Designation

Shell size / Arrangement	Boardlock and screwlock 4-40 2B	Boardlock, threaded insert 4-40 2B
E / 9	ZDE9P-1AKN-146	ZDEL9P-1AKN-146
A / 15	ZDA15P-1AKN-146	ZDAL15P-1AKN-146
B / 25	ZDB25P-1AKN-146	ZDBL25P-1AKN-146
C / 37	ZDC37P-1AKN-146	ZDCL37P-1AKN-146

Note: Class 2 - Add suffix A191 Example: ZDE9P-1AKN-A191-146

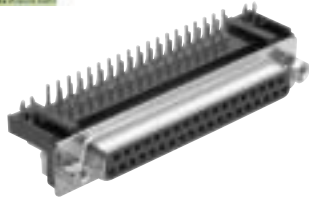


Shell	A ± 0,25	B ± 0,25	C ± 0,13	D ± 0,13	E ± 0,38	F ± 0,05±0.13
E	24,99	16,92	10,96	8,22	30,89	2,74
A	33,32	25,25	19,18	16,44	39,10	2,74
B	47,04	38,96	33,24	30,47	53,09	2,77
C	63,50	55,42	49,86	47,09	69,40	2,77

- PCB hole pattern, page 35
- Panel cutout, page 39



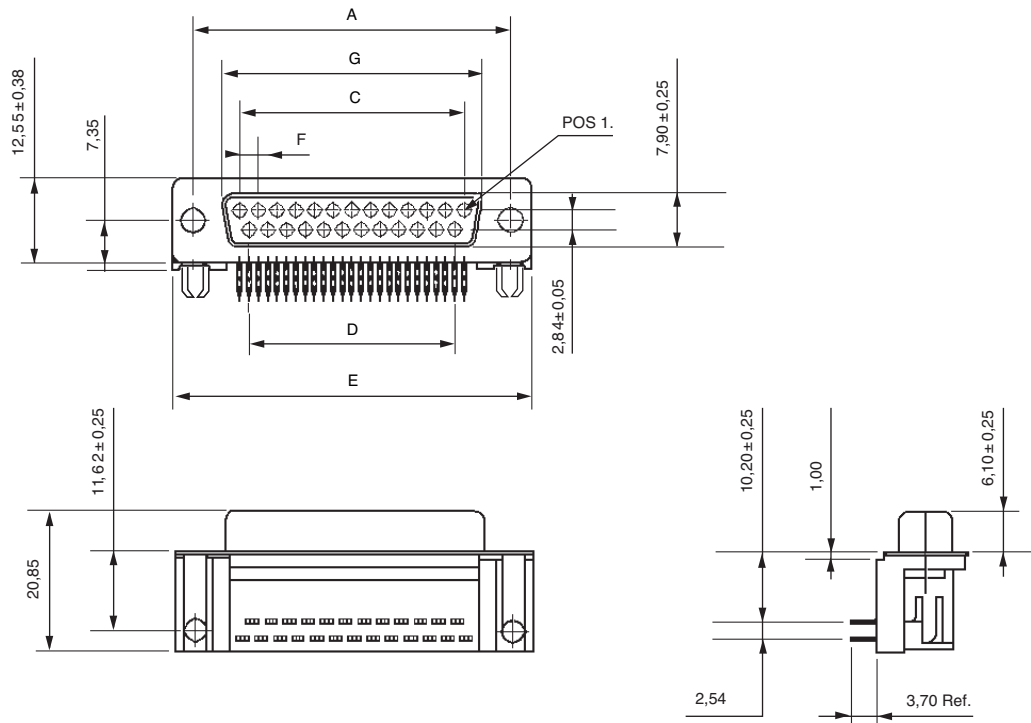
Receptacle 9 – 15 – 25 – 37 contacts



Designation

Shell size / Arrangement	Boardlock and screwlock 4-40 2B	Boardlock, threaded insert 4-40 2B
E / 9	ZDE9S-1AKN-146	ZDEL9S-1AKN-146
A / 15	ZDA15S-1AKN-146	ZDAL15S-1AKN-146
B / 25	ZDB25S-1AKN-146	ZDBL25S-1AKN-146
C / 37	ZDC37S-1AKN-146	ZDCL37S-1AKN-146

Note: Class 2 - Add suffix A191 Example: ZDE9S-1AKN-A191-146



Shell	A ± 0,25	C ± 0,13	D ± 0,13	E ± 0,38	F	G ± 0,25
E	24,99	10,96	8,22	30,89	2,74	16,33
A	33,32	19,18	16,44	39,10	2,74	24,66
B	47,04	33,24	30,47	53,09	2,77	38,38
C	63,50	49,86	47,09	69,40	2,77	54,84

- PCB hole pattern, page 35
- Panel cutout, page 39