

# D款, 正向10.6四脚, DIP-\*6.20

MAPX	MODIFICATION	DATE

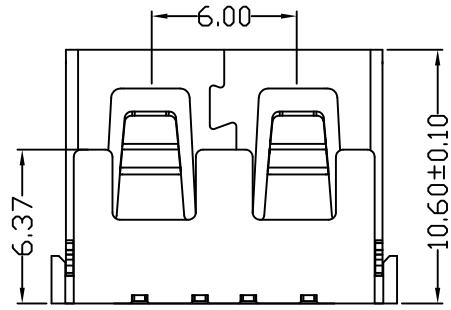
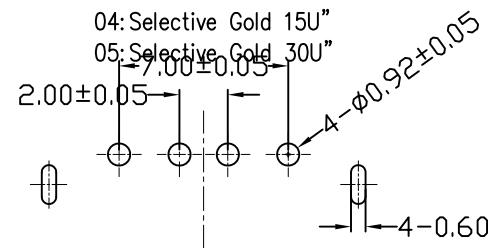
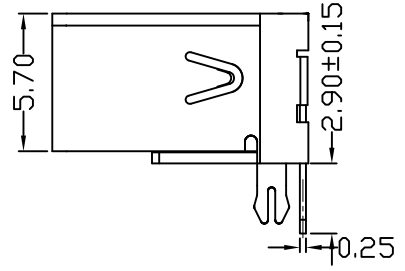
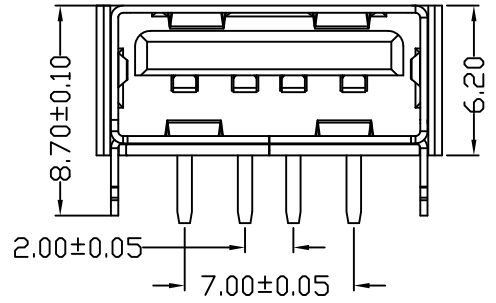
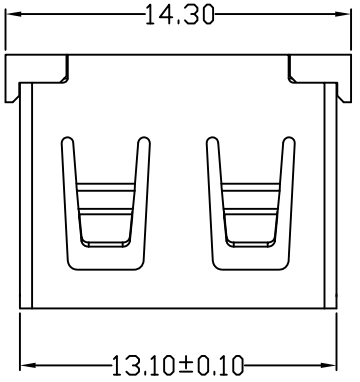
NOTES:  
 1.HOUSING: SEE NOTES,  
 TERMINAL: SEE NOTES.  
 SHELL: SEE NOTES.

SPECIFICATION:  
 1.ELECTRICAL CHARACTERISTIC:  
 CONTACT RESISTANCE: 30mΩ MAX  
 DIELECTRIC WITHSTANDING VOLTAGE: 500V AC FOR 1MIN  
 INSULATION RESISTANCE: 1000MΩ MIN

2.MECHANICAL CHARACTERISTIC:  
 INSERTION FORCE: 35N(3.57KGF) MAX  
 EXTRACTION FORCE: 10~35N(1.02~3.57KGF)MIN  
 DURABILITY: 1500 CYCLES EXTRACTION FORCE:10~35N  
 5000 CYCLES MIN  
 5000 CYCLES EXTRACTION

FORCE: 3~35N  
 3.ENVIRONMENTAL:  
 OPERATING TEMPERATURE: -55°C+85°C

4.Contact finish:  
 01: Selective Gold Flash  
 02: Selective Gold 3U"  
 03: Selective Gold 5U"  
 04: Selective Gold 15U"  
 05: Selective Gold 30U"



FRONT EDGE OF CONNECTOR  
 PCB LAYOUT (T=1.60mm)

产品图 PRODUCT CHART DWG 公差一览表 TOLERANCE UNLESS OTHERWISE				深圳市精拓金电子有限公司						
X.	±0.25	X.	±5°	单位	MM	制图	Z-Y-B	制图料号	912-221A2021D10100	
.X	±0.20	.X	±2°	UNITS		DRAWING		产品名称	AF10.6D款后两脚无边方弹铁壳	
.XX	±0.15	.XX	±1°	比例	1:1	审核		PRODUCT NO.	LCP黑胶6.2DIP	
.XXX	±0.10	.XXX	±0.5°	日期	2012.09.24	核准		角法	版本 VER	AD
				DATE		APPD		VIEW		