

PLEASE CHECK WWW.MOLEX.COM FOR LATEST PART INFORMATION

Part Number: [0352821217](#)
Status: **Active**
Description: 2.28mm (.090") Tab Wire-to-Wire Uniconn Housing, Male, 12 Circuits

Documents:

[Drawing \(PDF\)](#) [RoHS Certificate of Compliance \(PDF\)](#)

General

Product Family	Crimp Housings
Series	35282
Product Name	Uniconn

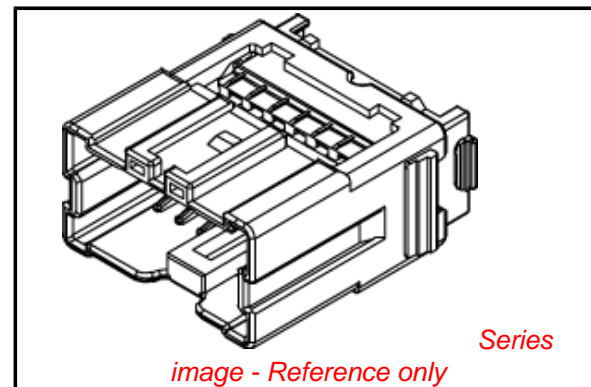
Physical

Circuits (maximum)	12
Gender	Male
Glow-Wire Compliant	No
Number of Rows	2
Packaging Type	Bag
Panel Mount	No
Pitch - Mating Interface (in)	0.150 In
Pitch - Mating Interface (mm)	3.80 mm
Temperature Range - Operating	-40°C to +80°C

Material Info

Reference - Drawing Numbers

Sales Drawing	SD-35282-121*
---------------	---------------



EU RoHS **China RoHS**

Compliance Status

Not Reviewed

REACH SVHC

Not Reviewed

Halogen-Free

Status

Not Reviewed

Need more information on product environmental compliance?

Email productcompliance@molex.com
 For a multiple part number RoHS Certificate of Compliance, [click here](#)

Please visit the [Contact Us](#) section for any non-product compliance questions.

Search Parts in this Series

[35282Series](#)

Mates With

[35284](#)

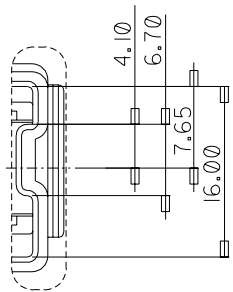
Use With

[35420](#) , [35421](#)

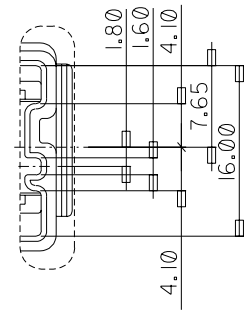
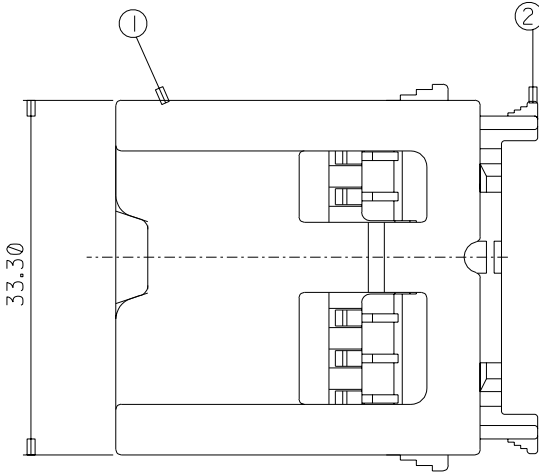
PLEASE CHECK WWW.MOLEX.COM FOR LATEST PART INFORMATION

DO NOT SCALE DRAWING
DIMENSION IN METRIC

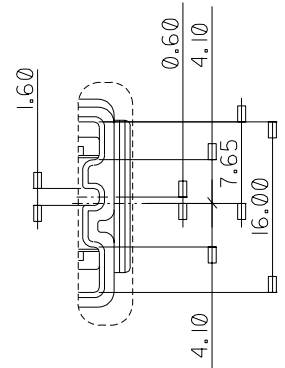
PROJECT NO. SD-35282-1210
SIMILAR ITEM



35282-1210 (NATURAL)

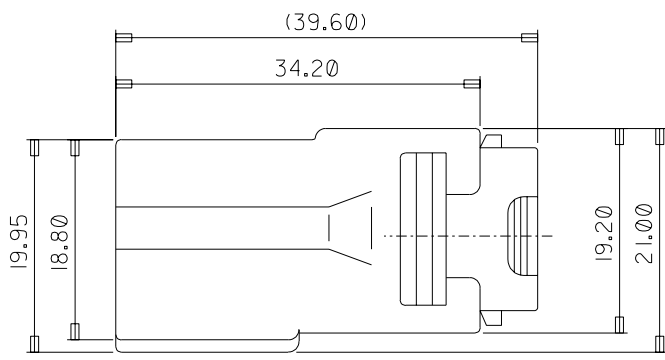
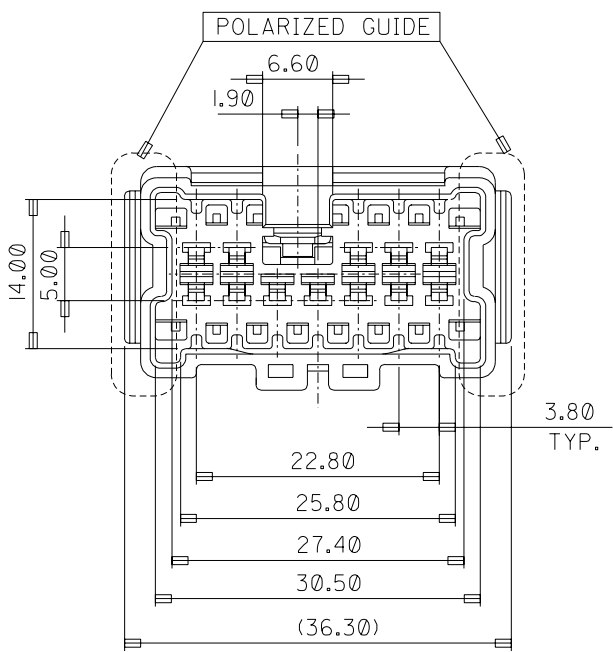


35282-1215 (GRAY)

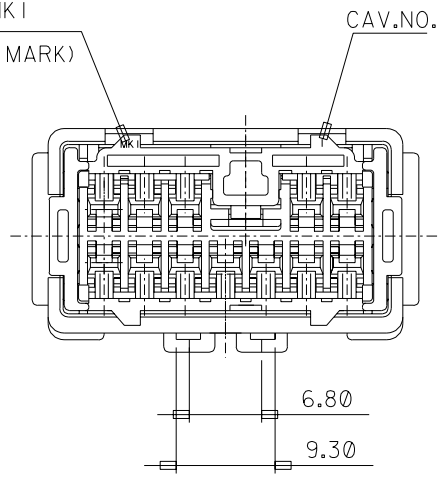


35282-1217 (BROWN)

POLARIZED GUIDE DIM'S



MKI
(TRADE MARK)



	PART NO.	PART NAME	MATERIAL
①	35282-129*	UNICONN MALE HOUSING-12P	PBT
②	35283-1281	UNICONN MALE TPA-12P	PBT, BLACK

REVISED EC NO. KOR2003-0057 DRWN: S.M.KIM 03/09/20 CHK: B.C.YOON 03/09/20 APPR: C.M.LEE	QUALITY SYMBOLS MAJOR CRITICAL	GENERAL TOLERANCES: UNLESS SPECIFIED: 4 PLACES ±0.10 mm ±.005 INCH 3 PLACES ±0.15 mm ±.006 INCH 2 PLACES ±0.20 mm ±.008 INCH 1 PLACE ±0.30 mm ±.012 INCH	SCALE: 1:1 DESIGN UNITS: <input checked="" type="checkbox"/> mm <input type="checkbox"/> INCH	DIMENSIONS: <input type="checkbox"/> mm <input checked="" type="checkbox"/> INCH <input type="checkbox"/> mm ONLY SHT REV REVISE ON CAD ONLY
		DRAWN BY & DATE: W.Y. YANG, 97/11/17 CHECKED BY & DATE: B.K. CHOI, 97/11/17 APPROVED BY & DATE: C.W. LEE, 97/11/17	TITLE: UNICONN MALE ASS'Y-12P MOLEX INCORPORATED	CAD FILENAME: SD2821210.DGN MATERIAL NO. SEE TABLE DRAWING NO. SD 35282-1210 SHEET NO. 1/1 SIZE C
DRAFT WHERE APPLICABLE MUST REMAIN WITHIN DIMENSIONS		THIS DRAWING CONTAINS INFORMATION THAT IS PROPRIETARY TO MOLEX INCORPORATED AND SHOULD NOT BE USED WITHOUT WRITTEN PERMISSION.		MX-A2