

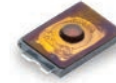
KXT Series Ultra Low Profile Top Actuated

Features

- 3.0 x 2.0 mm footprint
- 0.58 mm thickness
- High number of cycle

Typical Applications

- Wearable electronics
- In-Ear headphones, Earbuds
- Mobile Phones
- Portable Electronics
- Hearing Aids



B

Tactile Switches

Specification

FUNCTION: momentary action
 CONTACT ARRANGEMENT: 1 make contact = SPST, N.O.
 TERMINALS: G type for SMT
 TRAVEL: 0.13 mm ± 0.05 mm

Mechanical

	Operating force gf	Operating Life
KXT 111 LHS	100 ± 30	300,000
KXT 121 LHS	180 ± 50	300,000
KXT 131 LHS	240 ± 70	300,000

Electrical

MAXIMUM VOLTAGE: 12 VDC
 MAXIMUM CURRENT DC: 50 mA
 DIELECTRIC STRENGTH: 100 V AC (1mn)
 CONTACT RESISTANCE: ≤ 500 mΩ
 INSULATION RESISTANCE: ≥ 100 MΩ
 BOUNCE TIME: ≤ 10 ms

Environmental

OPERATING TEMPERATURE: -30°C to 85°C
 STORAGE TEMPERATURE: -40°C to 90°C

Process

SOLDERING: This component is suited to the following methods:
 Infrared Reflow Soldering in accordance with IEC61760-1

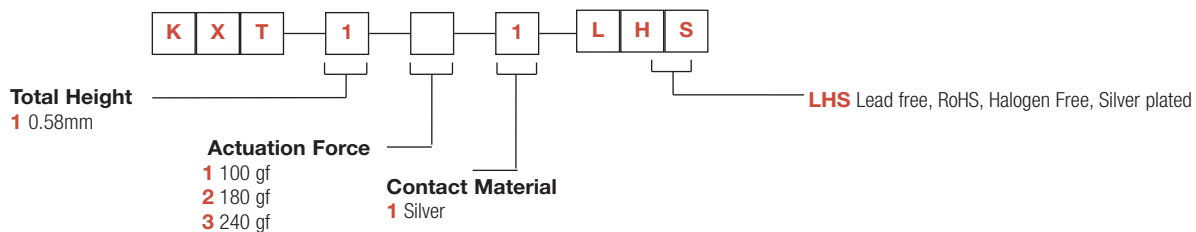
Packaging

In reels of 17,000 pieces
 Dimensions of reels according to EIA 481B
 External diameter 330 mm

NOTE: Specifications listed above are for switches with standard options.
 For information on specific and custom switches, consult Customer Service Center.

Part Number Description

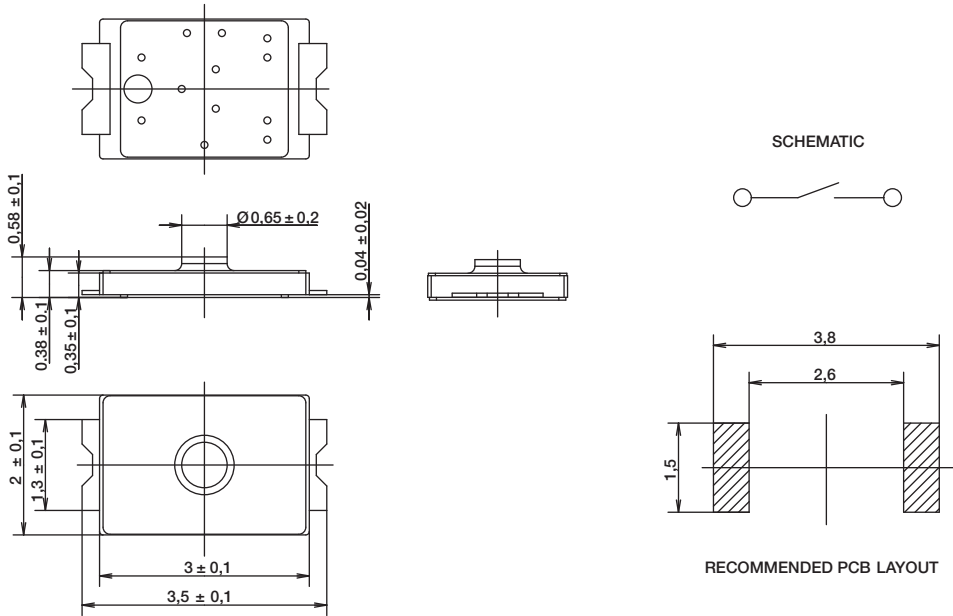
For any part number different from those listed above, please consult your local representative.



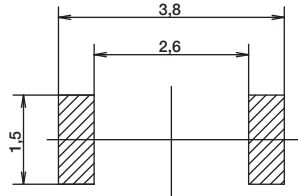
KXT Series Ultra Low Profile Top Actuated

Tactile Switches

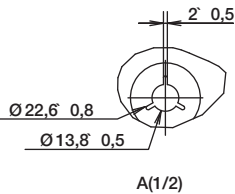
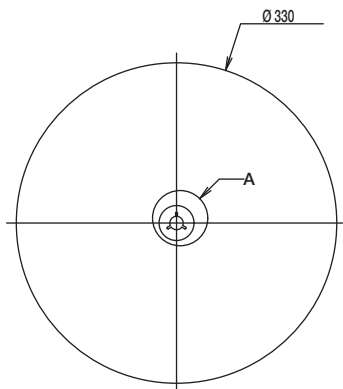
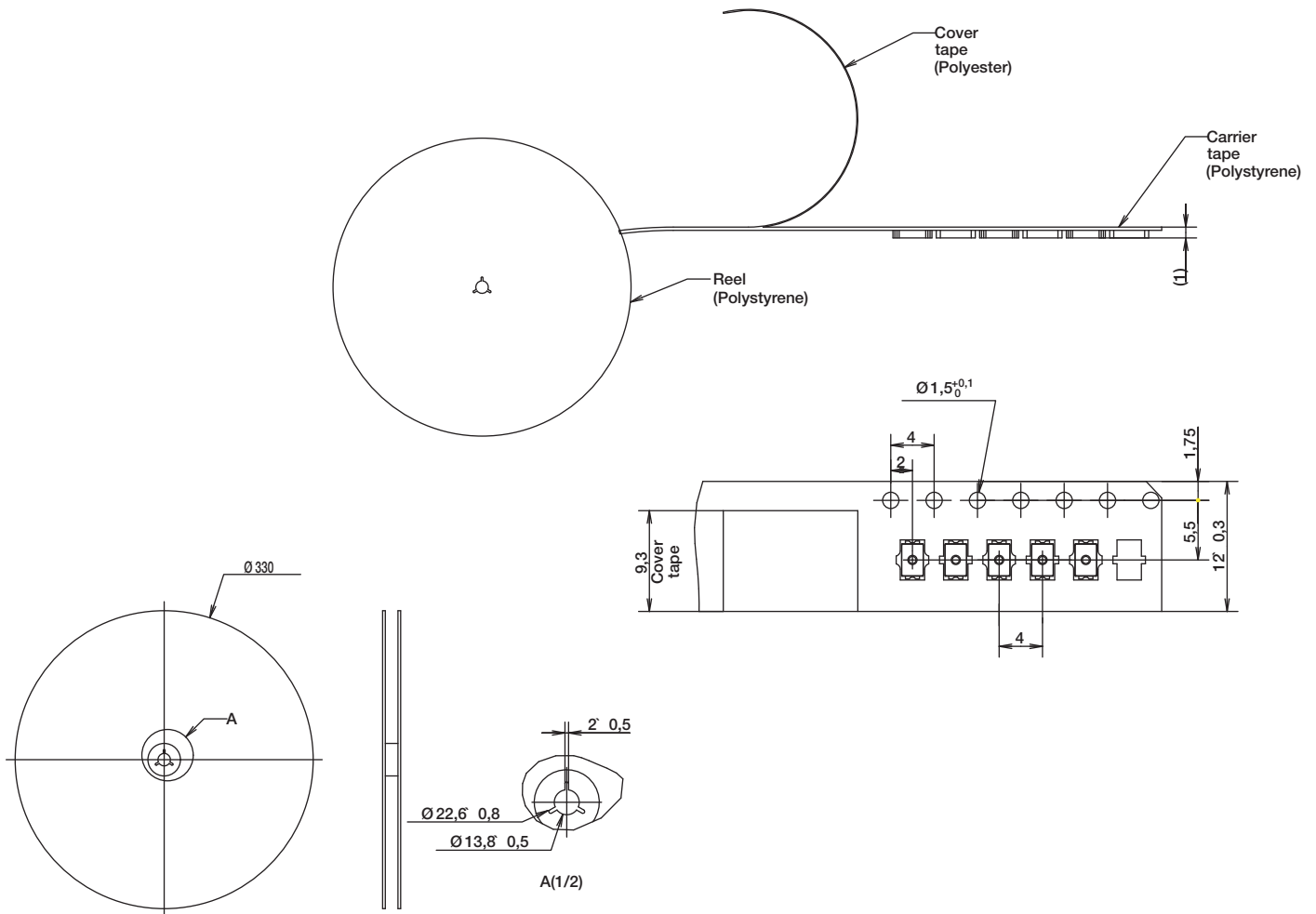
B



SCHEMATIC



RECOMMENDED PCB LAYOUT



Dimensions are shown: mm
Specifications and dimensions subject to change