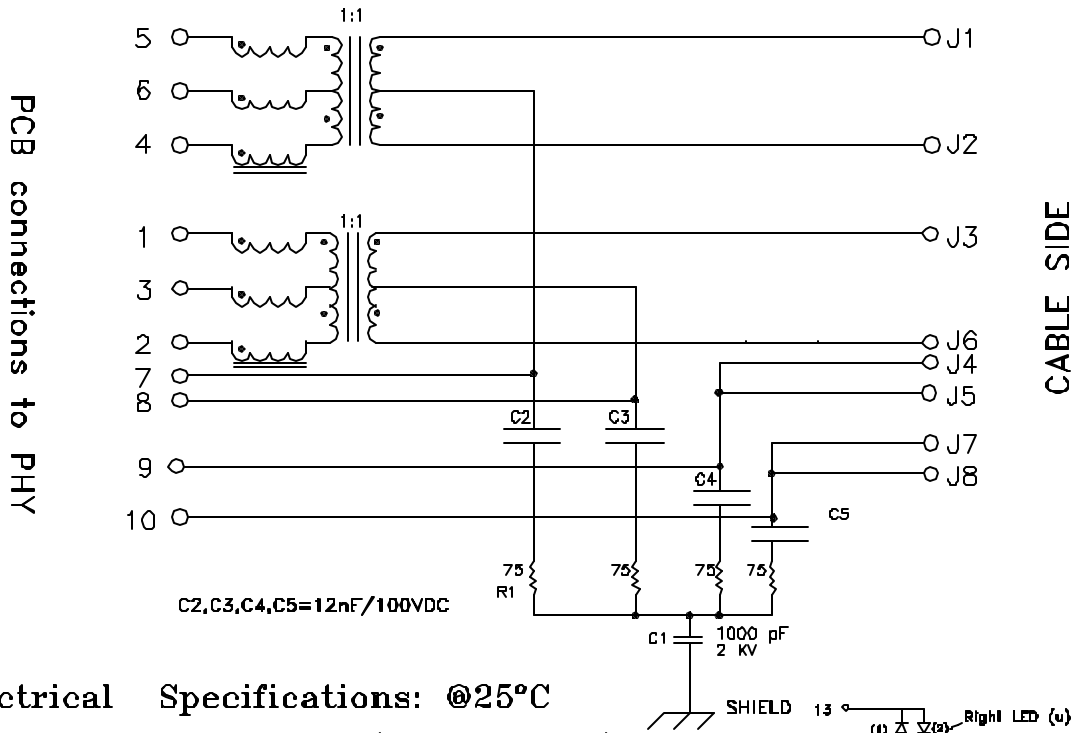


Schematic:



Electrical Specifications: @25°C

Isolation Voltage: 1500 VAc (Input to Output)

Turns Ratio: TX 1CT:1CT ±3% RX 1CT:1CT ±3%

OCL: 350uH Minimum @100KHz 100mV 24mADC

Insertion Loss: -1.0dB TYP @0.1-100 MHz

Insertion Loss: -1.70 dB Max @100-125 MHz

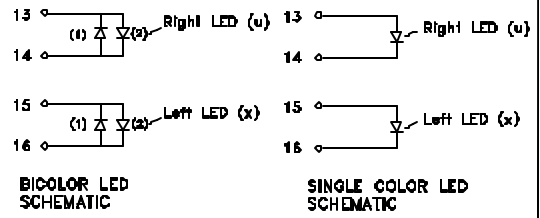
Return Loss: 1-30MHz 40MHz 50MHz 60-80MHz
 -16.0dB(Typ) 14.0dB(Typ) 13.0dB(Typ) 12.0dB(Typ)

Cross Talk: 0.1-100MHz 27.0 dB Min

Common Mode Rejection: 0.1-100MHz 30.0 dB Min

DC Current: 720mA

Q :18 Min @100KHz 0.1V



Complete the Combo P/N as follows:

Replace 'x' & 'u' in the part number with one of the LED color letters:
 Y=Yellow 'x' = Left LED Color
 G=Green 'u' = Right LED Color
 A=Amber
 R=Red

C=Green(1)/Amber(2) Bicolor
 D=Amber(1)/Green(2) Bicolor
 M=Green(1)/Yellow(2) Bicolor
 N=Yellow(1)/Green(2) Bicolor
 P=Red(1)/Green(2) Bicolor
 Q=Green(1)/Red(2) Bicolor
 E=Red(1)/Yellow(2) Bicolor
 F=Yellow(1)/Red(2) Bicolor
 H=Amber(1)/Yellow(2) Bicolor
 J=Green(1)/Green(2) Bicolor

Single Color LED: Bi-Color LED:

Notes:

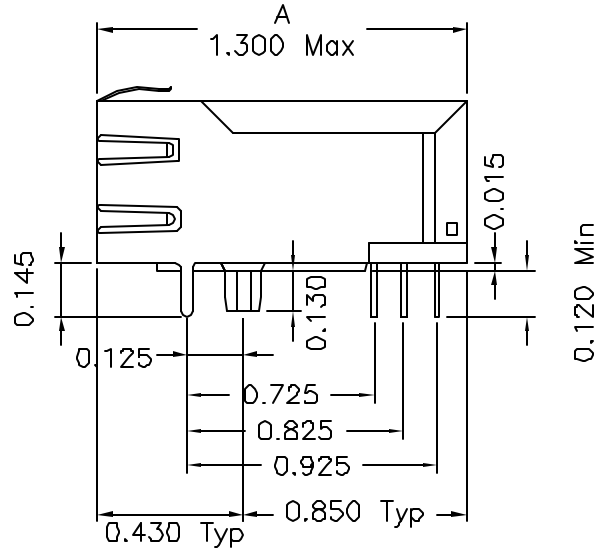
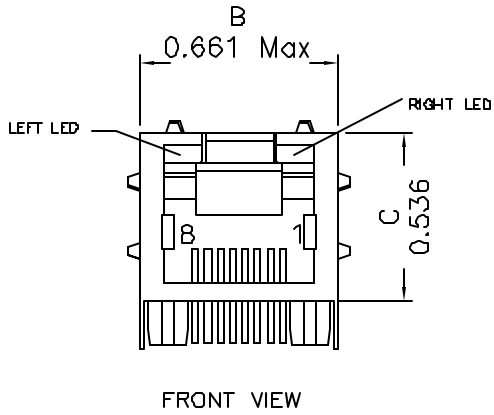
- Solderability: Leads shall meet MIL-STD-202G, Method 208H for solderability.
- Flammability: UL94V-0
- ASTM oxygen index: > 28%
- Insulation System: Class F 155°C. UL file E151556
- Operating Temperature Range: All listed parameters are to be within tolerance from 0°C to +70°C
- Storage Temperature Range: -55°C to +125°C
- Aqueous wash compatible
- Electrical and mechanical specifications 100% tested
- RoHS Compliant Component

DOC. REV: A/3

XFMS Inc www.XFMS.com	Title: SINGLE PORT POE+ COMBO		
	P/N: XFPOEP1-CTxu1-4L		REV. A
UNLESS OTHERWISE SPECIFIED TOLERANCES: .xxx ±0.010 Dimensions in Inch	DWN.	Xianyí	Jul-08-09
SHEET 1 OF 2	CHK.	YK Liao	Jul-08-09
APP.	Joe Huff	Jul-08-09	Jul-08-09

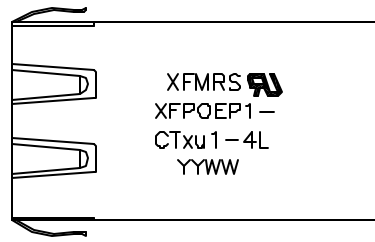
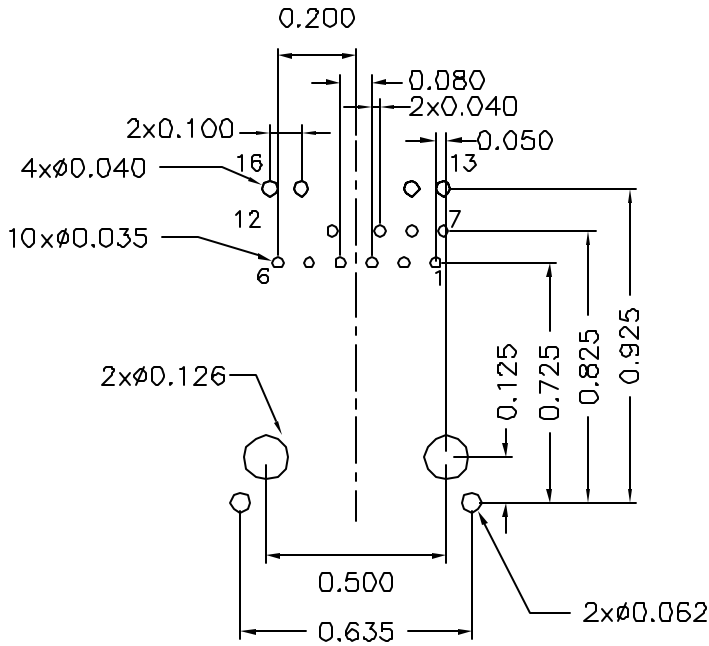
PROPRIETARY:
 Document is the property of XFMS Group & is not allowed to be duplicated without authorization.

Mechanical Dimensions:

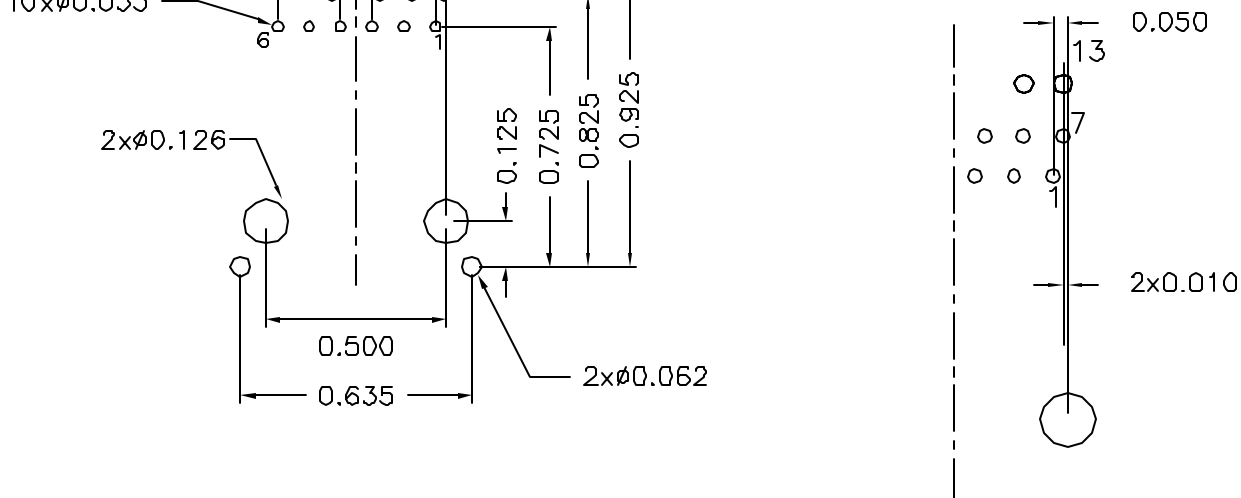


***Remove PIN#11&12

Mounting Pattern:



TOP VIEW



DOC REV: A/3

XFMRS Inc www.XFMRS.com	Title: Mechanical Dimensions For TAB UP RJ45 COMBO	
	P/N: XFP0EP1-CTxu1-4L	REV. A
UNLESS OTHERWISE SPECIFIED TOLERANCES: .xxx ±0.010 Dimensions in Inch	DWN.	Xianyi
	CHK.	YK Liao
SHEET 2 OF 2	APP.	Joe Huff

PROPRIETARY:

Document is the property of XFMRS Group & is not allowed to be duplicated without authorization.