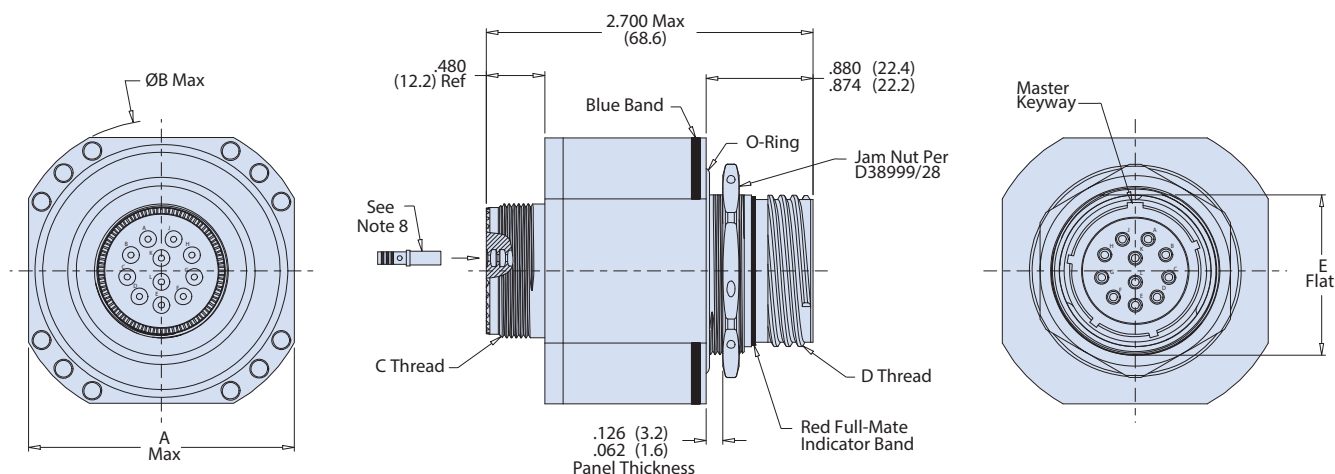




242-383S MIL-DTL-38999 Series III Type TVS Connector Jam Nut Receptacle with Crimp Contacts

D38999 SERIES III TYPE TVS JAM NUT RECEPTACLE WITH CRIMP CONTACTS

| How To Order | |
|------------------------|--|
| Sample Part Number | 242-383 S -XXXX NF 19-11 P C N N |
| TVS Connector | MIL-DTL-38999 Series III |
| Shell Style | S = Jam Nut Receptacle |
| Diode Net List | Assigned by Glenair. See Table V |
| Material and Finish | See Table II |
| Insert Arrangement | IAW MIL-STD-1560 |
| Contact Gender | P = Pin S = Socket |
| Termination | C = Crimp |
| Flange Mounting Style | N = Not Applicable |
| Alternate Key Position | A, B, C, D, E, N = Normal, U = Universal (Do not mate Universal with Universal receptacle) |



Notes

- Materials/Finishes: Shell Housing & Jam Nut: See Table II
Ground Spring: Beryllium Copper Alloy/Electroless Nickel
Insulators: High grade rigid dielectric
Seals: Fluorosilicone
Contacts: Copper Alloy/Gold over Nickel per ASTM B 488
- Assembly to be identified with Glenair's name, part number, and date code - space permitting.
- Insert Arrangement in accordance with MIL-STD-1560. (Arrangement shown for reference only)
- Electrical Performance: Specific diode voltage code options per Table III. Diode wattage based on 10 x 1000 uS peak pulse power waveform.

Clamping Time: Less than 1 picosecond, 0V to min. breakdown.

- Glenair will assign a diode net list code and provide a separate net list drawing containing specific electrical requirements. Fill out applicable columns of Table V and return.
- Consult factory for low capacitance, ground requirements, power ratings above 5000W, special test requirements, or other modifications.
- Operating temperature: -55°C to +150°C
- Crimp removable contacts to conform to M39029/57-359 Size #12, M39029/57-358 Size #16, M39029/57-357 Size #20, and M39029/57-354 Size #22D (supplied loose)

Dimensions in inches (millimeters) and are subject to change without notice.

242-383S
MIL-DTL-38999 Series III Type TVS Connector
Jam Nut Receptacle with Crimp Contacts

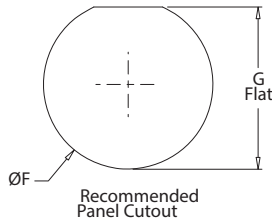
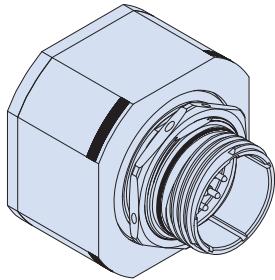
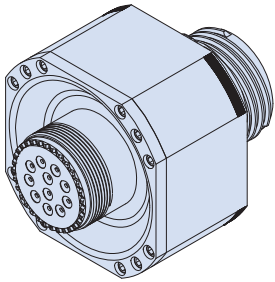


Table II: Material and Finish

| Sym | Material | Finish Description |
|-----|-----------------|--|
| ME | Aluminum | Electroless Nickel |
| MT | | Ni-PTFE 1000 Hour Grey™ Nickel Fluorocarbon Polymer |
| NF | | Cadmium O.D. Over Electroless Nickel |
| ZN | | Zinc-Nickel, Olive Drab |
| ZNU | | Zinc Nickel, Black |
| ZR | | Zinc Nickel, Black - RoHS |
| ZL | Stainless Steel | Electro-Deposited Nickel |

Table I: Dimensions

| Shell Size | A Max | ØB Max | C Thread | D Thread | E Flat ±.005 (±.013) | Ø F ±.005 (±.013) | G Flat ±.005 (±.013) |
|------------|--------------|--------------|---------------------|----------------------|-------------------------|----------------------|-------------------------|
| 9 | 1.000 (25.4) | 1.300 (33.0) | M12 X 1.0-6g 0.100R | .6250-.1P-.3L-TS-2A | .650 (16.5) | .705 (17.9) | .665 (16.9) |
| 11 | 1.400 (35.6) | 1.700 (43.2) | M15 X 1.0-6g 0.100R | .7500-.1P-.3L-TS-2A | .750 (19.1) | .830 (21.1) | .766 (19.5) |
| 13 | 1.700 (43.2) | 2.000 (50.8) | M18 X 1.0-6g 0.100R | .8750-.1P-.3L-TS-2A | .937 (23.8) | 1.015 (25.8) | .950 (24.1) |
| 15 | 1.700 (43.2) | 2.000 (50.8) | M22 X 1.0-6g 0.100R | 1.0000-.1P-.3L-TS-2A | 1.063 (27.0) | 1.140 (29.0) | 1.080 (27.4) |
| 17 | 2.000 (50.8) | 2.300 (58.4) | M25 X 1.0-6g 0.100R | 1.1875-.1P-.3L-TS-2A | 1.186 (30.1) | 1.265 (32.1) | 1.205 (30.6) |
| 19 | 2.200 (55.9) | 2.500 (63.5) | M28 X 1.0-6g 0.100R | 1.2500-.1P-.3L-TS-2A | 1.311 (33.3) | 1.390 (35.3) | 1.330 (33.8) |
| 21 | 2.300 (58.4) | 2.600 (66.0) | M31 X 1.0-6g 0.100R | 1.3750-.1P-.3L-TS-2A | 1.436 (36.5) | 1.515 (38.5) | 1.455 (37.0) |
| 23 | 2.600 (66.0) | 2.900 (73.7) | M34 X 1.0-6g 0.100R | 1.5000-.1P-.3L-TS-2A | 1.561 (39.6) | 1.640 (41.7) | 1.580 (40.1) |
| 25 | 2.900 (73.7) | 3.200 (81.3) | M37 X 1.0-6g 0.100R | 1.6250-.1P-.3L-TS-2A | 1.686 (42.8) | 1.765 (44.8) | 1.705 (43.3) |

Dimensions in inches (millimeters) and are subject to change without notice.