

PLEASE CHECK WWW.MOLEX.COM FOR LATEST PART INFORMATION

Part Number: [1050481001](#)
Status: **Active**
Description: 2.54mm (.100") SIM Card Connector, 6 Circuits, SMT, with Guide Rail, Housing Height 1.45mm (.057"), Lead Free

Documents:

[Drawing \(PDF\)](#) [RoHS Certificate of Compliance \(PDF\)](#)
[Product Specification PS-105048-001 \(PDF\)](#)

General

Product Family	Memory Card Sockets
Series	105048
Button Type	N/A
Component Type	Card Holder (Host)
Product Name	SIM
Type	N/A

Physical

Card Detection Switch	No
Circuits (Loaded)	6
Circuits (maximum)	6
Color - Resin	Black
Durability (mating cycles max)	5,000
Ejector Button Side	No Ejector Button Present
Entry Angle	Horizontal
Keying to Mating Part	Yes
Material - Metal	Stainless Steel
Material - Plating Mating	Gold
Material - Plating Termination	Gold
Material - Resin	High Temperature Thermoplastic
PCB Locator	No
PCB Mounting Side	Normal
PCB Retention	Yes
Packaging Type	Embossed Tape on Reel
Pitch - Mating Interface (in)	0.100 In
Pitch - Mating Interface (mm)	2.54 mm
Pitch - Term. Interface (in)	0.100 In
Pitch - Term. Interface (mm)	2.54 mm
Plating min: Mating (µin)	15
Plating min: Mating (µm)	0.38
Plating min: Termination (µin)	3
Plating min: Termination (µm)	0.076
Ports	1
Temperature Range - Operating	-40°C to +85°C
Termination Interface: Style	Surface Mount

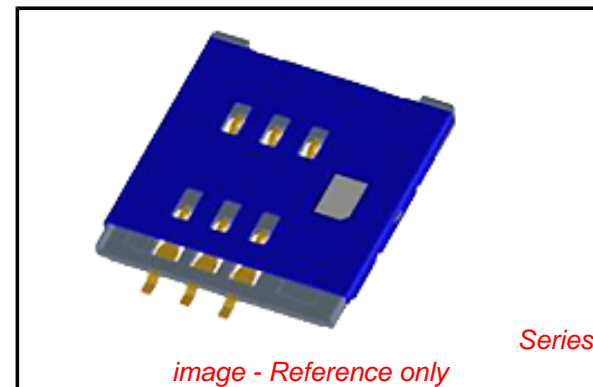
Electrical

Current - Maximum per Contact	0.5A
Shielded	Yes
Voltage - Maximum	5V DC

Material Info

Reference - Drawing Numbers

Product Specification	PS-105048-001
Sales Drawing	SD-105048-101



EU RoHS

**ELV and RoHS
Compliant**
REACH SVHC
 Not Reviewed
**Halogen-Free
Status**
 Not Reviewed

China RoHS



**Need more information on product
environmental compliance?**

Email productcompliance@molex.com
 For a multiple part number RoHS Certificate of Compliance, [click here](#)

Please visit the [Contact Us](#) section for any non-product compliance questions.

Search Parts in this Series

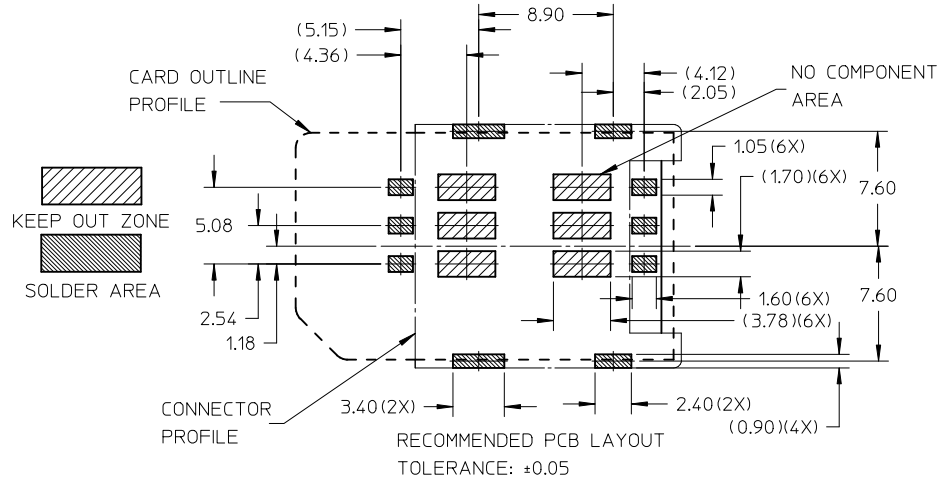
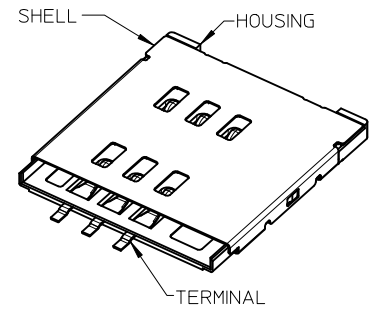
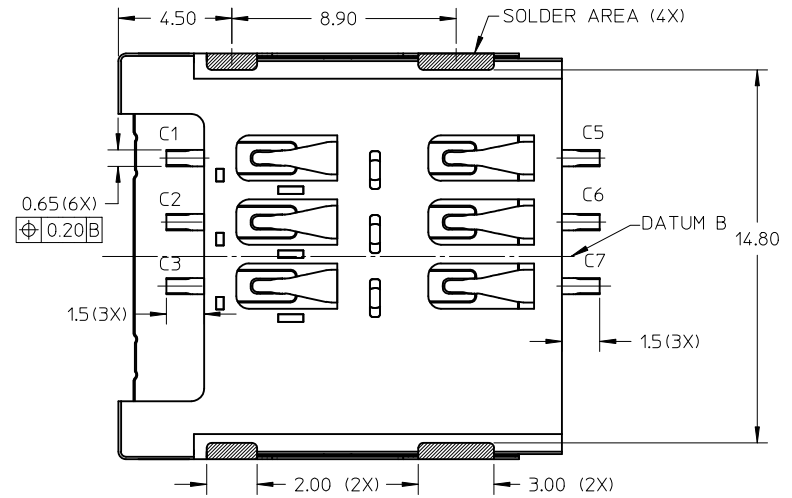
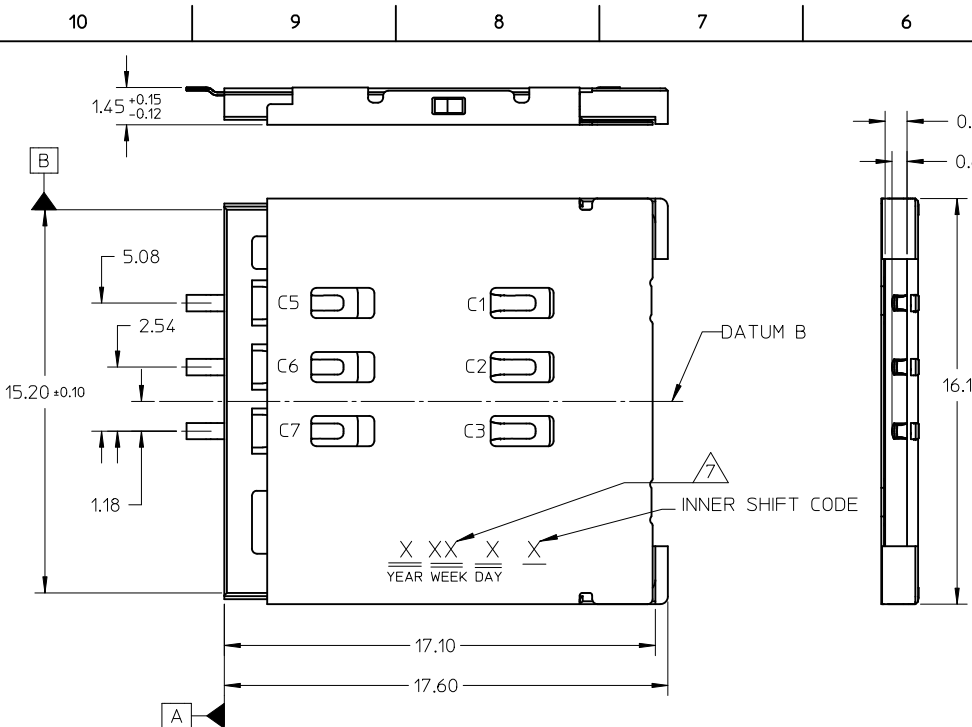
[105048Series](#)

Mates With

Standard SIM Card

This document was generated on 05/18/2010

PLEASE CHECK WWW.MOLEX.COM FOR LATEST PART INFORMATION



NOTE:
 1 MATERIAL
 HOUSING : LIQUID CRYSTALLINE POLYMER (LCP), GLASS FILLED UL94V-0, COLOR: BLACK
 TERMINAL: PHOSPHOR BRONZE
 SHELL : STAINLESS STEEL
 2 FINISHES
 TERMINAL: 0.375um (15u") MIN GOLD ON CONTACT AREA
 0.0762 - 0.127um (3 - 5u") GOLD FLASH ON SOLDERTAILS
 1.27um (50u") MIN NICKEL UNDERPLATE OVER ALL
 SHELL : 0.0762um (3u") MIN GOLD FLASH OVER 1.27UM (50u") MIN NICKEL UNDERPLATE ON SOLDER AREAS
 3 PRODUCT SPECIFICATION: PS-105048-001
 4 PACKAGING SPECIFICATION: PK-105048-001
 5 ALL SOLDERTAILS COPLANARITY: 0.08mm MAX
 6 COMPLIANT TO RoHS DIRECTIVE 2002/95/EC & ELV DIRECTIVE 2000/53/EC
 7 DATE CODE * * * * (4 DIGITS)

MODIFIED SHELL EC NO: S2010-0862 DRW:KHLIM CHKD:JTAN APPR:SKTOH	2010/04/13	2010/05/04	2010/06/02
	DESCRIPTION		
	QUALITY SYMBOLS		
	REV		

GENERAL TOLERANCES (UNLESS SPECIFIED)	mm	INCH
	4 PLACES ± ---	± ---
	3 PLACES ± ---	± ---
	2 PLACES ± 0.15	± ---
	1 PLACE ± 0.20	± ---
	ANGULAR ± 3 °	
DRAFT WHERE APPLICABLE MUST REMAIN WITHIN DIMENSIONS		

DIMENSION STYLE MM ONLY		SCALE NTS	DESIGN UNITS METRIC	THIRD ANGLE PROJECTION
DRAWN BY JXYONG	DATE 2010/01/04	TITLE		
CHECKED BY FCS00	DATE 2010/02/05	SIM CONNECTOR 6 PINS WITH GUIDE RAIL 1.45MM HEIGHT		
APPROVED BY KHLIM	DATE 2010/02/11	MOLEX INCORPORATED		
MATERIAL NO. 1050481001	DOCUMENT NO. SD-105048-101	SHEET NO. 1 OF 1		

THIS DRAWING CONTAINS INFORMATION THAT IS PROPRIETARY TO MOLEX INCORPORATED AND SHOULD NOT BE USED WITHOUT WRITTEN PERMISSION	
---	--