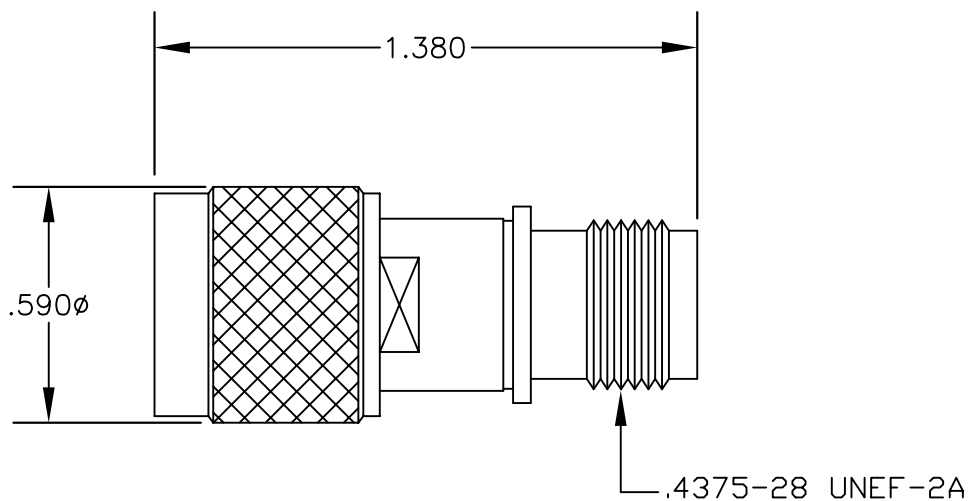


**MATERIALS**

<b>BODY</b>	<b>BRASS NICKEL PLATED</b>
<b>CONTACT</b>	<b>GOLD PLATED</b>
<b>INSULATOR</b>	<b>PTFE</b>



SPECIFICATIONS

FREQUENCY RANGE: DC TO 2,000 MHz

ATTENUATION: 6 dB

IMPEDANCE: 50 OHMS

ACCURACY: 1,000 MHz, ±.5 dB

2,000 MHz, ±8 dB

VSWR: 1,000 MHz, 1.20:1 MAXIMUM

2,000 MHz, 1.40:1 MAXIMUM

AVG. POWER HANDLING CAPABILITY: 1 WATT



**PASTERNACK ENTERPRISES, INC.**

P.O BOX 16759, IRVINE, CA 92623  
PHONE (949) 261-1920 FAX (949) 261-7451

WEB ADDRESS: [www.pasternack.com](http://www.pasternack.com)  
E-MAIL ADDRESS: [sales@pasternack.com](mailto:sales@pasternack.com)

**COAXIAL & FIBER OPTICS**

DWG TITLE

**PE7003-6**

DES.

TNC ATTENUATOR, MALE TO FEMALE  
FREQUENCY RANGE: DC TO 2,000 MHz

SIZE A

**FSCM NO. 53919**

CAD FILE 092305

SCALE N/A

127

**NOTES:**

1. UNLESS OTHERWISE SPECIFIED ALL DIMENSIONS ARE NOMINAL.
2. ALL SPECIFICATIONS ARE SUBJECT TO CHANGE WITHOUT NOTICE AT ANY TIME.