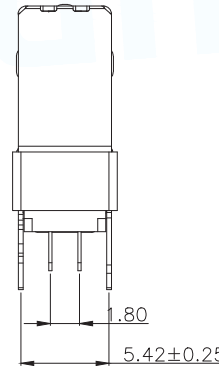
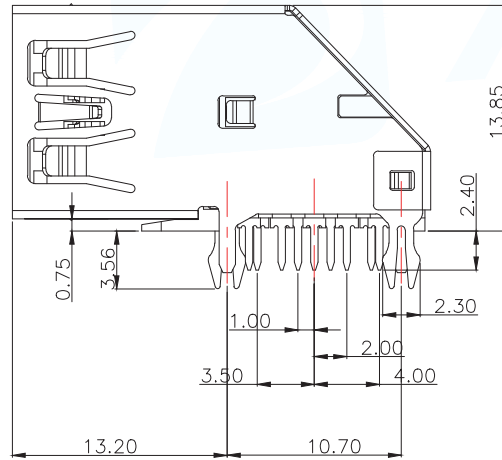
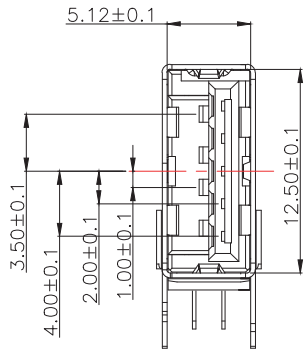
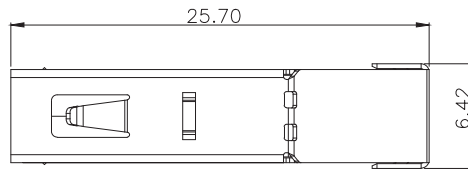
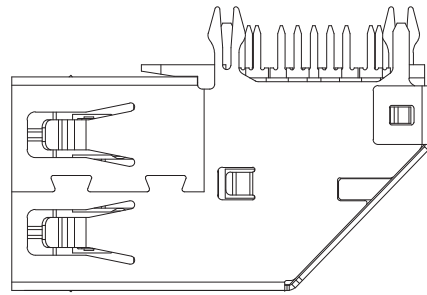


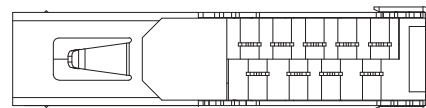
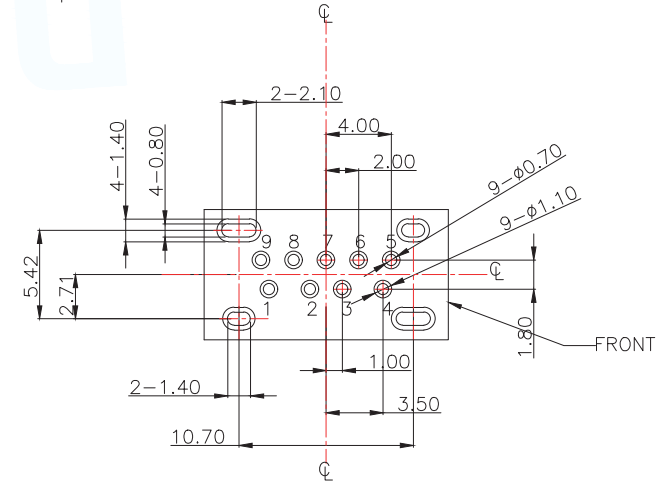
12	13	14	15
MAPX	MODIFICATION	DATE	DRAW



**SPECIFICATIONS:**  
 Contact current Rating:  
 1.8 Amperes for pin1&pin4.  
 0.25 Amperes other contacts  
 Dielectric Withstanding Voltage:AC 100V(RMS)  
 Insulation resistance:100Megohms Minimum.  
 Contact Resistance:  
 30mΩ Max for pin1&pin4  
 50mΩMax for other contacts  
 Mechanical Characteristics:  
 Mating Force:35 Newtons.Maximum  
 Unmating Force:10 Newtons.Mlimum.  
 8N Min After Durability

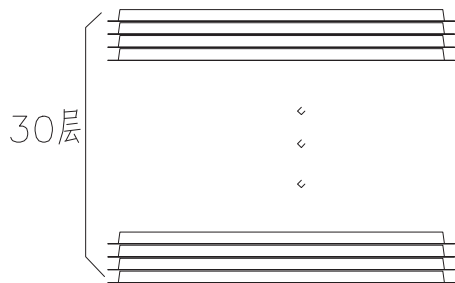
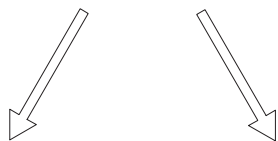
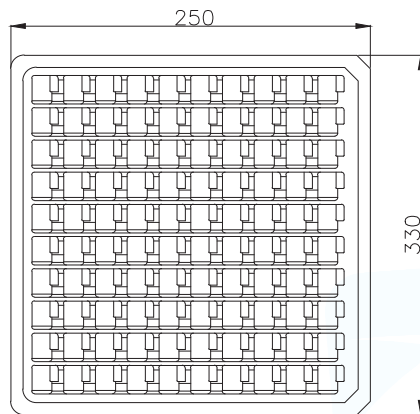
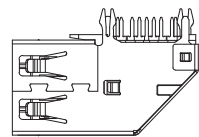
**MATERIAL:**  
 Housing: PBT Blue UL94V-0  
 Contact: copper alloy( T=0.20mm)  
 Shell: SUS

**PLATING:**  
 Contact: Gold Falsh Plated on contact area  
 Tin Plated on solder area  
 Nickel underplating over all  
 Shell: Nickel Plated  
 operating Temperature:-55\*to+85\*

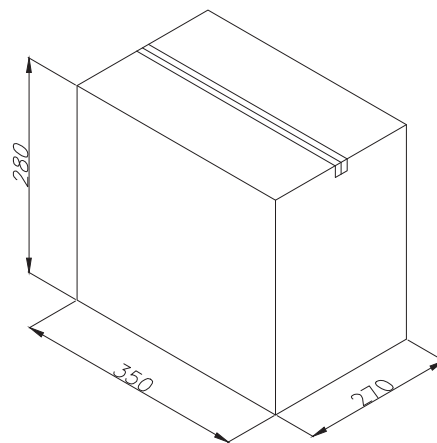
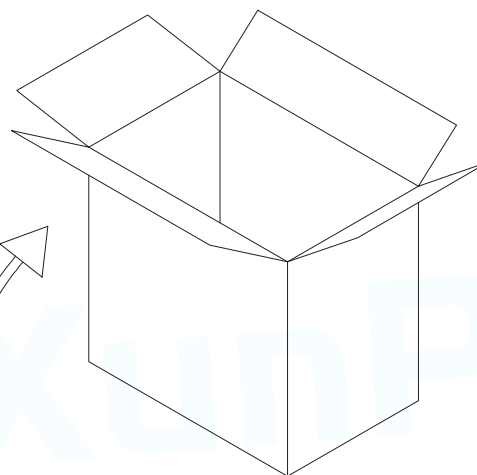


Pin Number	Signal Name	Pin Number	Signal Name
1	VBUS	5	StdA_SSRX-
2	D-	6	StdA_SSRX+
3	D+	7	GND_DRAIN
4	GND	8	StdA_SSTX-
Shell	Shield	9	StdA_SSTX+

MANUFACTURE DWG		东莞市讯普电子科技有限公司 DongGuan XunPu Electronics Co.,Ltd	
UNLESS OTHERWISE SPECIFIED TOLERANCES			TITLE: USB 3.0 AF 侧插90度 无卷边
DECIMALS:	ANGLES:		PAR USB-304CD-ARW
.X:±0.30	.X':±3°		DWN
.XX:±0.20	.XX':±2°		CHKD
.XXX:±0.10		APVD	SCALE 1:1 UNIT:MM
CUSTOMER COPY		SIZE:A4	SHEET:1F1
			REV:A



每箱内放一排30层,共3000PCS产品.



适用以下产品包装:

USB 3.0 AF侧插90度  
USB 3.0 AF侧插90度B款 A包装

1. 将全检后的良品如图示摆入规格为330\*250mm的PVC透明吸塑盒中,每盒包装100PCS,摆好后,盖好上盖,贴上产品QC标签.
2. 将装好产品的吸塑盒分一排放入规格350\*270\*280mm的纸箱中,每排放30层,每箱装3000PCS.
3. 用透明胶封好纸箱,贴上相应标签,并加盖QC PASS章.
4. 客户有特殊要求时按客户要求来进行
5. 月份标签按月份标签粘贴作业规范进行

MANUFACTURE DWG		 东莞市讯普电子科技有限公司 DongGuan XunPu Electronics Co.,Ltd	
UNLESS OTHERWISE SPECIFIED TOLERANCES			TITLE: USB 3.0 AF 侧插90度 无卷边 包装
			PAR USB-304CD-ARW
			DWN
			CHKD
DECIMALS: .X:±0.30 .XX:±0.20 .XXX:±0.10	ANGLES: .X':±3" .XX':±2"	APVD	SCALE 1:1
		CUSTOMER COPY	UNIT:MM
			SIZE:A4
			SHEET:1F1
			REV:A